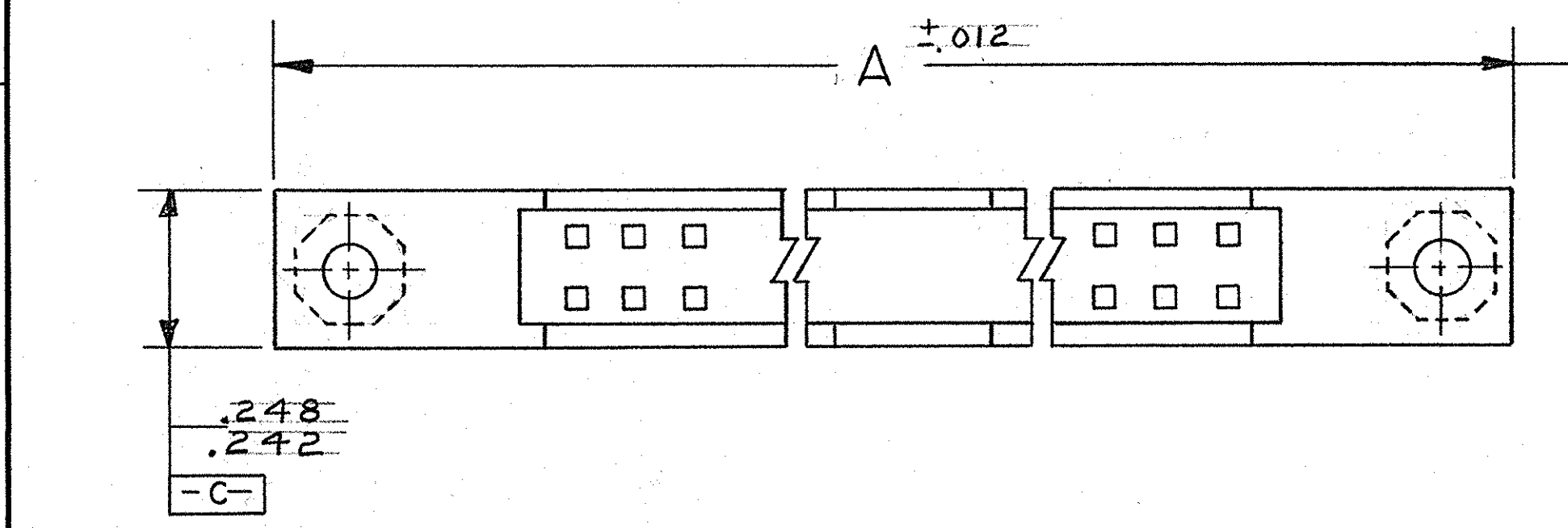
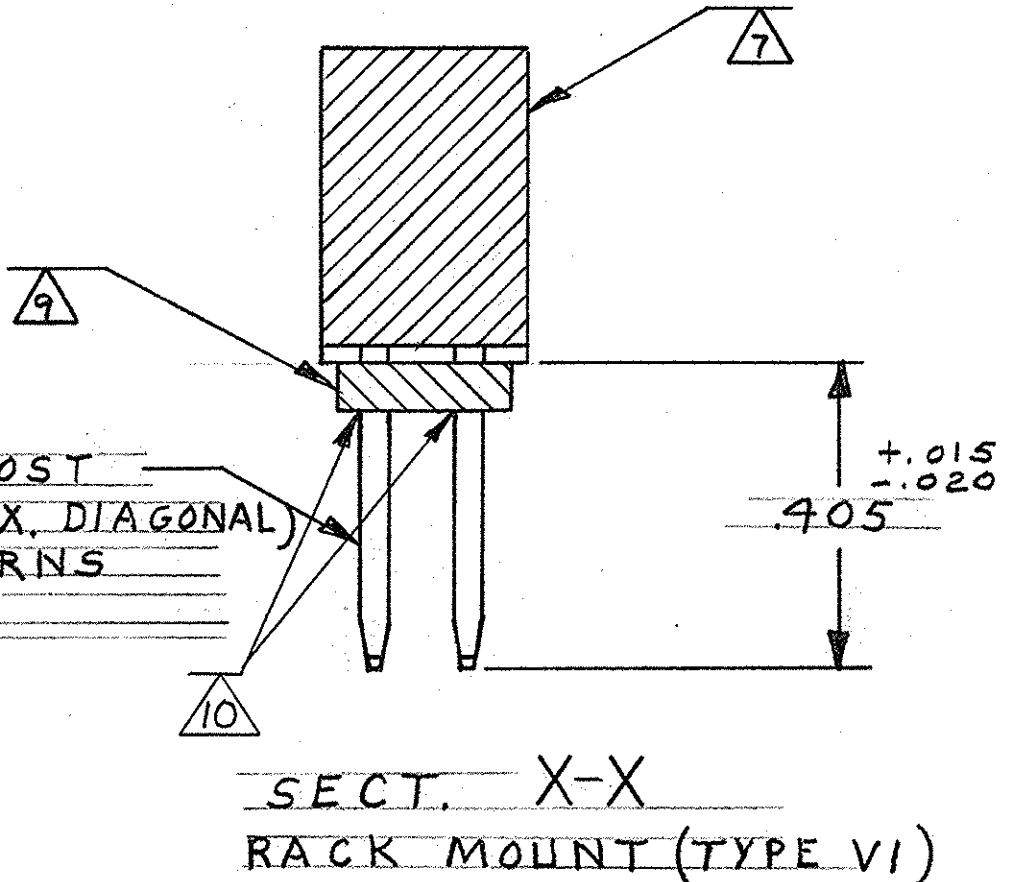
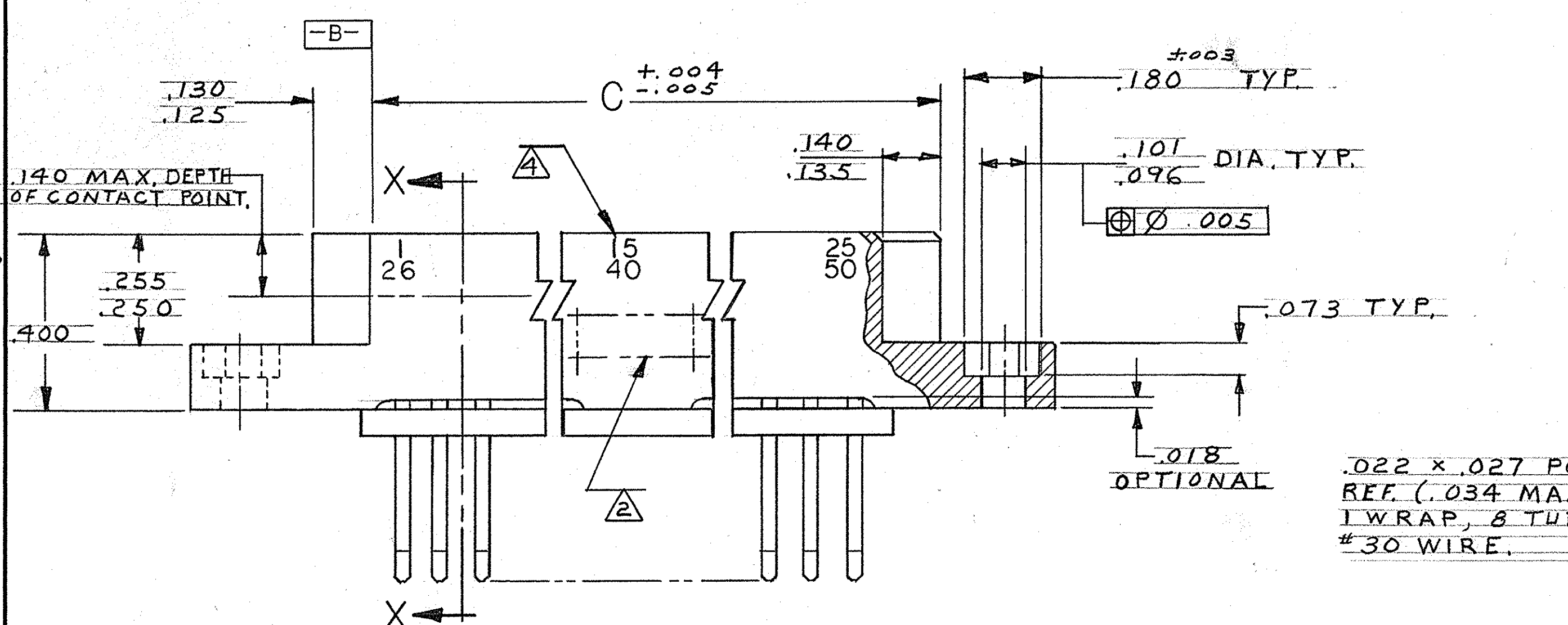
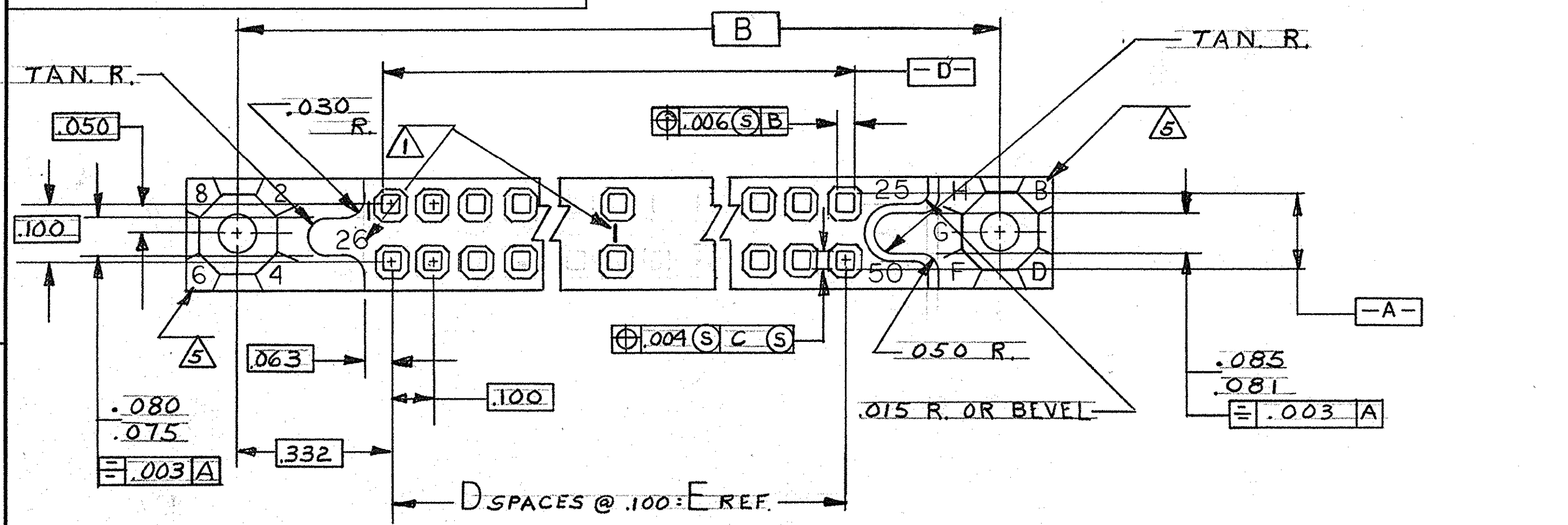


© COPYRIGHT 19 BY AMP INCORPORATED, HARRISBURG, PA. ALL INTERNATIONAL RIGHTS RESERVED. AMP INCORPORATED PRODUCTS COVERED BY U. S. AND FOREIGN PATENTS AND/OR PATENTS PENDING.

REVISIONS					
P	F	ZONE	LTR	DESCRIPTION	DATE APPROVED
			O1	REVISED 7070	12/12/80
			A	REV. PER ECN AB-0535	125-85 EAM
			B	REV PER DF-1942	T.W. 621-89 J. WARNER
			C	REV PER 0600-5859-96	TT 4-98
			D	REV PER ECO-05-013289	11-05 PY



UNLESS OTHERWISE SPECIFIED DIMENSIONS ARE IN INCHES. TOLERANCES ON: DECIMALS ±.005 ANGLES ±		CONTRACT NO DR <i>M. Smith</i> 5-2-80 CHK <i>Joseph Durbin</i> 5/9/80 APPD <i>Joseph Durbin</i> 5/8/80 APPD <i>E. Parsons</i> 5-12-80	PART NO AMP AMP INCORPORATED Harrisburg, Pa.	
MATERIAL 7 8 9	FINISH 8	DSGN APPD OTHER APPD	NAME BOX CONNECTOR, RECEPTACLE ASSY, .100 GRID EXTERNAL KEYING.	
		SIZE C	CODE 00779	IDENT NO 531843
		DRAWING NO 531843		SHEET 1 OF 2
		SCALE 4:1		

531843

© COPYRIGHT 19 BY AMP INCORPORATED, HARRISBURG, PA. ALL INTERNATIONAL RIGHTS RESERVED. AMP INCORPORATED PRODUCTS COVERED BY U. S. AND FOREIGN PATENTS AND/OR PATENTS PENDING.

REVISIONS				DATE	APPROVED
P	F	ZONE	LTR	DESCRIPTION	
✓	✓	D		(SEE SHEET 1)	

- 1. NUMBERS AND LINES INDICATING EVERY FIVE CAVITIES MARKED OR MOLDED ON MATING FACE.
- 2. AMP, PART NUMBER, CUSTOMER PART, AND DATE CODE MARKED OR MOLDED THIS SIDE. (SEE TABLE)
- 3. MUST MEET ALL APPLICABLE REQUIREMENTS OF MIL-C-55302.
- 4. NUMBERS INDICATING EVERY FIVE CAVITIES MARKED OR MOLDED ON SIDE.
- 5. KEY POSITION IDENTIFICATION MOLDED ON SURFACES AS SHOWN.
- 6. USE EXTERNAL KEY NUMBER 530341-1 MATES WITH PART NUMBER 530339.
- 7. HOUSING MATL.: DIALLYL PHTHALATE PER MIL-M-14 TYPE SDG-F, COLOR: BLUE.
- 8. CONTACT MATL.: BERYLLIUM COPPER, OR COPPER-NICKEL-SILICONE FINISH: .000050 GOLD OVER NICKEL.
- 9. POST STABILIZER MATL.: GLASS FILLED THERMOPLASTIC, FLAME RETARDANT, .060 THICK.
- 10. EPOXY ADDED TO AREA WHERE THE CONTACT POST EMERGE FROM THE STABILIZER TO INSURE POST TRUE POSITION.

↑	↑	-003	46	90 ⁴⁵	4.400	44	4.665	5.065	5.355	90	531843-3
		-002	36	70 ³⁵	2.400	24	2.665	3.065	3.355	50	531843-2
		9332250CN-7109386-001	16	30 ¹⁵	1.400	14	1.665	2.065	2.355	30	531843-1
CUSTOMER PART NUMBER		CONTACT IDENTIFICATION NO.		E	D	C	B	A	NO. OF CONTACTS		PART NO

UNLESS OTHERWISE SPECIFIED DIMENSIONS ARE IN INCHES. TOLERANCES ON: DECIMALS ±.005 ANGLES ±	CONTRACT NO		AMP AMP INCORPORATED Harrisburg, Pa.		
	DR	5-5-80			
	MATERIAL	CHK	NAME BOX CONNECTOR, RECEPTACLE ASSY, 100 GRID, EXTERNAL KEYING.		
	FINISH	APPD			
		DSGN APPD	SIZE	CODE IDENT NO	DRAWING NO
		OTHER APPD	C	00779	531843
			SCALE	SHEET 2	

531843

单击下面可查看定价，库存，交付和生命周期等信息

[>>TE Connectivity\(泰科\)](#)