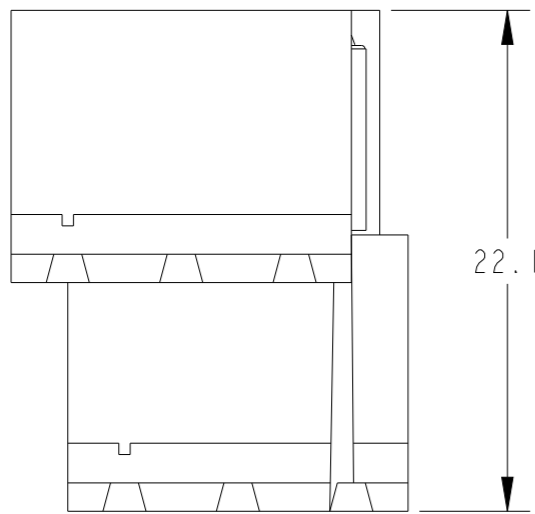
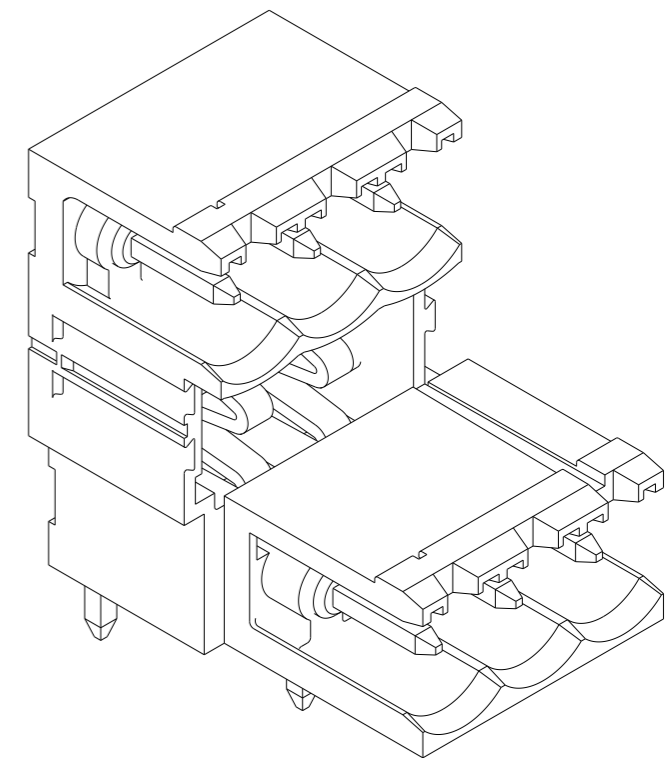


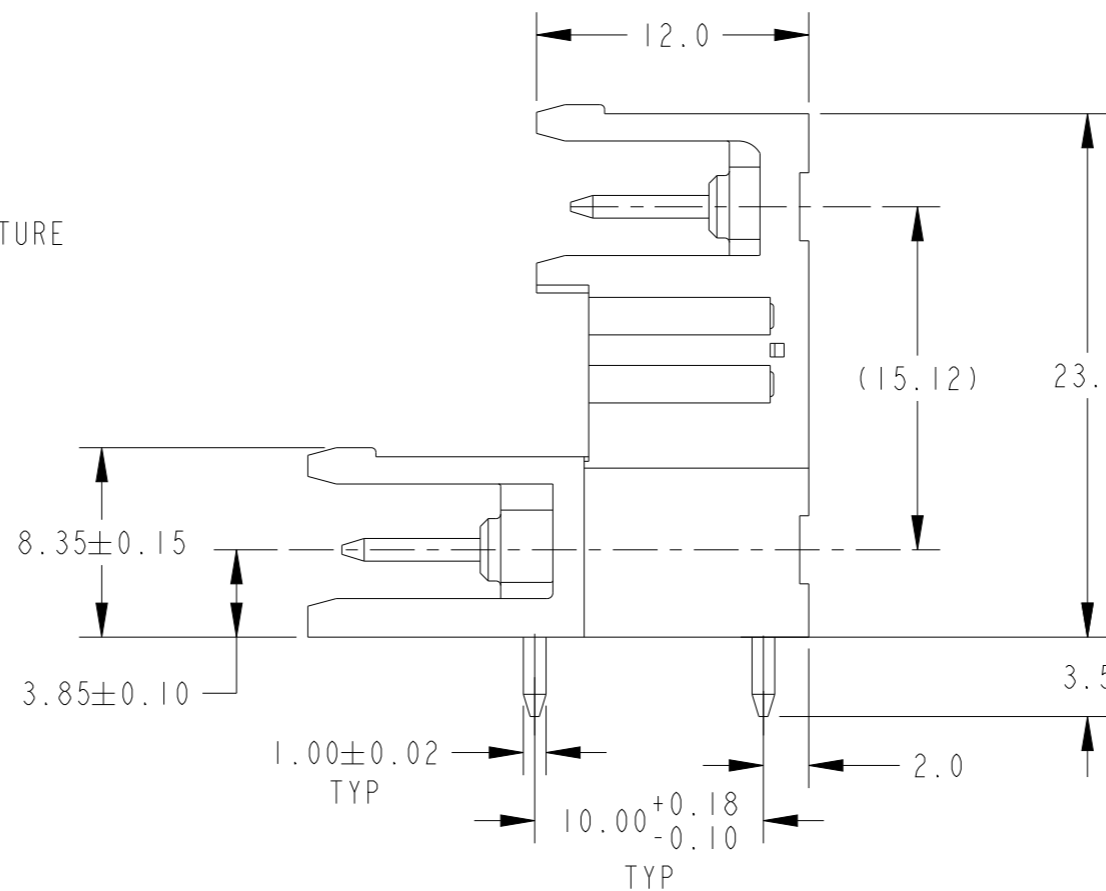
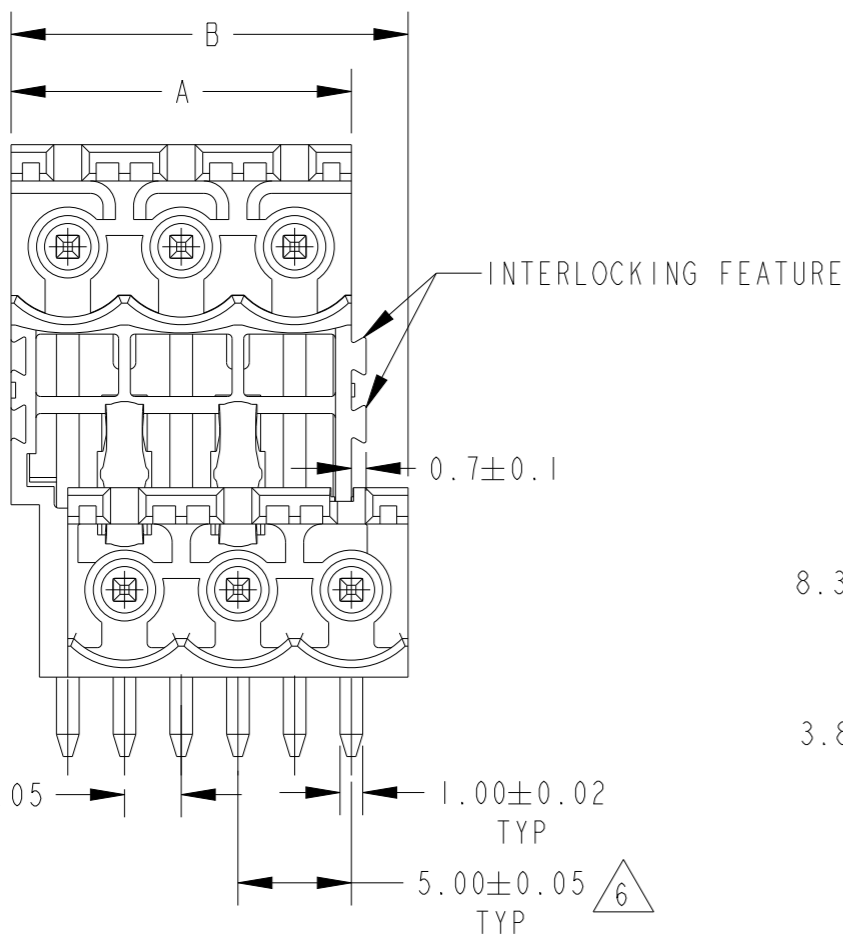
P	LTR	DESCRIPTION	DATE	DWN	APVD
	D	DESIGN IMPROVEMENT IN NEW MOLD	15JUN2020	DV	PS
	E	REVISED AS PER PCN: E-20-012263	12OCT2021	SCB	SS



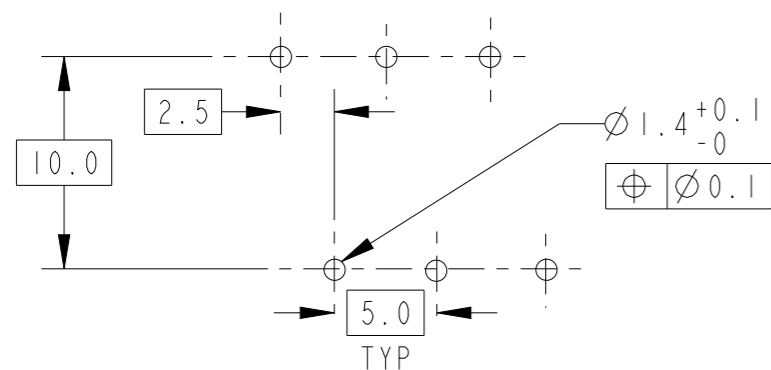
- 1 MATERIALS AND FINISH
HOUSING: HIGH TEMPERATURE POLYAMIDE, UL 94V-0 RATED, COLOR GREEN.
TERMINAL: COPPER ALLOY, TIN PLATED.
- 2 SUITABLE FOR 1,6-2,4mm PC BOARD THICKNESS.
- 3 ELECTRICAL
RATED VOLTAGE : 300 V
RATED CURRENT : 12 A
CONTACT RESISTANCE : < 15 mΩ
INSULATION RESISTANCE: > 1000 MΩ (500V DC)
- 4 OPERATING TEMPERATURE RANGE: -40°C TO +110°C
- 5 END-TO-END STACKABLE WITHOUT LOSS OF CENTERLINE SPACING.
- 6 NOT CUMULATIVE TOLERANCE.



284052-3 AS SHOWN



RECOMMENDED PC BOARD LAYOUT



DIM. "A"	DIM. "B"	NO OF POS	PART NUMBER
15.00	17.50	3	284052-3
10.00	12.50	2	284052-2

THIS DRAWING IS A CONTROLLED DOCUMENT.		DWN 04JAN2002 E. ZANOLINI	
DIMENSIONS: mm		CHK 04JAN2002 E. ZANOLINI	
TOLERANCES UNLESS OTHERWISE SPECIFIED:		APVD 04JAN2002 D. BIEVENOUR	
0 PLC ±-	±.3	PRODUCT SPEC	
1 PLC ±.3	±.25	APPLICATION SPEC	
2 PLC ±.25	±-	114-20079	
3 PLC ±-	±-	WEIGHT	
4 PLC ±-	±2°	-	
ANGLES ±2°		CUSTOMER DRAWING	
MATERIAL	FINISH	NAME	
		TE Connectivity	
		TERMINAL BLOCK MULTIPLE HEADER ASSEMBLY 90 DEG STACKING W/INTERLOCK 5.0mm PITCH	
		SIZE	RESTRICTED TO
		A3	-
		CAGE CODE	
		00779	
		DRAWING NO	
		C=284052	
		SCALE	SHEET
		5:1	1 OF 1
		REV	E

单击下面可查看定价，库存，交付和生命周期等信息

[>>TE Connectivity\(泰科\)](#)