

4

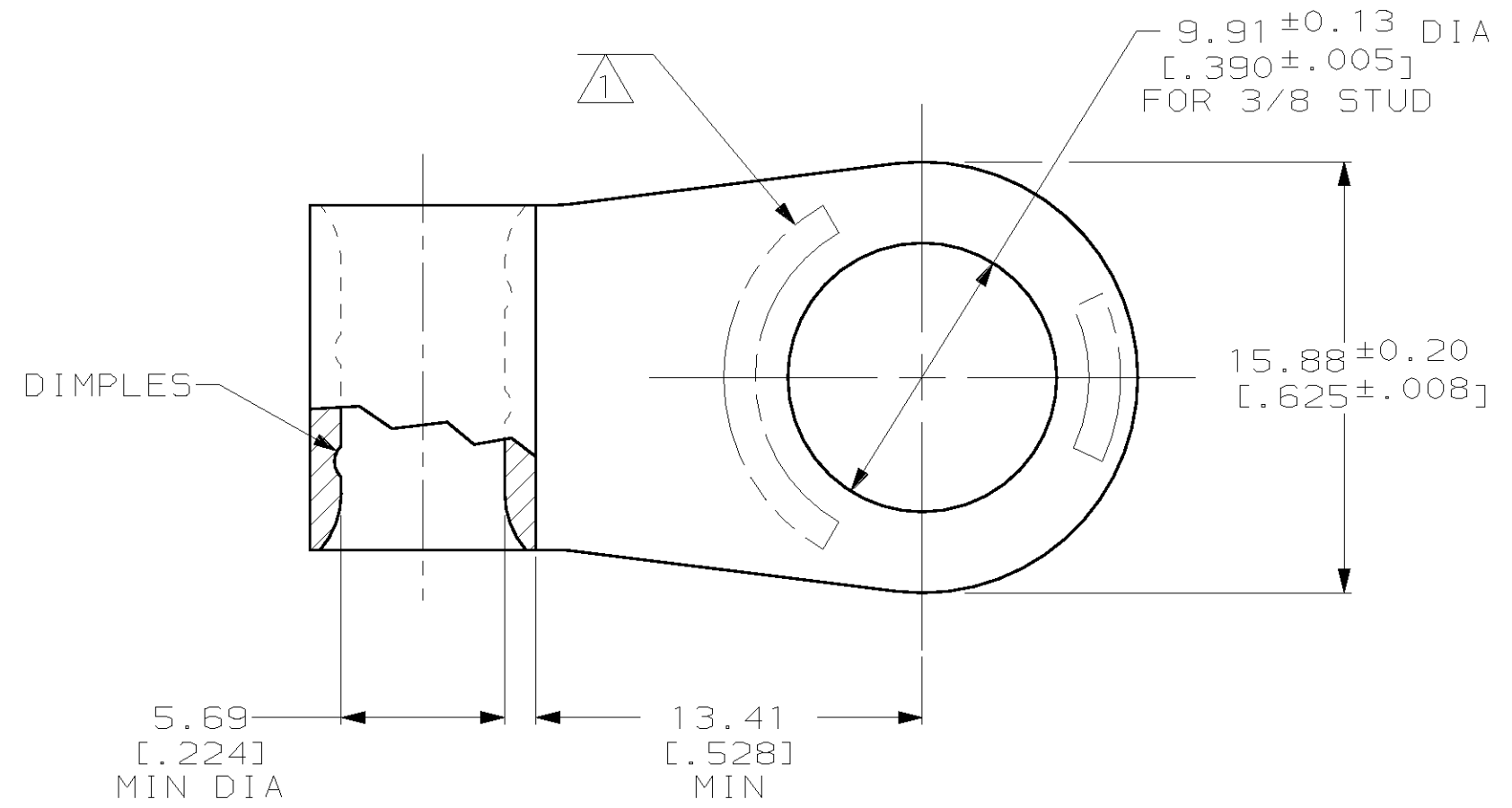
3

2

1

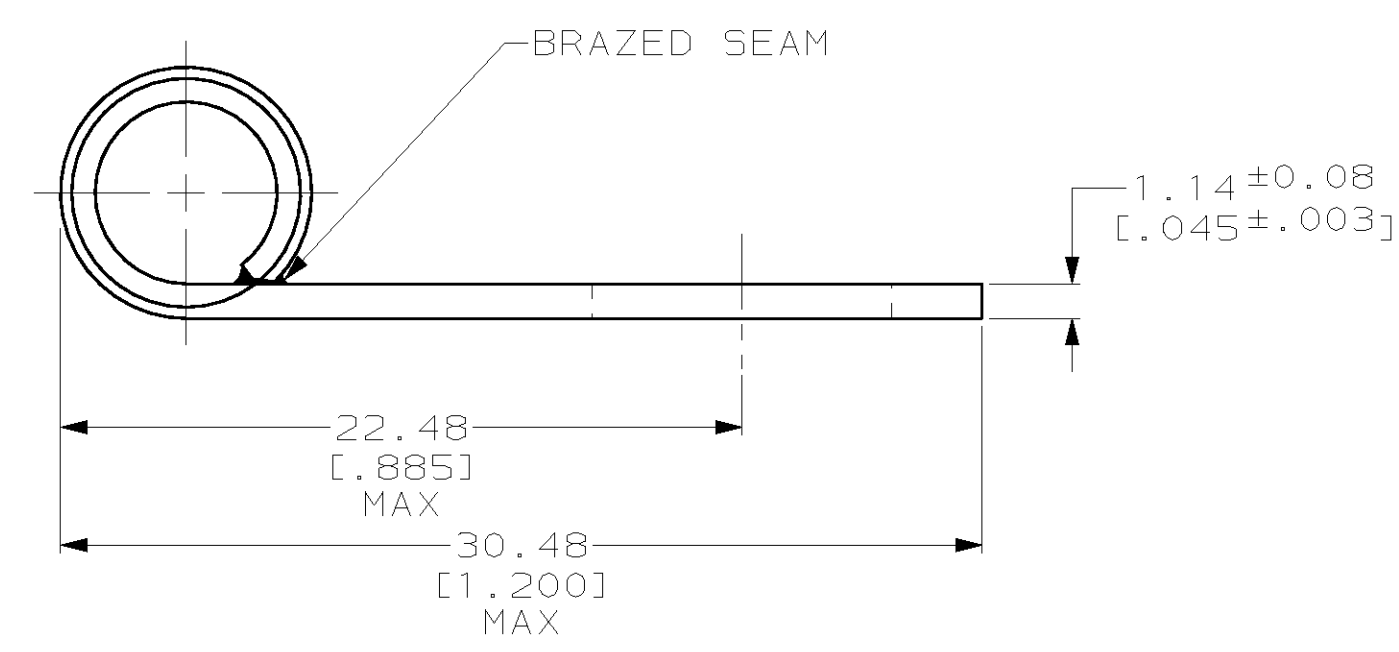
THIS DRAWING IS UNPUBLISHED. RELEASED FOR PUBLICATION, 19 .  
 © COPYRIGHT 19 BY AMP INCORPORATED. ALL RIGHTS RESERVED.

LOC	DIST	REVISIONS			
P	LTR	DESCRIPTION	DATE	DWN	APVD
G	14	C	REVISED PER 0L20-0223-97	100CT97	DKS MJS



<b>AMP</b> WIRE RANGE	<b>E13288</b> Listed
6 AWG SOLID OR STRANDED	6 AWG STRANDED
<b>LR7189</b> Certified	<b>MILITARY P/N</b> AND CLASS
6 AWG SOLID OR STRANDED	NOT APPLICABLE

1 STAMP AMP 6W\* 23-30 APPROX AS SHOWN



322204  
AMP  
PART NUMBER

<b>AMP INCORPORATED</b> <b>CUSTOMER SERVICE SYSTEMS</b>		<small>THIS DRAWING IS A CONTROLLED DOCUMENT FOR AMP INCORPORATED. IT IS SUBJECT TO CHANGE AND THE CONTROLLING ENGINEERING ORGANIZATION SHOULD BE CONTACTED FOR THE LATEST REVISION.</small>		DWN 100CT97 DK SCHRUM	AMP Incorporated Harrisburg, PA 17105-3608		
		DIMENSIONS: mm [INCHES]	TOLERANCES UNLESS OTHERWISE SPECIFIED: 0 PLC ±- 1 PLC ±- 2 PLC ±0.20 [.008] 3 PLC ±- 4 PLC ±- ANGLES ±-	CHK 130CT97 MJ SPICER APVD 130CT97 JL MECKLEY PRODUCT SPEC APPLICATION SPEC WEIGHT -		NAME <b>TERMINAL, RING TONGUE, FLAG, SOLISTRAND™</b>	
FOR ADDITIONAL PRODUCT INFORMATION OR COPIES OF DRAWINGS AND TECHNICAL DOCUMENTS PRODUCT INFORMATION CENTER 1-800-522-6752	RECOMMENDED OPERATING TEMPERATURE: 170°C MAX	VOLTAGE RATING: NOT APPLICABLE	MATERIAL COPPER PER ASTM B-152 ANNEALED	FINISH TIN PLATE 0.00254 [.000100] MIN THK PER ASTM B-545	SIZE <b>A3</b>	CAGE CODE <b>00779</b>	DRAWING NO <b>C-322204</b>
FOR APPLICATION TOOLING INFORMATION TOOLING ASSISTANCE CENTER 1-800-722-1111	WIRE CROSS SECTIONAL AREA RANGE: 10.5-16.8mm <sup>2</sup> [20,800-33,100] CIR MILS SOLID OR STRANDED	CUSTOMER DRAWING	SCALE <b>4:1</b>	SHEET <b>1 OF 1</b>	REV <b>C</b>		
FOR ORDER ENTRY 1-800-526-5142	AMP 1470-19 REV 09MAY94						

单击下面可查看定价，库存，交付和生命周期等信息

[>>TE Connectivity\(泰科\)](#)