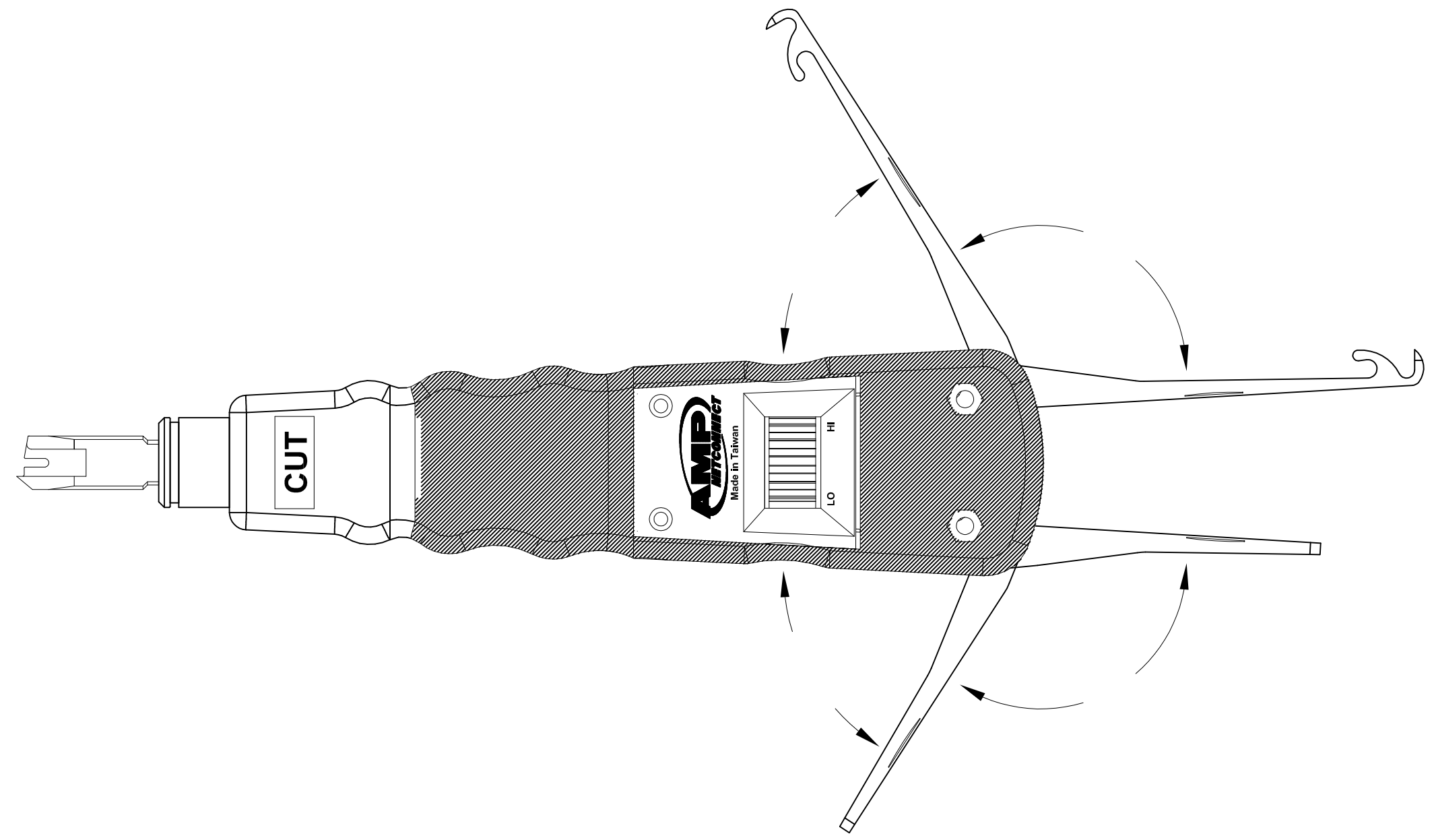



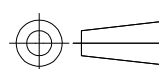
THIS DRAWING IS UNPUBLISHED. RELEASED FOR PUBLICATION  
 © COPYRIGHT - By - ALL RIGHTS RESERVED.

LOC	DIST	REVISIONS			
P	LTR	DESCRIPTION	DATE	DWN	APVD
A	40	C2	ECR-12-000532	1-2012	MY RK

PART NUMBER	REV	FIRST USED	WITH BLADE PART NUMBER	BLADE TYPE
1375308-1	C	-	1375309-1	110
1375308-2	C	-	NO BLADE	-
1375308-3	C	-	1725872-1	66
1375308-4	C	-	1375310-1	110/66

OBSOLETE



THIS DRAWING IS A CONTROLLED DOCUMENT.		DWN R. SMELTZ 09JAN2004	 TE Connectivity	
DIMENSIONS: INCHES		CHK D. MEYER 09JAN2004		
		APVD R. SCHAEFFER 09JAN2004	NAME TOOL, IMPACT, W/BLADE, D914S, XC, 110 CONNECT	
TOLERANCES UNLESS OTHERWISE SPECIFIED:		PRODUCT SPEC	-	
0 PLC ± -		APPLICATION SPEC	-	
1 PLC ± -		WEIGHT	-	
2 PLC ± .02		SIZE	A3	CAGE CODE
3 PLC ± -		DRAWING NO	C-1375308	
4 PLC ± -		RESTRICTED TO	-	
ANGLES ± -		SCALE	1:1	
FINISH		SHEET	1 OF 1	
MATERIAL		REV	C2	
-		CUSTOMER DRAWING		

单击下面可查看定价，库存，交付和生命周期等信息

[>>TE Connectivity\(泰科\)](#)