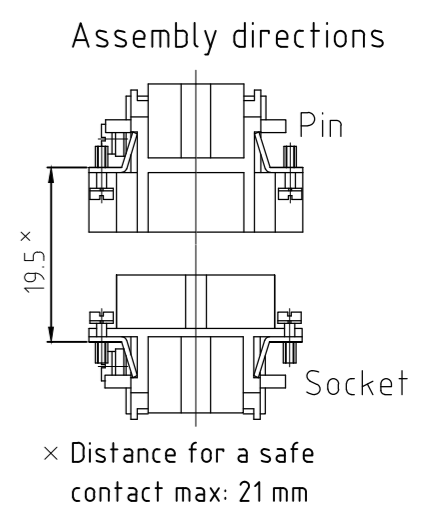
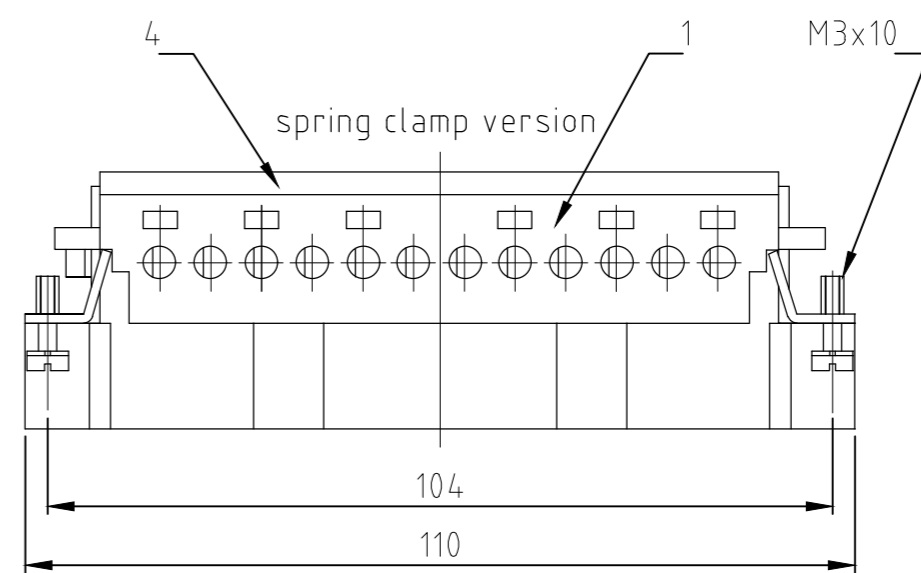
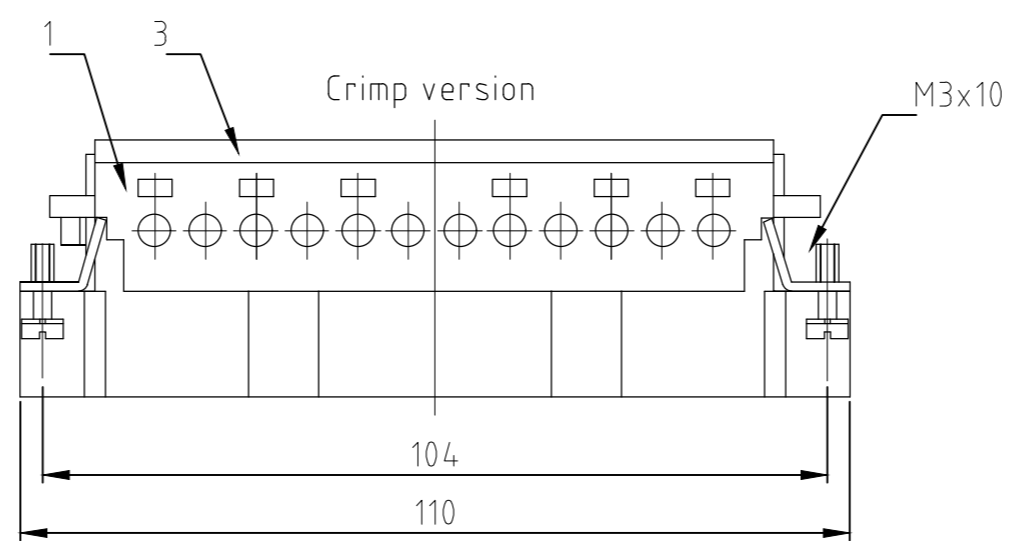
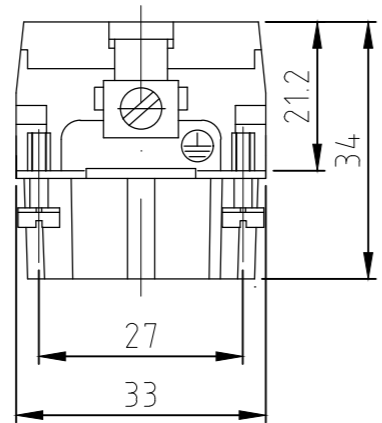
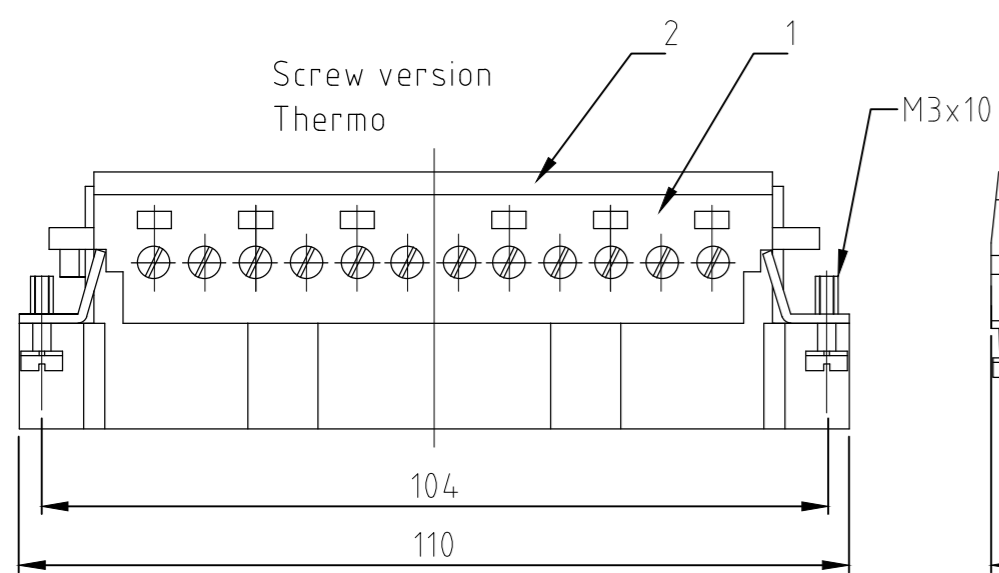
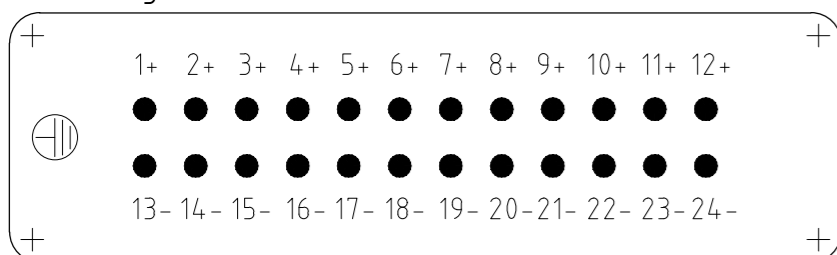


REVISIONS				
P	LTR	DESCRIPTION	DATE	APVD
E5		REVISED PER ECR-17-014011	27MAR18	NG MKO

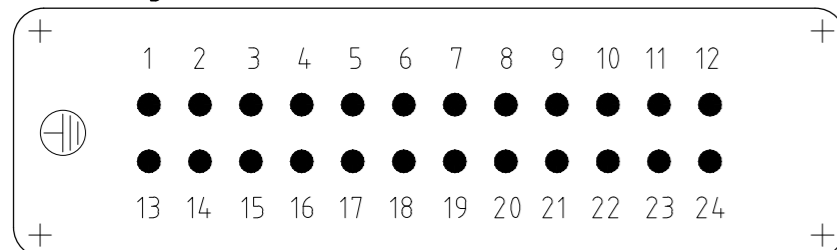


Contact arrangement view from termination side

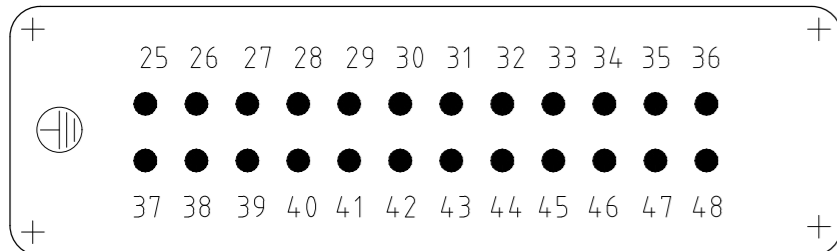
Printing 1-24 Thermo



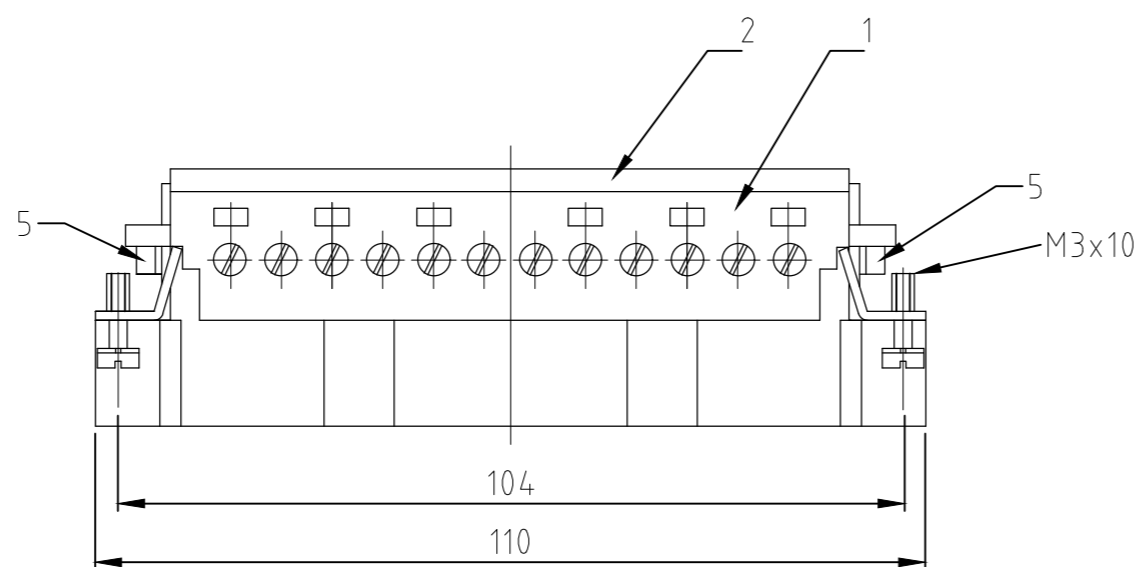
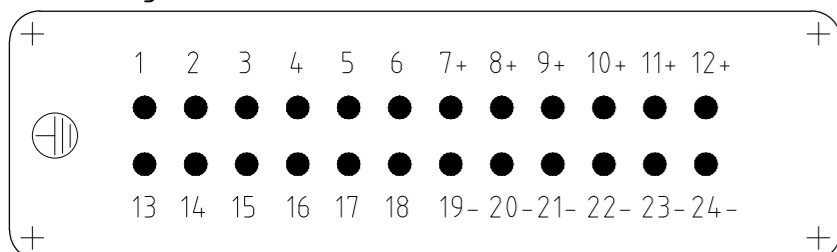
Printing 1-24 Screw



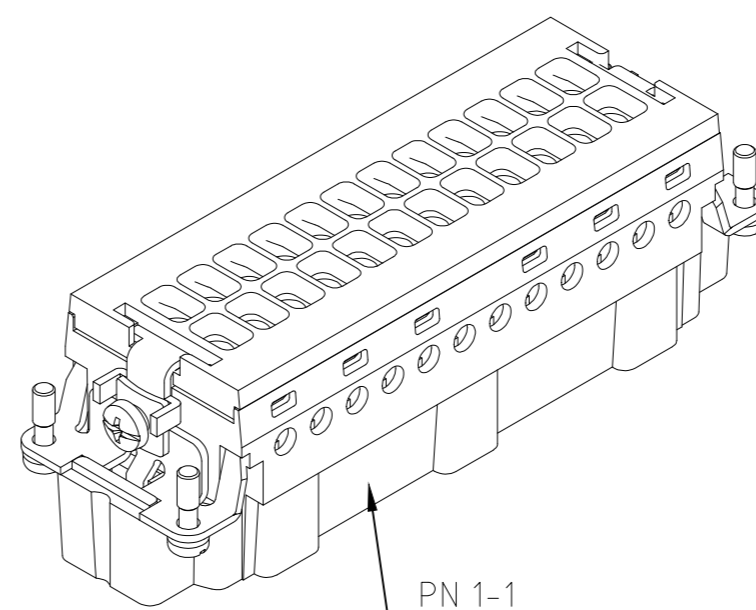
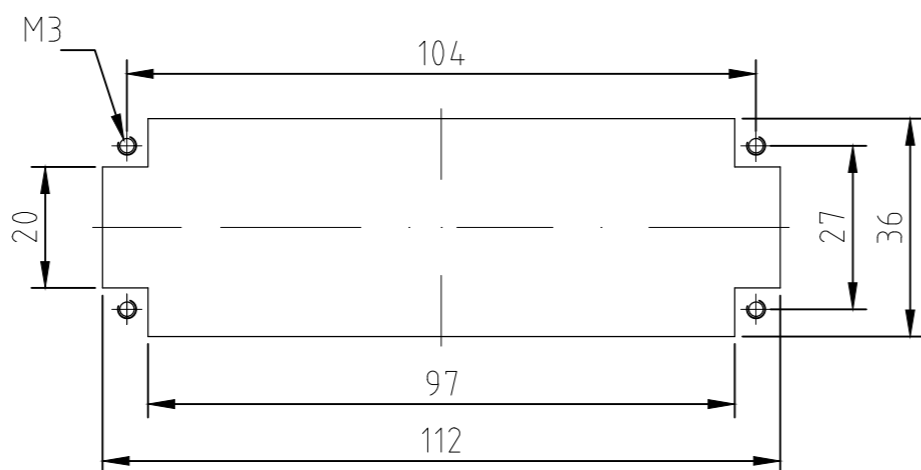
Printing 25-48 Screw



Printing 12+6+6 Screw/Thermo



Panel cut-out for contact insert when used without housing



NOTES:

- SUITABLE CRIMP CONTACTS: SERIES HE/HA
OUTER DIMENSIONS OF INSULATION: MAX. Ø3,2 MM
- SUITABLE HOOD SIZE 8; 12: SERIES HB; HD; HIP; EMV
SUITABLE INSERTION AND EXTRACTION TOOL:
SCREWDRIVER 0,5x3 DIN 5264
- Strip length: Screw connection 10mm
Spring clamp connection 10mm Crimp connection 7.5mm
- STANDARDS:
DIN EN 61984; DIN EN 60664-1
- PACKAGING:
5 SETS IN A CARTON, PRE-MOUNTED
- SPECIAL PACKAGING: Krauss-Maffei
PACKAGING UNIT: 220 PIECES

ITEM NO.	POS.	DESCRIPTION	MATERIAL	COLOR / FARBE	ITEM NO. POS.	NOTES
2		cylinder screw	steel	blue	5	M4x6
	1	cover spring clamp version		light grey	4	
	1	cover crimp version		light grey	3	
	1	cover screw version		light grey	2	
	1	pin insert		light grey	1	

DIMENSIONS: mm		TOLERANCES UNLESS OTHERWISE SPECIFIED:	
0 PLC	±0.1	0.1-0.25	±0.1
1 PLC	±0.1	0.25-0.5	±0.1
2 PLC	±0.1	0.5-1	±0.1
3 PLC	±0.1	1-2	±0.1
4 PLC	±0.1	2-5	±0.1
MATERIAL		FINISH	

DWN Schneider 08.02.2000		TE Connectivity	
CHK Schweiger 08.02.2000		Male insert HE.24.STI.S/C	
PRODUCT SPEC	NAME	SIZE	CAGE CODE
APPLICATION SPEC		A2	00779
WEIGHT	DRAWING NO	SCALE 1:1 SHEET 1 of 1 REV E5	
CUSTOMER DRAWING	RESTRICTED TO		

1103640

单击下面可查看定价，库存，交付和生命周期等信息

[>>TE Connectivity\(泰科\)](#)