

4

3

2

1

THIS DRAWING IS UNPUBLISHED.

RELEASED FOR PUBLICATION

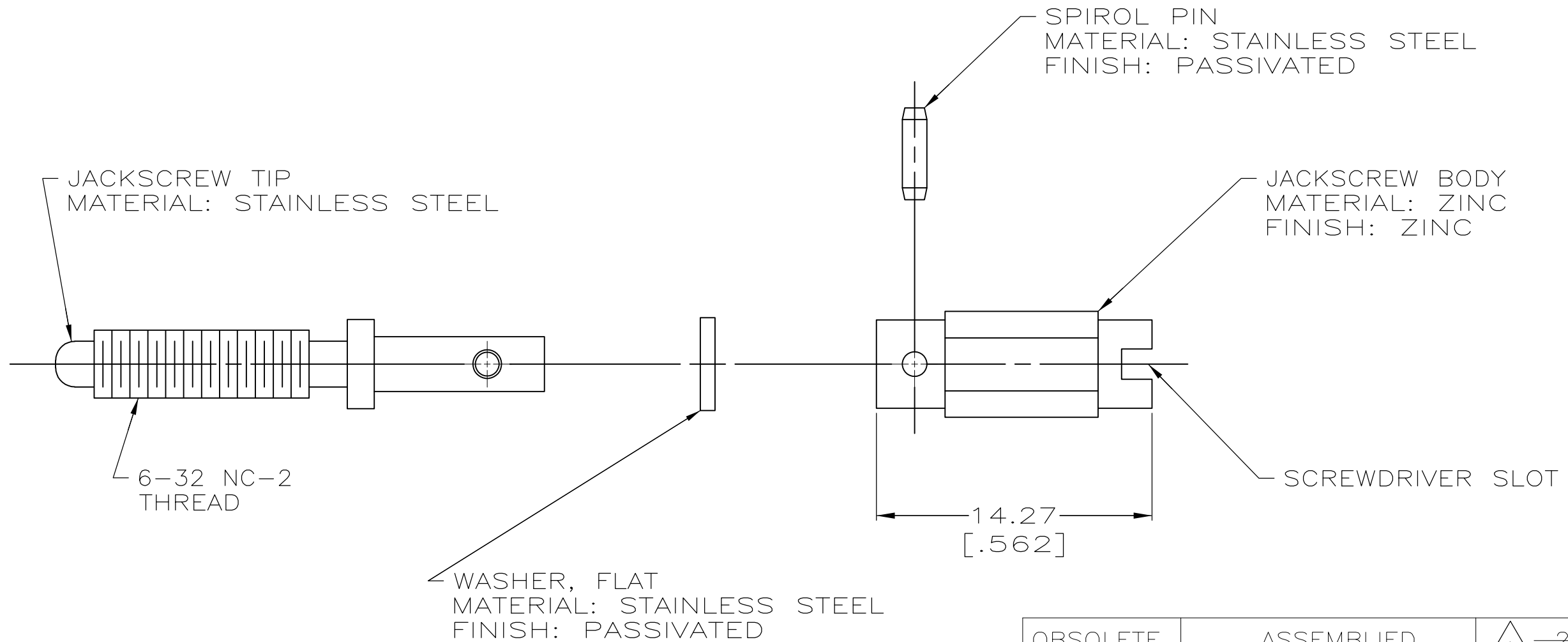
ALL RIGHTS RESERVED.

© COPYRIGHT - By -


REVISIONS

P	LTR	DESCRIPTION	DATE	DWN	APVD
G1		REVISED PER ECO-16-004000	08OCT2016	NK	MZ

1 PRELIMINARY PART NUMBER



OBSOLETE	ASSEMBLED	1-203535-3
	BULK	203535-2
	PACKAGING TYPE	PART NUMBER

THIS DRAWING IS A CONTROLLED DOCUMENT.		DWN C.DORWART 25 SEP 95	 TE Connectivity	
DIMENSIONS: mm [INCHES]		CHK R.STONE 28 SEP 95		
TOLERANCES UNLESS OTHERWISE SPECIFIED:		APVD G.STEINHAUER 04 OCT 95	NAME	
0 PLC ± - 1 PLC ± - 2 PLC ± 0.38 [.015] 3 PLC ± - 4 PLC ± - ANGLES ± -		PRODUCT SPEC	MALE JACKSCREW ASSY FOR GROUNDING CONNECTOR SHORT-SHORT, UNASSEMBLED, M SERIES	
MATERIAL SEE CALLOUTS		FINISH SEE CALLOUTS	APPLICATION SPEC	RESTRICTED TO
		WEIGHT	SIZE A3	CAGE CODE 00779
		CUSTOMER DRAWING	DRAWING NO C-203535	SCALE 4:1
			SHEET 1 OF 1	REV G1

单击下面可查看定价，库存，交付和生命周期等信息

[>>TE Connectivity\(泰科\)](#)