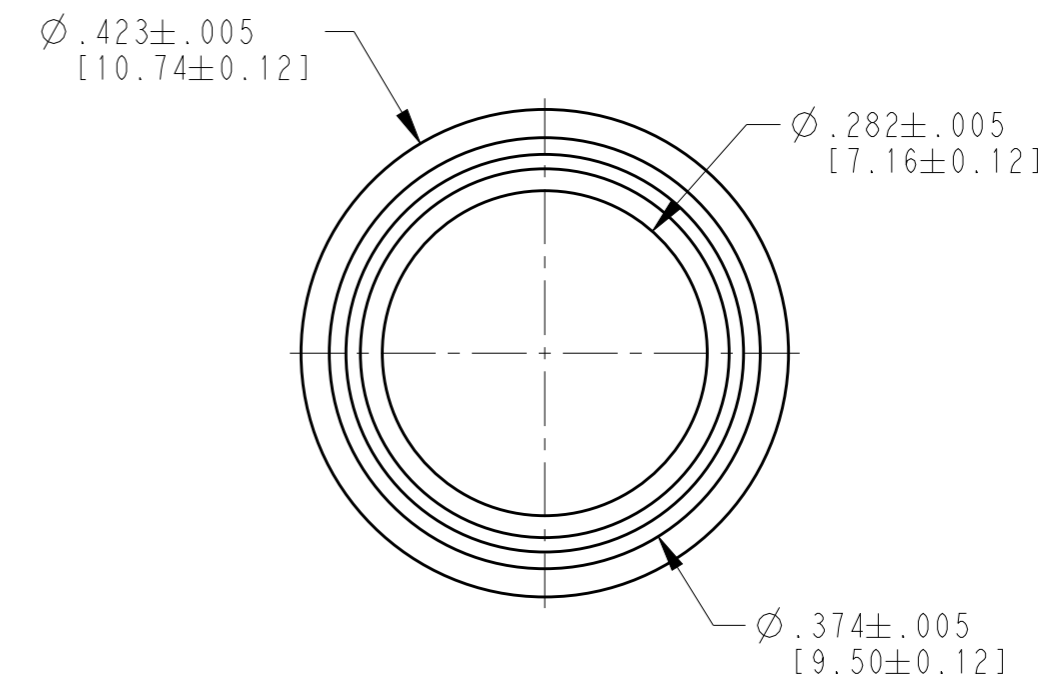
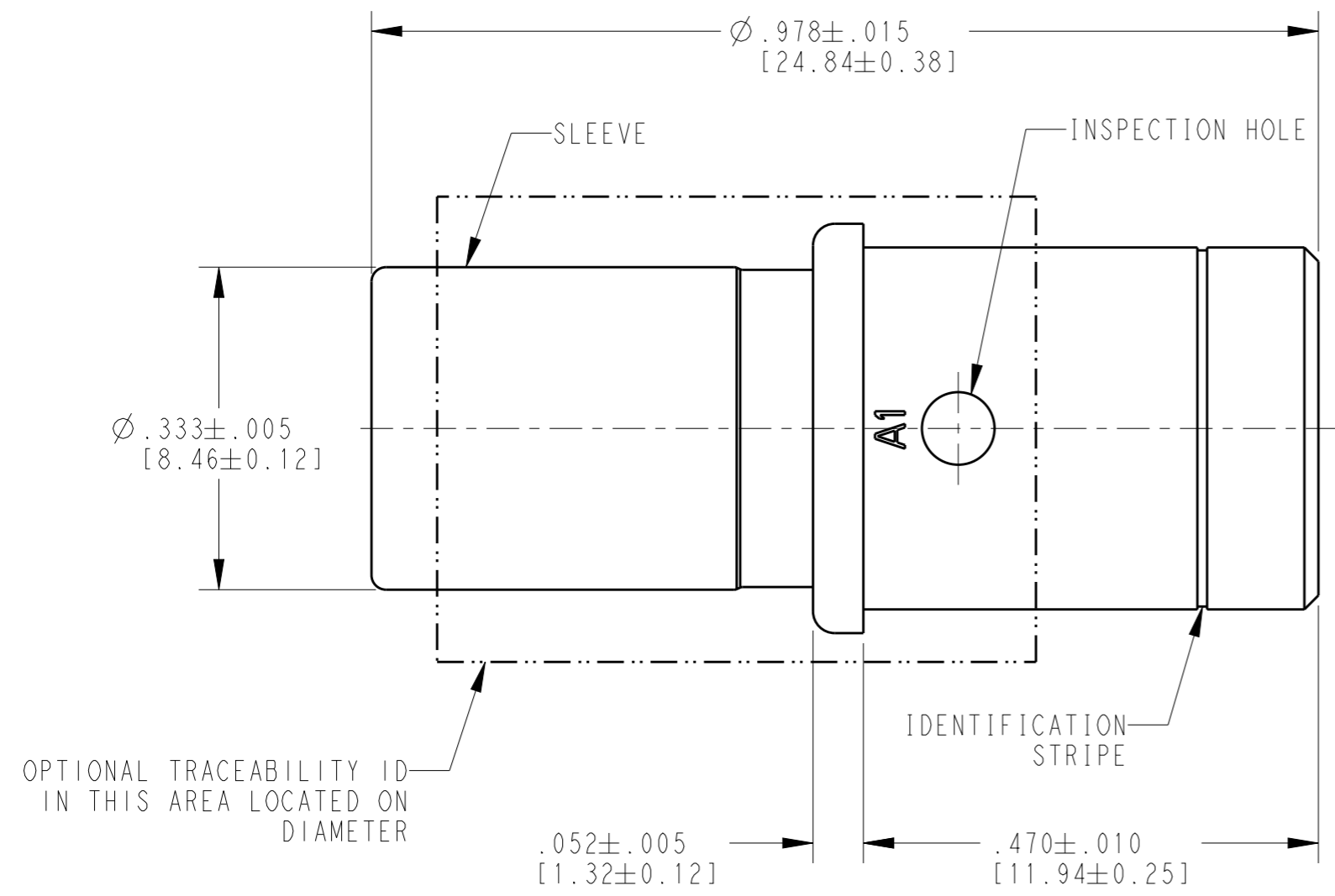


THIS DRAWING IS UNPUBLISHED
 RELEASED FOR PUBLICATION 2018
 © COPYRIGHT 2012 BY TE CONNECTIVITY ALL RIGHTS RESERVED.

REVISIONS					
P	LTR	DESCRIPTION	DATE	DWN	APVD
NC		NEW RELEASE PER E.O. P21296	13FEB2012	JA	RDR
A		REVISED PER E.O. P21378	08JUN2012	JA	RDR
B		REVISED PER PCN E-18-012207	31JUL2018	JA	DM
B1		REVISED PER PCN E-19-018080	19NOV2019	MK	DM



- (B1) 3. SEE APPLICATION SPECIFICATION 114-151004 FOR CRIMP TOOLS AND WIRE RANGE.
2. CONSULT FACTORY WHEN USING CONTACT OTHER THAN -C038 MODIFICATION.
- (B1) 1. DELETED.
- NOTES: UNLESS OTHERWISE SPECIFIED

TE INTERNAL PN	DEUTSCH PN	PLATING
5962-203-04141	5962-203-04141	NICKEL
5962-203-0431	5962-203-0431	GOLD

THIS DRAWING IS A CONTROLLED DOCUMENT.		DWN J. APOSTOL 09FEB2012														
DIMENSIONS: INCHES [mm]		CHK R. LEFFERTS 31MAY2012														
TOLERANCES UNLESS OTHERWISE SPECIFIED:		APVD D. MEYER 01JUN2012	NAME SOCKET, SOLID SIZE 4, 4 AWG													
<table border="0"> <tr><td>0 PLC</td><td>±</td></tr> <tr><td>1 PLC</td><td>±</td></tr> <tr><td>2 PLC</td><td>±</td></tr> <tr><td>3 PLC</td><td>±</td></tr> <tr><td>4 PLC</td><td>±</td></tr> <tr><td>ANGLES</td><td>±</td></tr> </table>		0 PLC	±	1 PLC	±	2 PLC	±	3 PLC	±	4 PLC	±	ANGLES	±	PRODUCT SPEC 108-151004	SIZE A3	
0 PLC	±															
1 PLC	±															
2 PLC	±															
3 PLC	±															
4 PLC	±															
ANGLES	±															
MATERIAL		APPLICATION SPEC 114-151004	CAGE CODE 4AFU8	DRAWING NO 5962-203-04XX												
FINISH		WEIGHT 7.44g	RESTRICTED TO -													
CUSTOMER DRAWING			SCALE 6:1	SHEET 1 OF 1												
REV B1																

单击下面可查看定价，库存，交付和生命周期等信息

[>>TE Connectivity\(泰科\)](#)