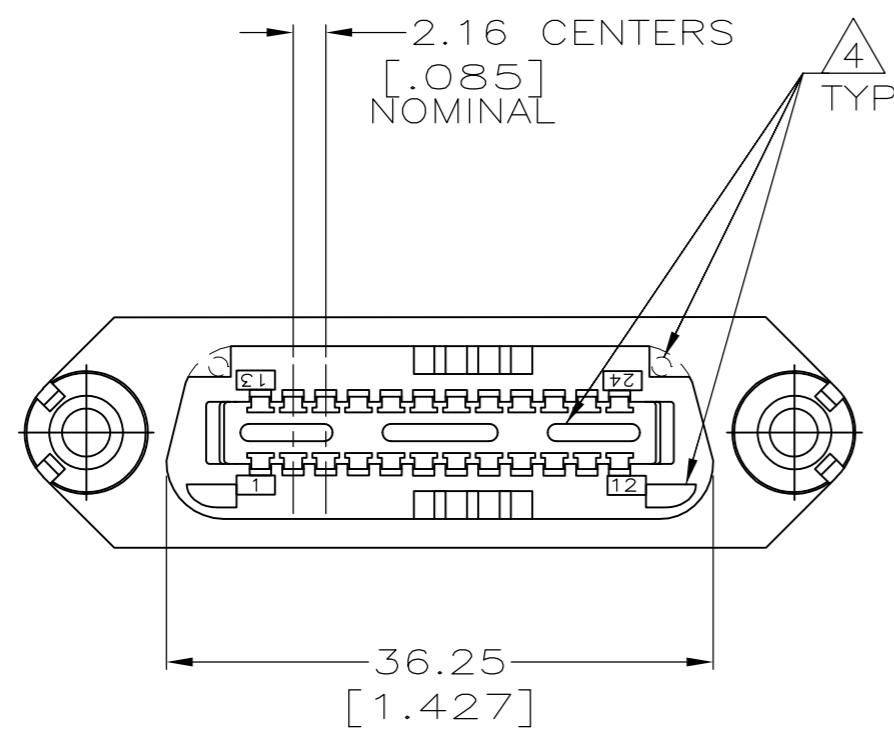
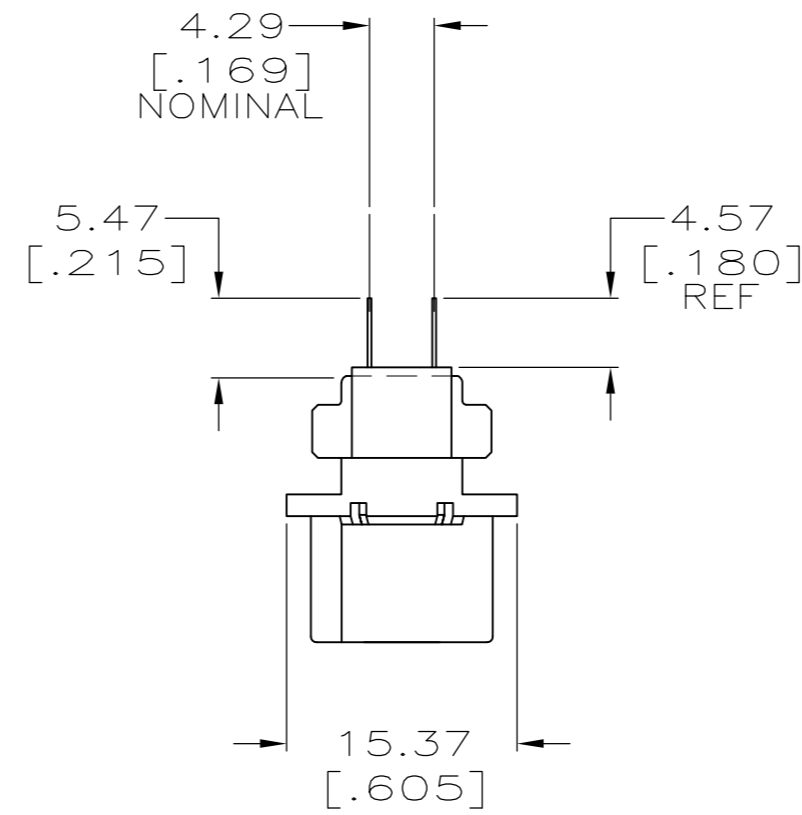
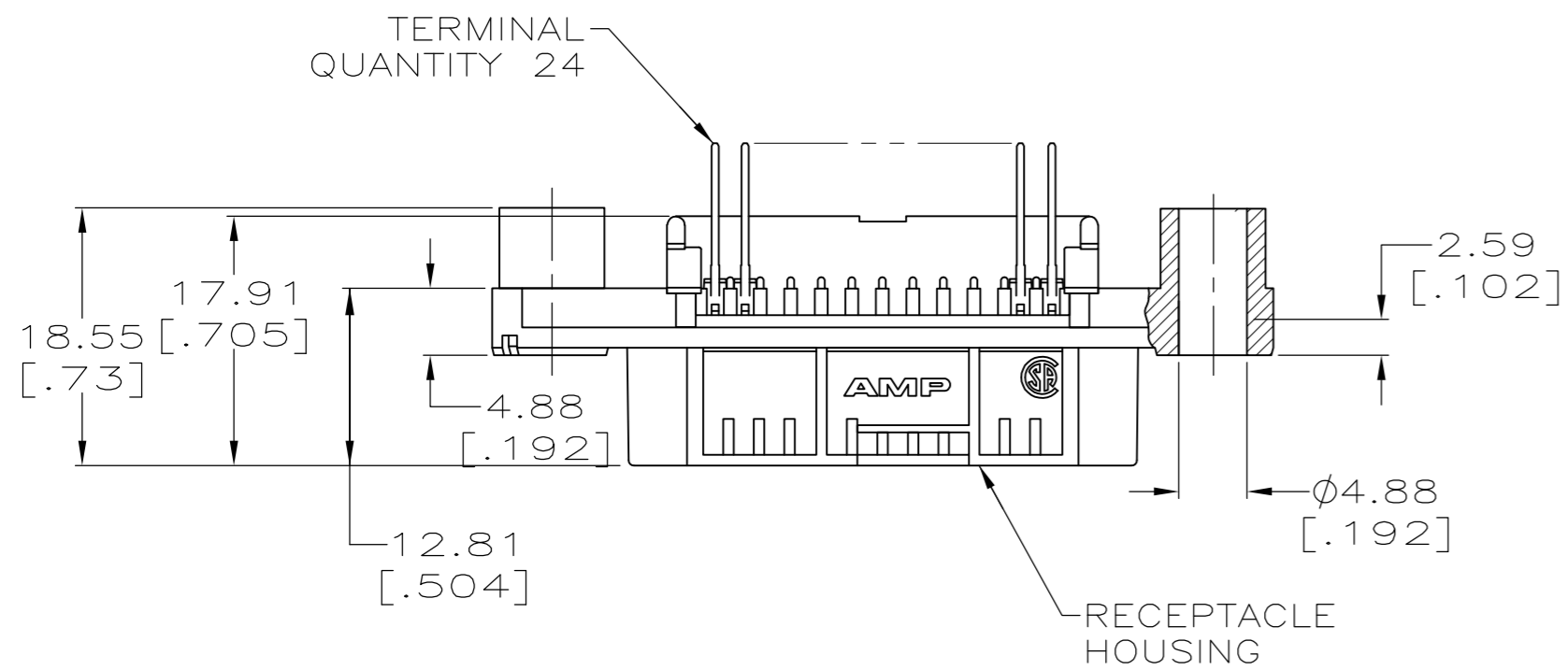
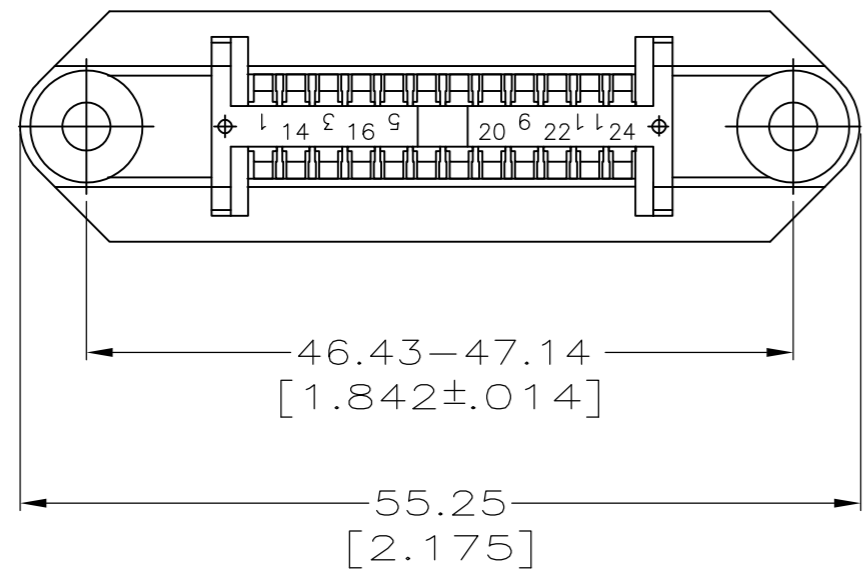


THIS DRAWING IS UNPUBLISHED. RELEASED FOR PUBLICATION
 © COPYRIGHT BY TYCO ELECTRONICS CORPORATION. ALL RIGHTS RESERVED.

LOC		DIST		REVISIONS			
P	LTR	DESCRIPTION		DATE	DWN	APVD	
GP	00	C		REVISED PER ECO-08-007327	22JUL08	BM WM	



- DIMENSIONS ARE MAXIMUM UNLESS OTHERWISE SPECIFIED.
- THE CONTACT SURFACES OF THE TERMINALS ARE COATED WITH LUBRICANT.
- MATERIAL: HOUSING - THERMOPLASTIC, BLACK. TERMINAL - PHOS BRONZE PLATED WITH EITHER 0.76µm [.000030] MINIMUM GOLD PLATE OR GOLD FLASH OVER PALLADIUM NICKEL PLATE, 0.76µm [.000030] MINIMUM TOTAL ON MATING SURFACE. 3.05µm [.000120] MINIMUM TIN PLATE ON TAILS OVER 1.27µm [.000050] MINIMUM NICKEL UNDERPLATE OVER ENTIRE TERMINAL.
- THIS FEATURE IS A CORED AREA AND IS OPTIONAL ON PART

5552224-1
 PART NUMBER

THIS DRAWING IS A CONTROLLED DOCUMENT.		DWN B. LATTUCA 12AUG05	Tyco Electronics Corporation Harrisburg, Pa 17105-3608	
DIMENSIONS: mm [INCHES]		CHK W. MILLHIMES 12AUG05	NAME RECEPTACLE ASSEMBLY, 24 POSITION, VERTICAL MOUNTING WITH STANDOFFS, CHAMP-LOK	
TOLERANCES UNLESS OTHERWISE SPECIFIED:		APVD M. WALMSLEY 12AUG05	SIZE A2	CAGE CODE 00779
0 PLC ± -		PRODUCT SPEC	DRAWING NO C=5552224	RESTRICTED TO
1 PLC ± -		APPLICATION SPEC	SCALE 2:1	SHEET 1 OF 1
2 PLC ± -		WEIGHT	REV C	
3 PLC ± -		CUSTOMER DRAWING		
4 PLC ± -				
ANGLES ± -				
FINISH				

5552224

A

单击下面可查看定价，库存，交付和生命周期等信息

[>>TE Connectivity\(泰科\)](#)