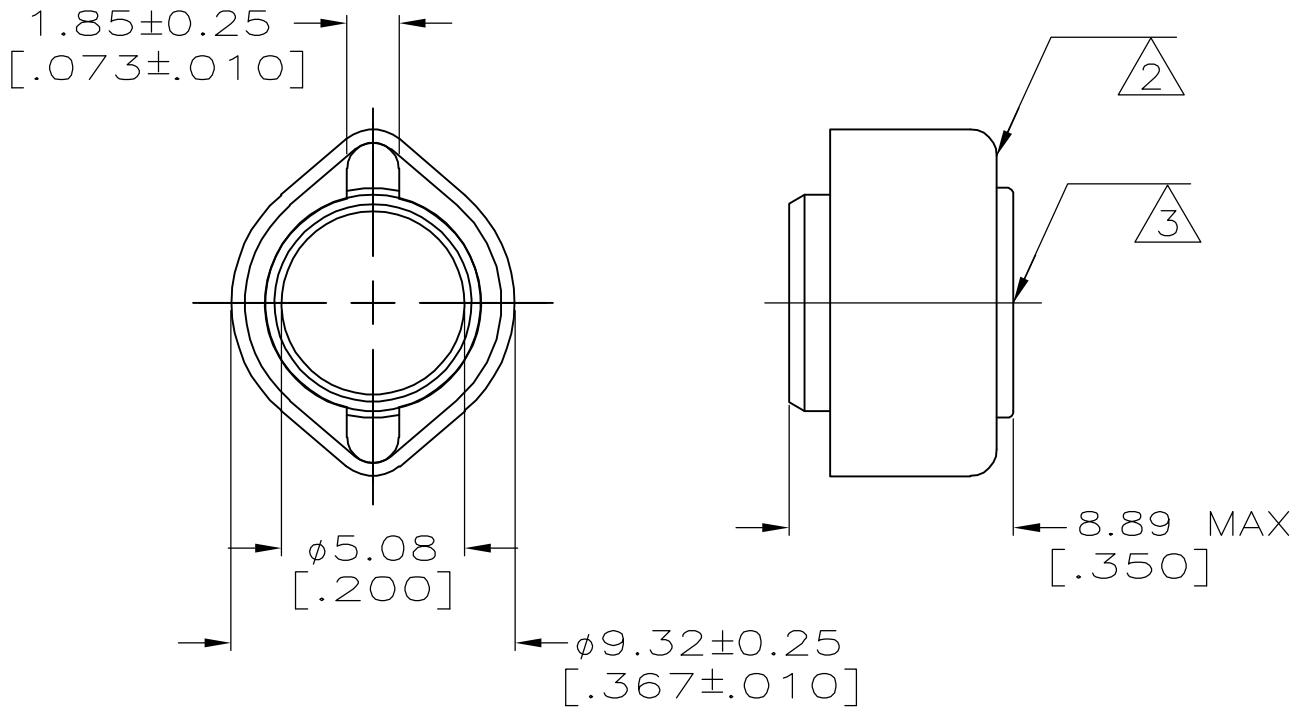


LOC	DIST	REVISIONS					
AJ	16	P	LTR	DESCRIPTION	DATE	DWN	APVD
		A		REVISED PER EC OS14-0150-05	12JAN2005	REH	JL



INSULATION SIZE: 3.68–4.67 DIA
[.145–.184]

- ① ZINC PLATE PER QQ-Z-325
- ② COPPER PER QQ-C-576
- ③ BRASS PER ASTM-B-16

RELEASED FOR PUBLICATION

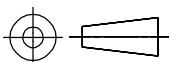
ALL RIGHTS RESERVED.

© COPYRIGHT BY TYCO ELECTRONICS CORPORATION.

THIS DRAWING IS UNPUBLISHED.

①	5327138
FINISH	PART NUMBER

DIMENSIONS: mm [INCHES]	DWN L. VARELA – DOCK5	21APR2005	MATERIAL	FINISH				
	CHK J. HAVENER	21APR2005	SEE NOTES	-				
TOLERANCES UNLESS OTHERWISE SPECIFIED:	APVD J. LIPPERT	21APR2005	Tyco Electronics Corporation Harrisburg, PA 17105-3608					
	PRODUCT SPEC	-			NAME	FERRULE ASSEMBLY, TERMASHIELD		
0 PLC ± -	APPLICATION SPEC	-	SIZE	CAGE CODE	DRAWING NO	RESTRICTED TO		
1 PLC ± -	WEIGHT	-	A4	00779	①-5327138	-		
2 PLC ± -	CUSTOMER DRAWING		SCALE	4:1	SHEET	1 OF 1	REV	A
3 PLC ± .005								
4 PLC ± -								
ANGLES ± -								



单击下面可查看定价，库存，交付和生命周期等信息

[>>TE Connectivity\(泰科\)](#)