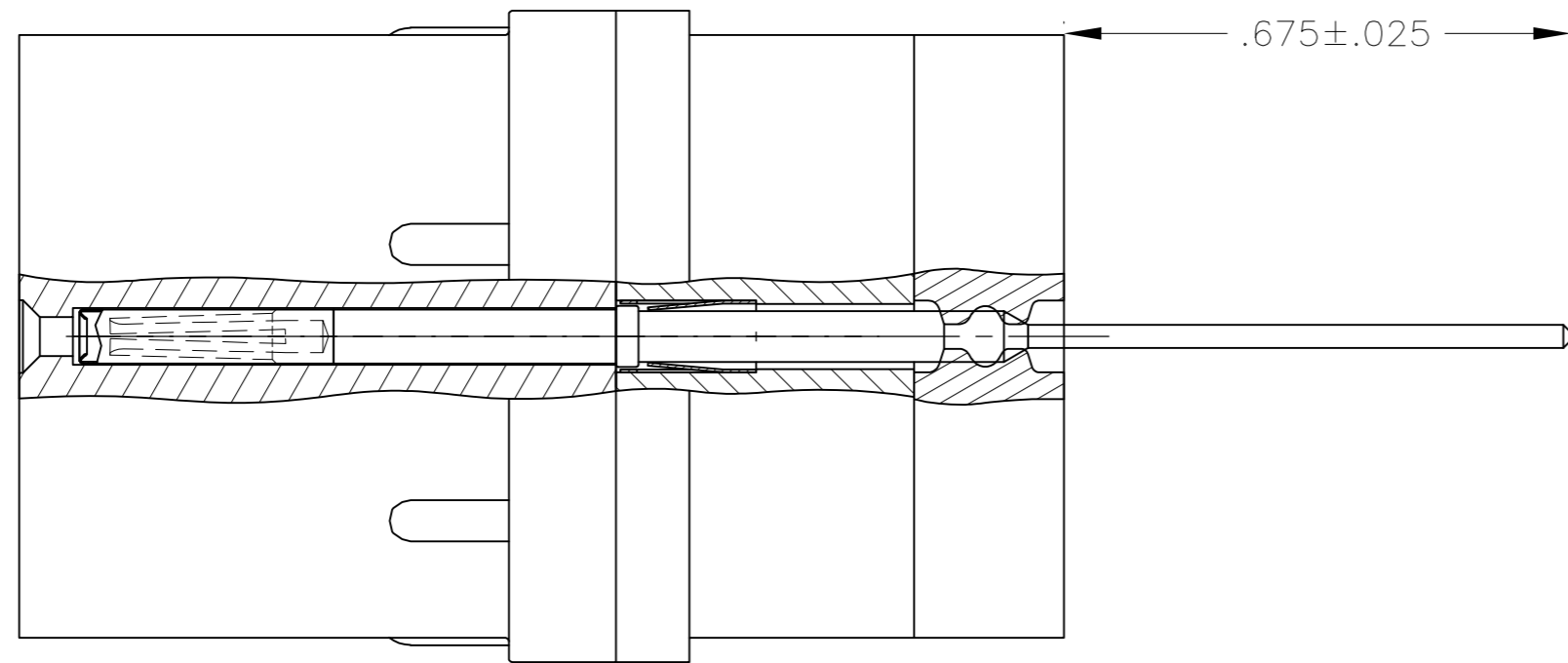
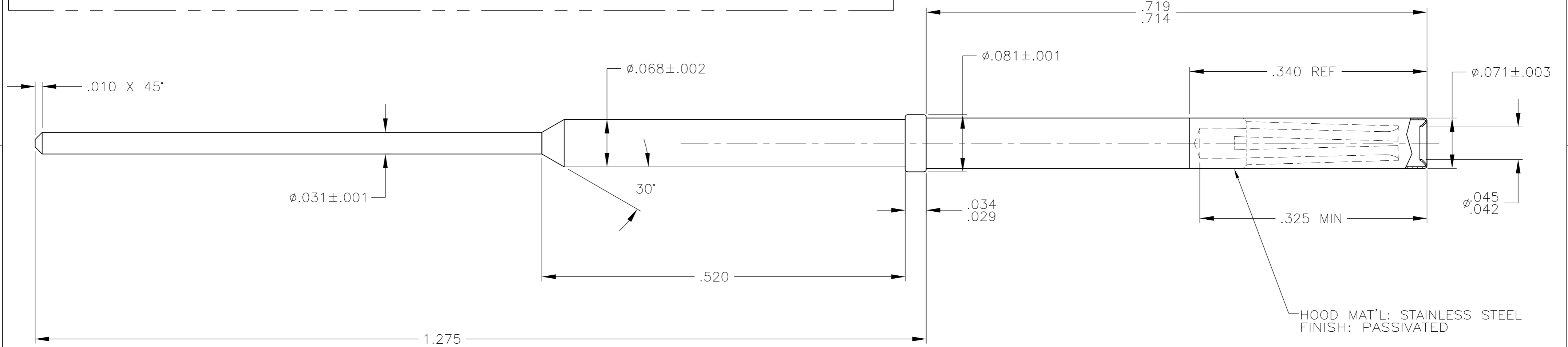


THIS DRAWING IS UNPUBLISHED. RELEASED FOR PUBLICATION
 © COPYRIGHT BY TYCO ELECTRONICS CORPORATION. ALL RIGHTS RESERVED.

LOC		DIST		REVISIONS			
P	LTR	DESCRIPTION	DATE	DWN	APVD		
B		RELEASED PER ECO 09-007429	3-24-09	CT	RG		



PIN SHOWN IN ARINC 404 SOCKET INSERT



HOOD MAT'L: STAINLESS STEEL
 FINISH: PASSIVATED

2101025-1
 PART NUMBER

THIS DRAWING IS A CONTROLLED DOCUMENT.		DWN	C.C.THOMAS	12-18-08	 Tyco Electronics Corporation Harrisburg, Pa 17105-3608
DIMENSIONS: INCHES		CHK	R.GROSS	12-18-08	
TOLERANCES UNLESS OTHERWISE SPECIFIED:		APVD	R.GROSS	12-18-08	
0 PLC ± - 1 PLC ± - 2 PLC ± - 3 PLC ± .005 4 PLC ± - ANGLES ± 2°		PRODUCT SPEC	NAME		
MATERIAL SEE CALLOUTS		FINISH	SEE CALLOUTS		SIZE A2 CAGE CODE 00779 DRAWING NO C-2101025 RESTRICTED TO -
CUSTOMER DRAWING		WEIGHT	-		SCALE 10:1 SHEET 1 OF 1 REV B

单击下面可查看定价，库存，交付和生命周期等信息

[>>TE Connectivity\(泰科\)](#)