

4

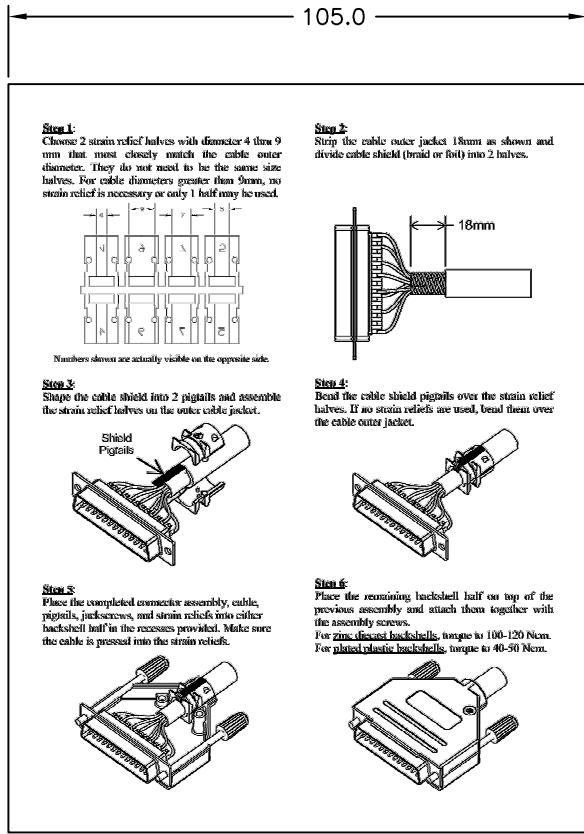
3

2

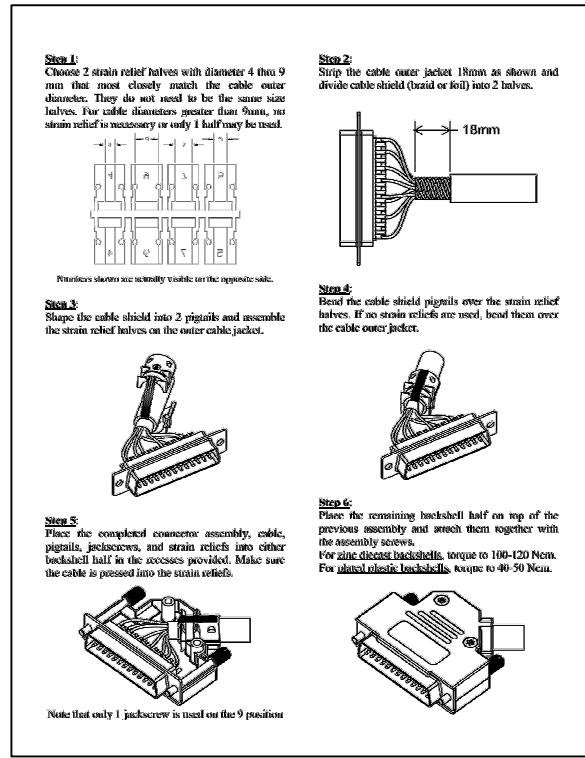
1

THIS DRAWING IS UNPUBLISHED. RELEASED FOR PUBLICATION
 © COPYRIGHT - By - ALL RIGHTS RESERVED.

LOC	DIST	REVISIONS			
P	LTR	DESCRIPTION	DATE	DWN	APVD
GP	00	A ORIGINAL	14NOV2012	CJV	CWR



SIDE 1



SIDE 2

2227518-1
 PART NUMBER

THIS DRAWING IS A CONTROLLED DOCUMENT. DIMENSIONING AND TOLERANCING PER ASME Y14.5M-2009		DWN C. VALENTINE 14NOV2012	TE Connectivity		
DIMENSIONS: mm		CHK C. ROHDE 14NOV2012	NAME		
TOLERANCES UNLESS OTHERWISE SPECIFIED:		APVD C. ROHDE 14NOV2012	LEAFLET		
0 PLC ± -		PRODUCT SPEC	ASSEMBLY INSTRUCTIONS		
1 PLC ± -		APPLICATION SPEC	ZINC AND PLATE BACKSHELLS		
2 PLC ± -		WEIGHT	SIZE	CAGE CODE	DRAWING NO
3 PLC ± -		-	A3	00779	C=2227518
4 PLC ± -			RESTRICTED TO		
ANGLES ± -		CUSTOMER DRAWING	SCALE	SHEET	REV
MATERIAL		-	NTS	1 of 1	A

单击下面可查看定价，库存，交付和生命周期等信息

[>>TE Connectivity\(泰科\)](#)