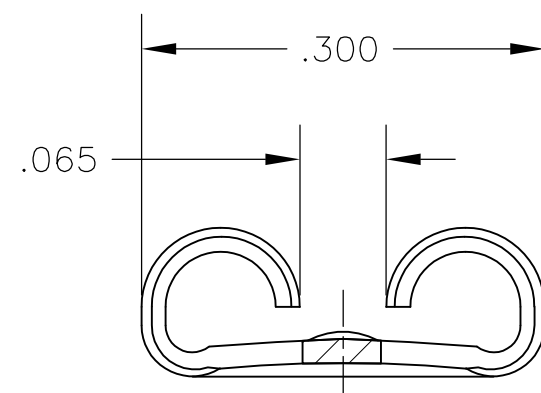
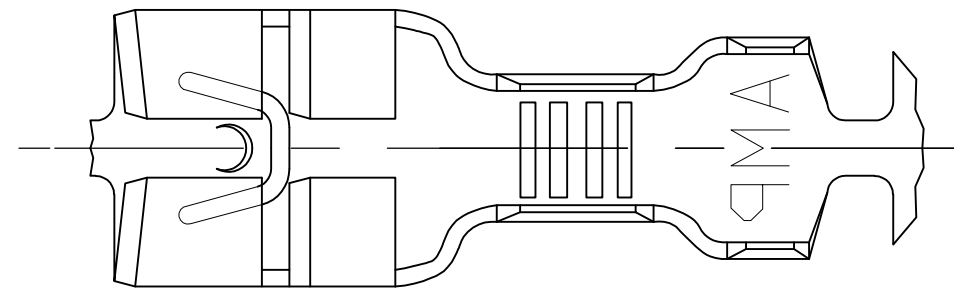


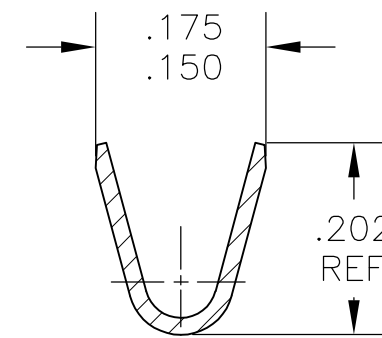
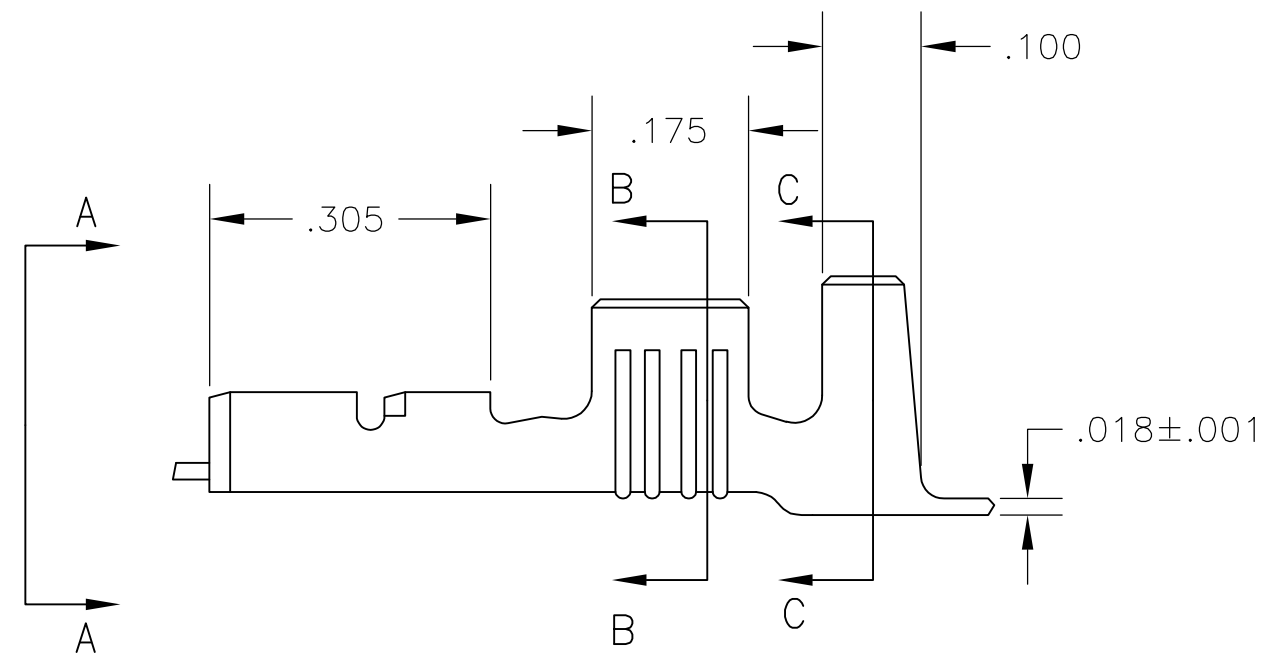
THIS DRAWING IS UNPUBLISHED. RELEASED FOR PUBLICATION
 © COPYRIGHT - By - ALL RIGHTS RESERVED.

LOC	DIST	REVISIONS			
P	LTR	DESCRIPTION	DATE	DWN	APVD
AF	50	E1	REVISED PER ECO-13-012211	30JUL13	JR PD

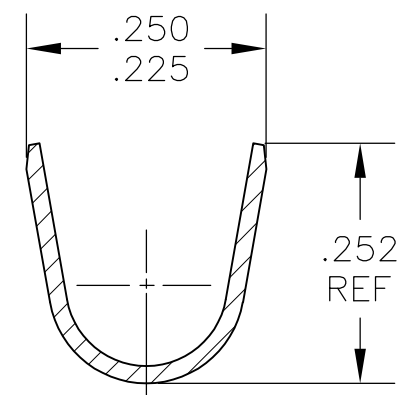


VIEW A-A

- 1 CONTINUOUS STRIP ON REELS.
- 2 MATING TAB THK IS $.032 \pm .001$
- 3 WIRE SIZE IS #14-#10 AWG
- 4 INSULATION RANGE IS .150-.200 DIA
- 5 REELED WITH INTERLEAVING PAPER
- 6 PRELIMINARY - NOT FOR PRODUCTION



SECTION B-B



SECTION C-C

5	63435-3
6	63435-1
PART NO.	

THIS DRAWING IS A CONTROLLED DOCUMENT.		DWN	JR RUTH	10/10/86	TE Connectivity					
DIMENSIONS: INCHES		CHK	G YETTER	10/12/86				NAME RECEPTACLE, FASTON, LOW-INSERTION, .250 SERIES		
TOLERANCES UNLESS OTHERWISE SPECIFIED:		APVD	R KUZO	10/12/86						
0 PLC ± - 1 PLC ± - 2 PLC ± - 3 PLC ± .010 4 PLC ± - ANGLES ± -		MATERIAL						SIZE	CAGE CODE	DRAWING NO
BRASS		FINISH			WEIGHT	A300779 C-63435		-		
SILVER		CUSTOMER DRAWING			SCALE	5:1	SHEET	1 OF 1	REV	E1

单击下面可查看定价，库存，交付和生命周期等信息

[>>TE Connectivity\(泰科\)](#)