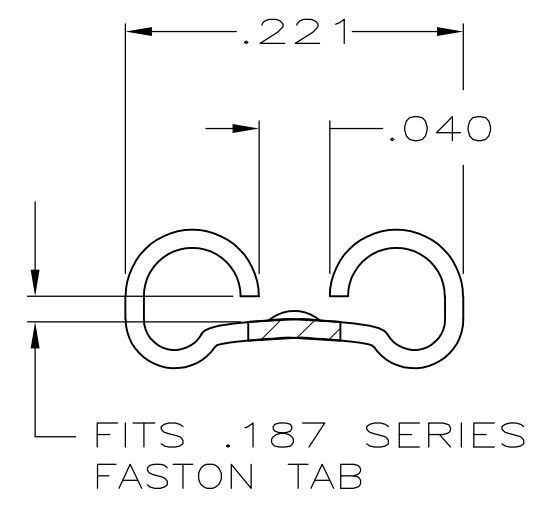
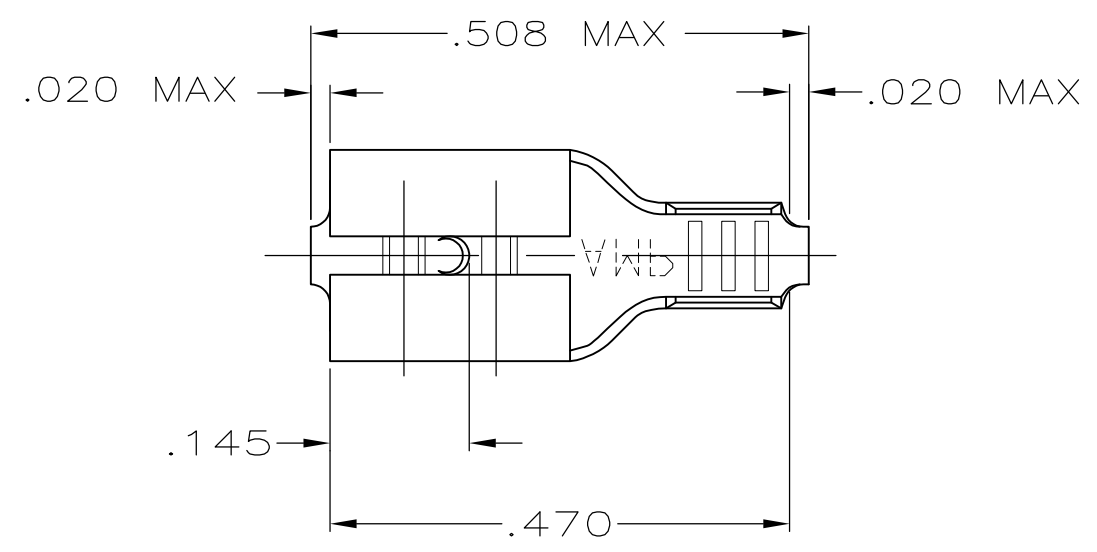


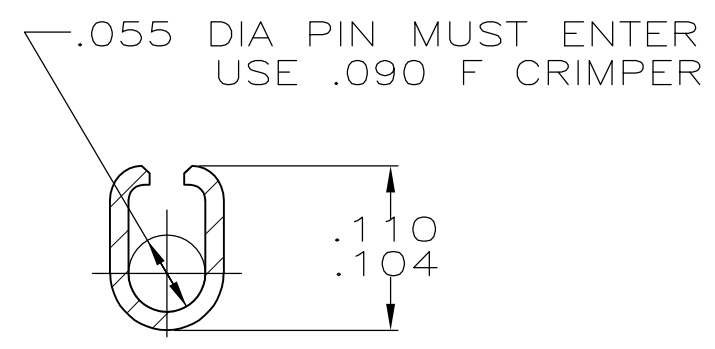
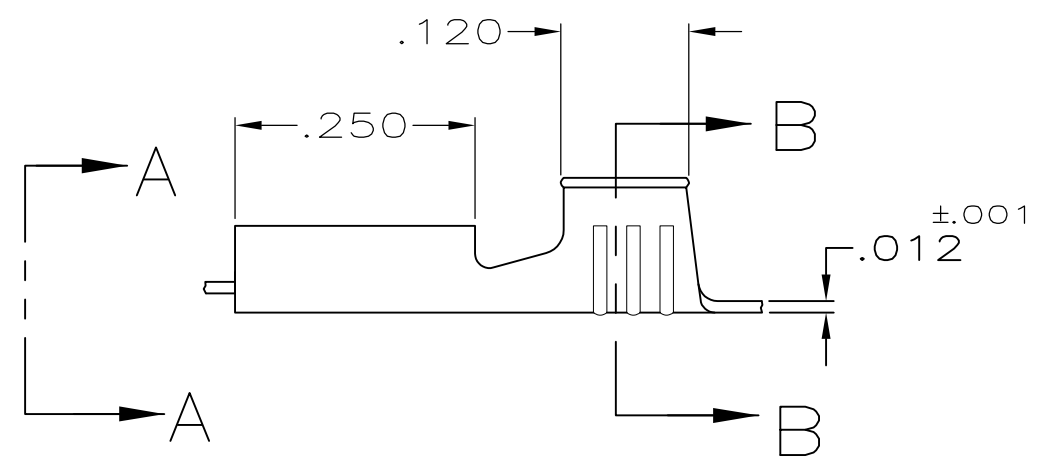
THIS DRAWING IS UNPUBLISHED. RELEASED FOR PUBLICATION
 © COPYRIGHT - By - ALL RIGHTS RESERVED.

LOC	DIST	REVISIONS					
AF	50	P	LTR	DESCRIPTION	DATE	DWN	APVD
		A		REVISED PER ECR-12-013445	09NOV12	KH	PD

- 1 CONTINUOUS STRIP ON REELS
- 2 WIRE SIZE IS #20-#16 AWG.
- 3 MATING TAB THK IS .020±.001



VIEW A-A
SCALE 8:1



SECTION B-B

42373-2		42638-2	
STRIP NO.		PART NUMBER	
STE TE Connectivity			
NAME		RECEPTACLE, FASTON™, .187 SERIES	
SIZE	CAGE CODE	DRAWING NO	RESTRICTED TO
A3	00779	C-42638	-
CUSTOMER DRAWING		SCALE 5:1	SHEET 1 OF 1 REV A

THIS DRAWING IS A CONTROLLED DOCUMENT.		DWN	JR RUTH	11/12/96
DIMENSIONS: INCHES		CHK	MS FEHER	11/12/96
TOLERANCES UNLESS OTHERWISE SPECIFIED:		APVD	P DESANTIS	11/12/96
0 PLC	± -	PRODUCT SPEC		-
1 PLC	± -	APPLICATION SPEC		-
2 PLC	± -	WEIGHT		-
3 PLC	± .015	MATERIAL		BRASS
4 PLC	± -	FINISH		TIN
ANGLES	± -			

单击下面可查看定价，库存，交付和生命周期等信息

[>>TE Connectivity\(泰科\)](#)