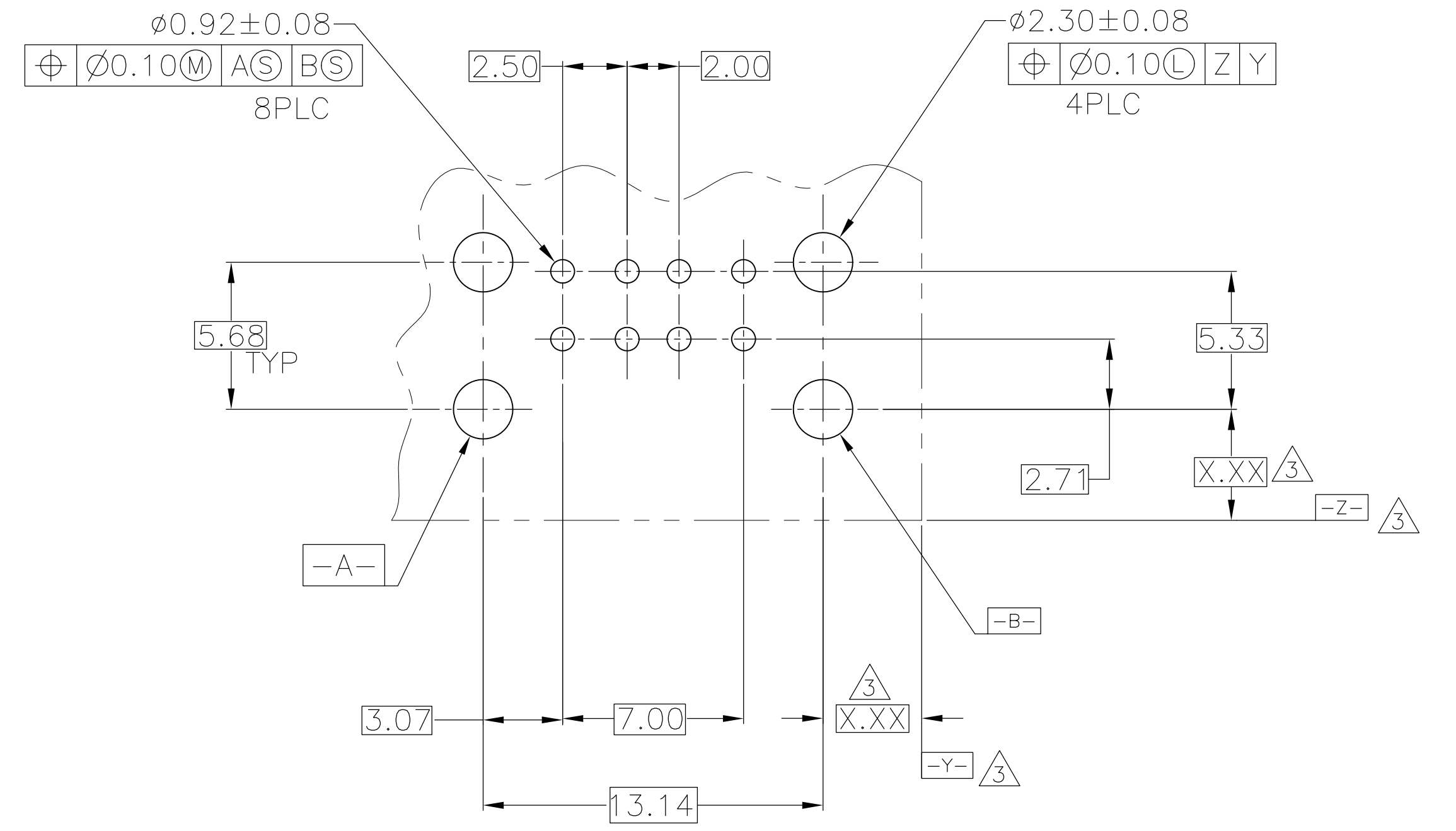
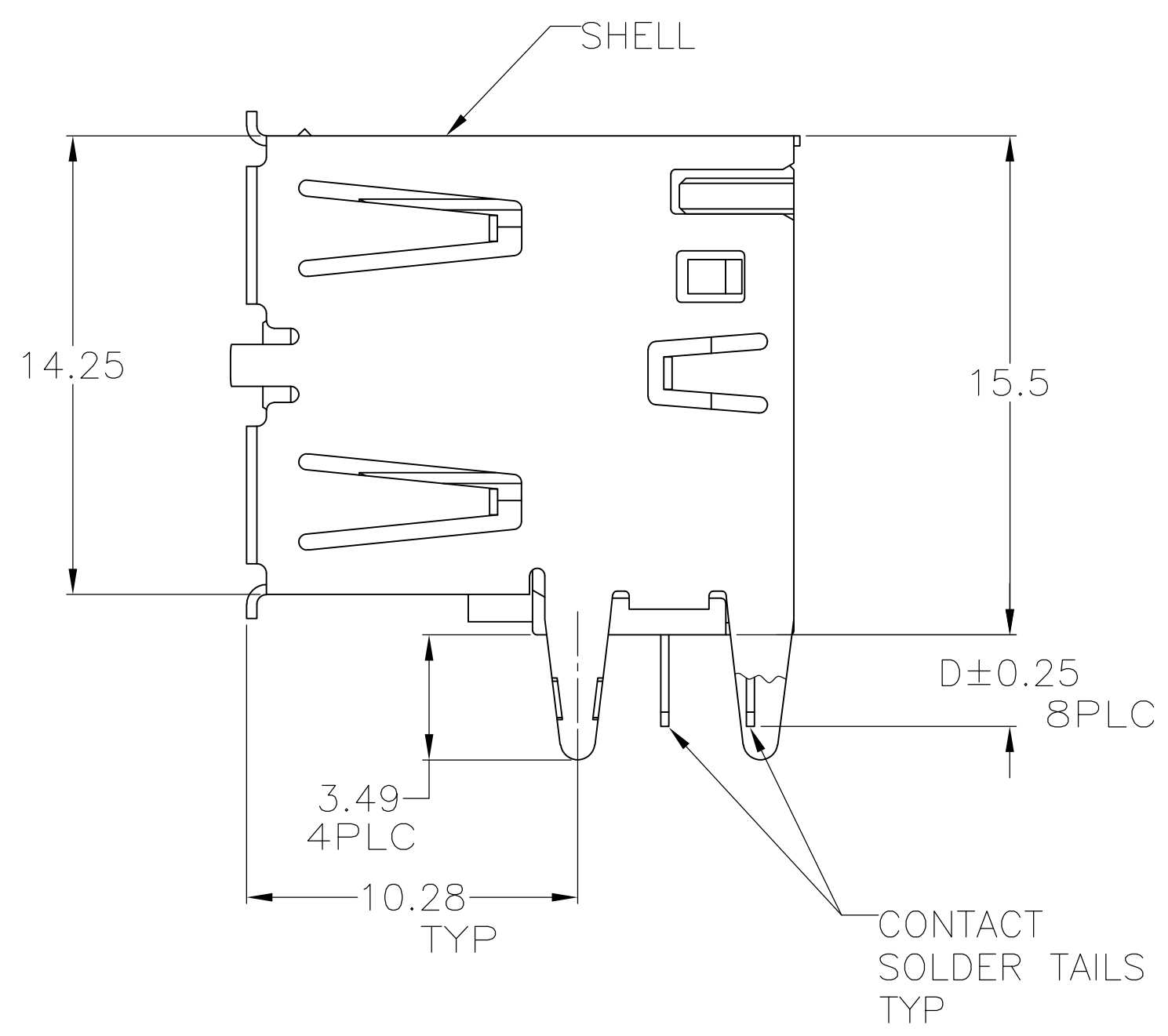
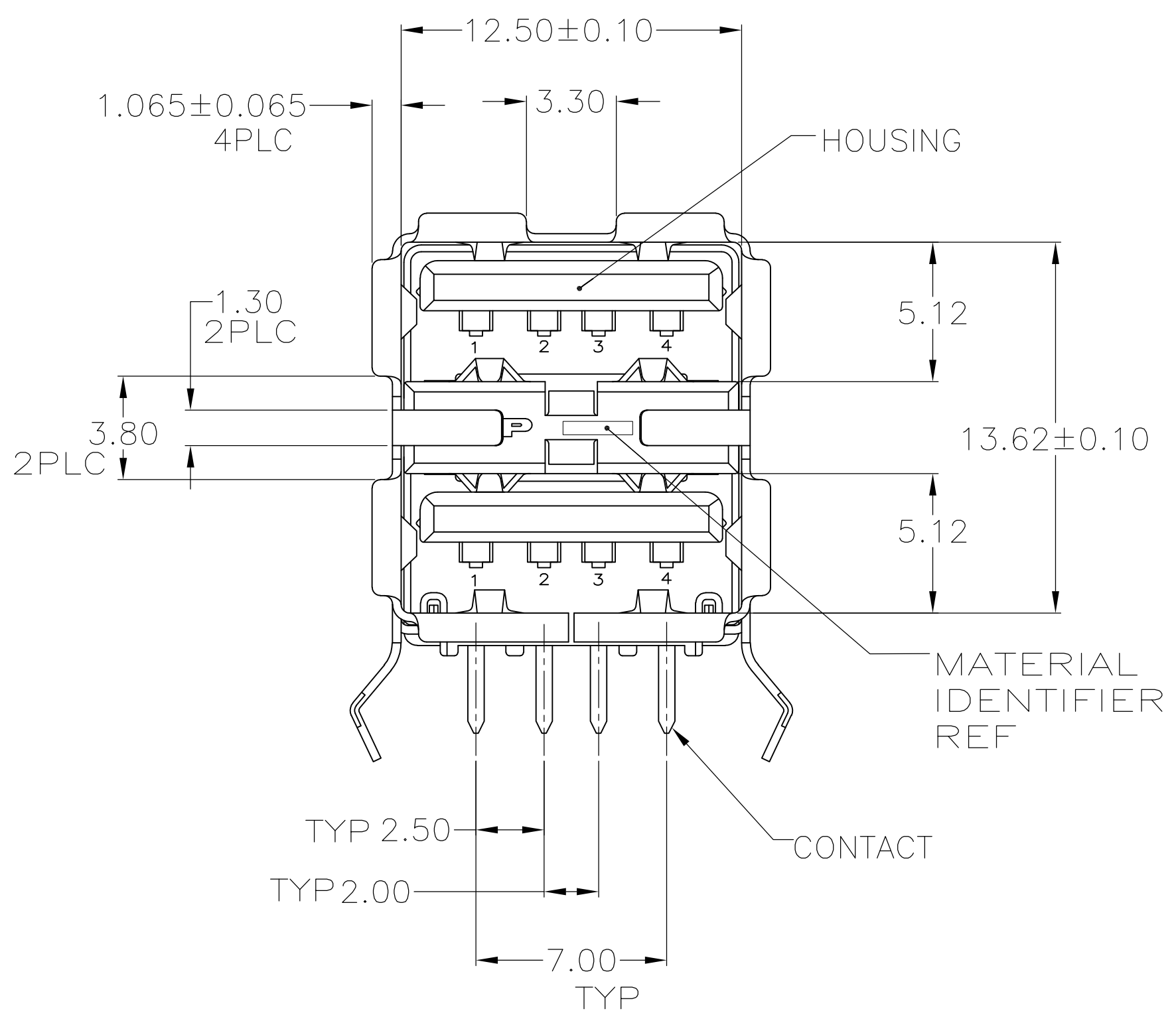


- 1 MATERIAL:
SHELL & CONTACT-COPPER ALLOY
HOUSING-UL 94V-0 RATED, THERMOPLASTIC,SEE TABLE
- 2 PLATING:
CONTACT- 0.076um MIN. GOLD OVER 0.76um MIN.
PALLADIUM-NICKEL ON MATING AREA ,OR CONTACT ALTERNATE
PLATING 0.76um MIN. GOLD ON MATING AREA.
3.8um MIN. MATTE TIN ON SOLDER TAILS.
BOTH OVER 1.27um MIN. NICKEL.
SHELL:2~6.5um MIN. BRIGHT TIN.
- 3 DATUM AND BASIC DIMENSIONS ESTABLISHED BY CUSTOMER.
- 4 RECOMMENDED PC BOARD THICKNESS 1.57.



RECOMMENDED PC BOARD MOUNTING DIMENSIONS

NO	3.24	BLACK	292323-6
YES	2.29	BLACK	292323-5
YES	2.84	BLACK	292323-4
NO	2.84	NATU	292323-3
NO	2.29	BLAC	292323-2
NO	2.84	BLACK	292323-1

HIGH TEMPERATURE COMPATIBLE	D	HOUSING COLOR	PART NUMBER
-----------------------------	---	---------------	-------------

THIS DRAWING IS A CONTROLLED DOCUMENT.

DIMENSIONS:	mm	TOLERANCES UNLESS OTHERWISE SPECIFIED:	0 PLC ± -	1 PLC ± -	2 PLC ± 0.13	3 PLC ± -	4 PLC ± -	ANGLES ± -
-------------	----	--	-----------	-----------	--------------	-----------	-----------	------------

DWN	SUNNY XU	25FEB2004	Tyco Electronics Corporation Shanghai, P.R.China, 200233
CHK	S. YAO	25FEB04	
APVD	T.SASAKI	25FEB04	
NAME	RECEPTACLE ASSEMBLY ,RIGHT ANGLE STACKED,THRU-HOLE USB		
PRODUCT SPEC	108-1586		RESTRICTED TO
APPLICATION SPEC	114-40054		
SIZE	CAGE CODE	DRAWING NO	
A1	00779	C=292323	
SCALE	5:1	SHEET	1 OF 1
CUSTOMER DRAWING		REV	E1

单击下面可查看定价，库存，交付和生命周期等信息

[>>TE Connectivity\(泰科\)](#)