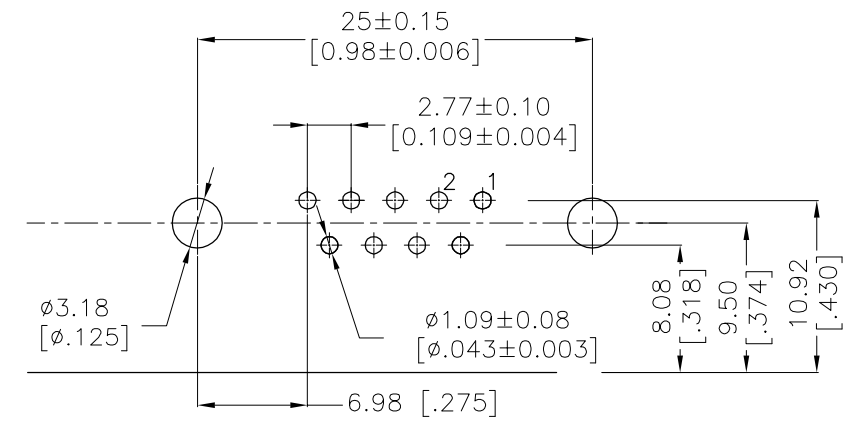


REVISIONS				
P	LTR	DESCRIPTION	DATE	APVD
D		REVISED PER ECO-18-008015	24MAY2018	AP DG

RECOMMENDED PCB LAYOUT  
 TOLERANCE IS ±0.05

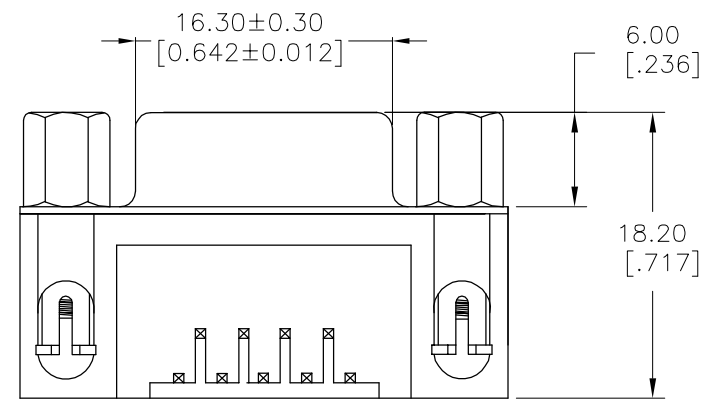
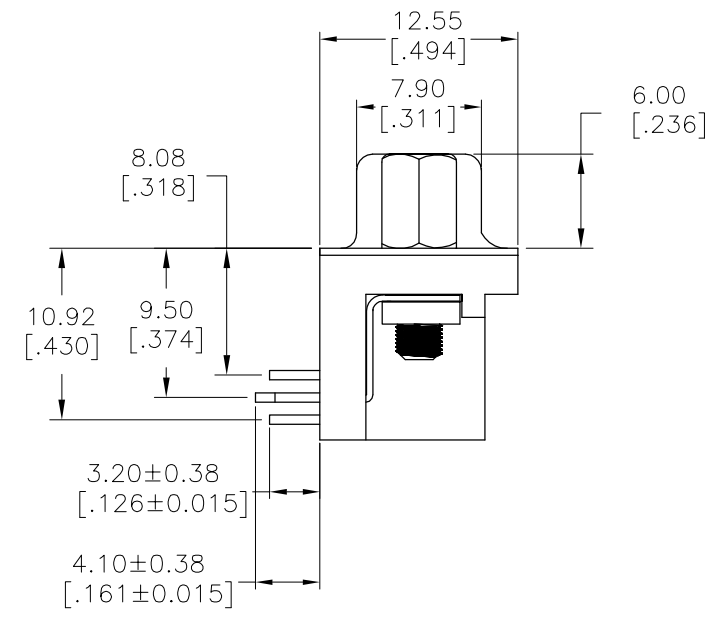
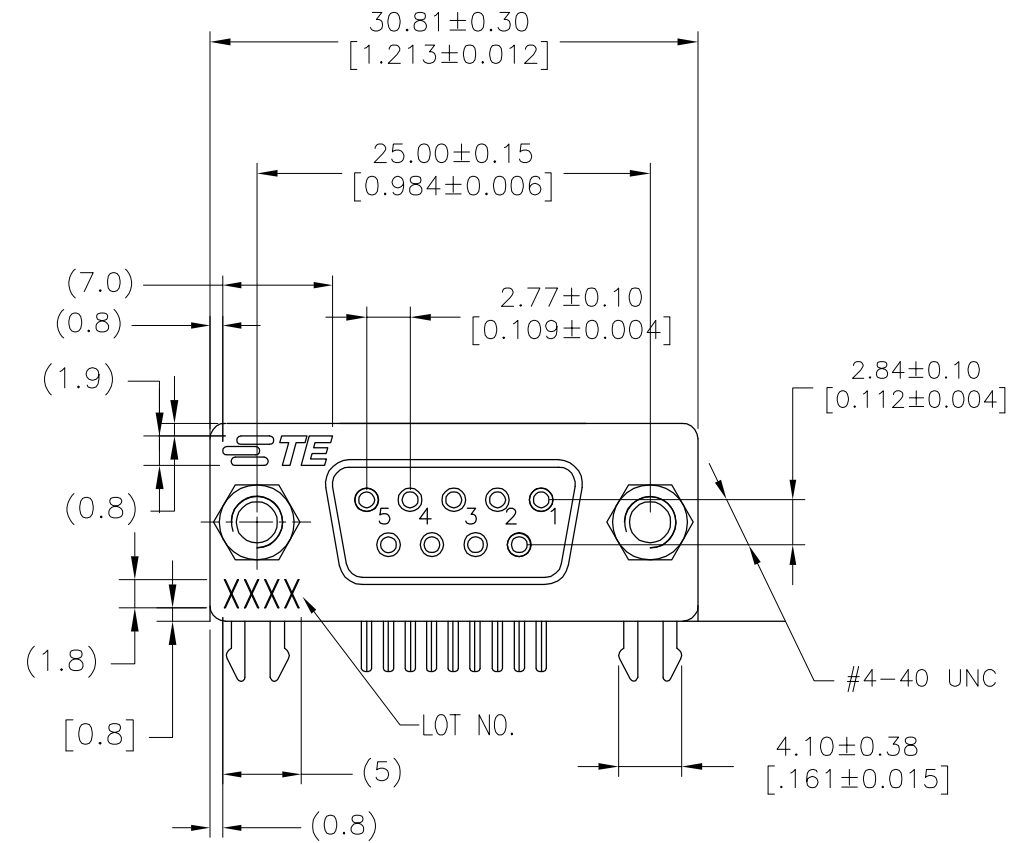


NOTES:

HOUSING:PA9T+GF(UL94V-0) BLACK  
 CONTACT:PHOSPHOR BRONZE  
 " GOLD PLATING ON CONTACT AREA  
 100u" MATTE TIN PLATING ON SOLDERTAIL  
 50u" NICKEL UNDERPLATED OVERALL

HOLDDOWN:BRASS,100u" TIN OVER 50u" NICKEL  
 SHELL:SPCC,NICKEL PLATED  
 RIVET:BRASS,NICKEL PLATED  
 SCREWLOCK:BRASS,NI PLATED

LOT NUMBER "XXXX"  
 STANDS FOR CALENDAR YEAR  
 STANDS FOR WEEK NUMBER



YES	15µ" Au	2311765-2
YES	Au Flash	2311765-1
SCREWLOCK	Contact Area Plating	P/N

THIS DRAWING IS A CONTROLLED DOCUMENT.		DWN AJITH PAI 22FEB2017	TE Connectivity	
DIMENSIONS: mm [INCHES]		CHK DANIEL GORENC 22FEB2017		
TOLERANCES UNLESS OTHERWISE SPECIFIED:		APVD DANIEL GORENC 22FEB2017	NAME AMPLIMITE RECEPTACLE, HD20, RIGHT ANGLE, 9P	
0 PLC ± - 1 PLC ± - 2 PLC ± 0.25 3 PLC ± - 4 PLC ± - ANGLES ± - FINISH -		PRODUCT SPEC 108-130023	APPLICATION SPEC	
MATERIAL		WEIGHT	SIZE A2	CAGE CODE 00779
			DRAWING NO C-2311765	RESTRICTED TO
		CUSTOMER DRAWING	SCALE 3:1	SHEET 1 of 1
			REV D	

单击下面可查看定价，库存，交付和生命周期等信息

[>>TE Connectivity\(泰科\)](#)