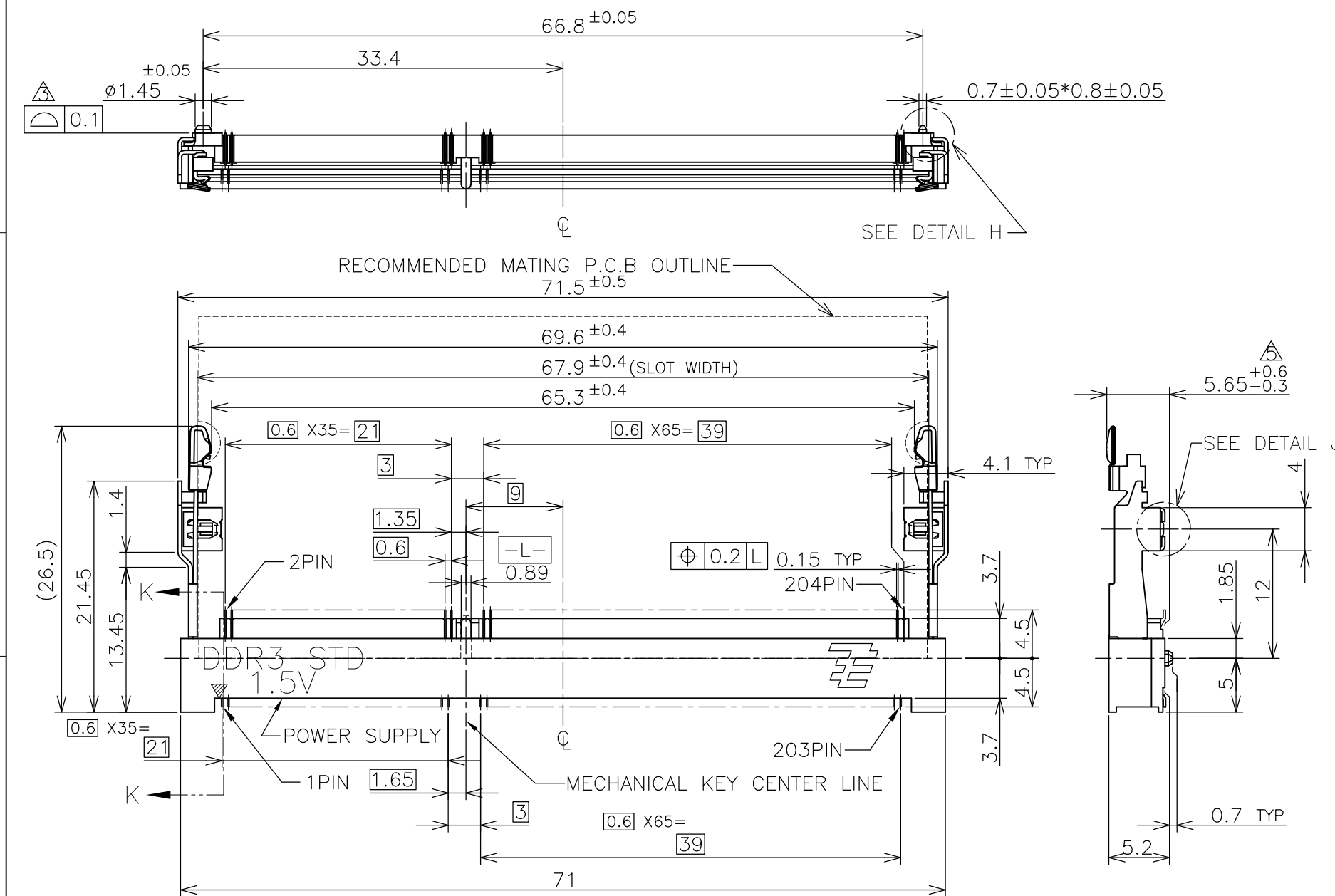


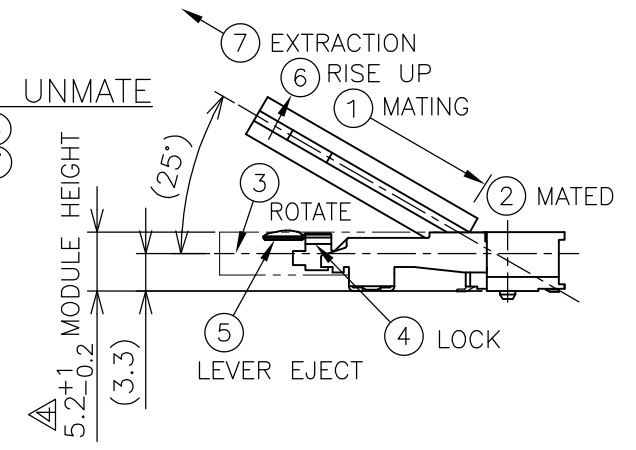
THIS DRAWING IS UNPUBLISHED. RELEASED FOR PUBLICATION SEP ,2007.  
 © COPYRIGHT 2007 By - ALL RIGHTS RESERVED.

LOC		DIST		REVISIONS			
ES		P	LTR	DESCRIPTION	DATE	DWN	APVD
			C	REVISED PER ECR-12-004002	01MAR2012	W.W	C.W



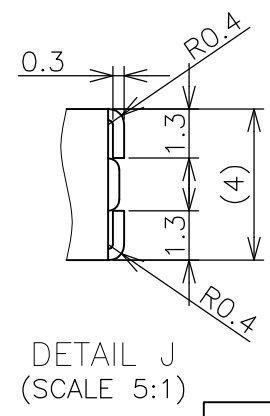
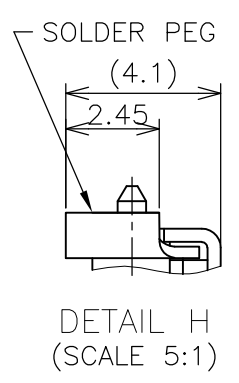
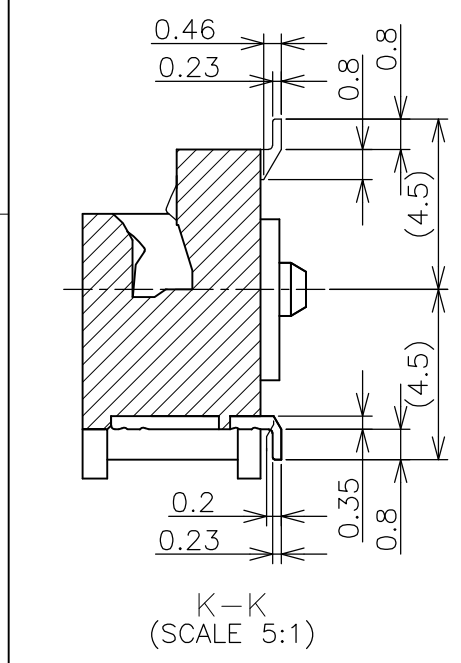
HOW TO MATE AND UNMATE

- MATE: ① → ④
- UNMATE: ⑤ → ⑦



(APPLIED TO SHEET 1-2)

- MATERIAL ; HOUSING: HIGH TEMPERATURE THERMO PLASTIC UL94V-0  
 COLOR: BLACK  
 CONTACT: COPPER ARROY  
 LOCK LEVER: STAINLESS STEEL  
 PEG: COPPER ARROY
  - 2-1. FINISH ; CONTACT AREA: GOLD FLASH  
 ALL OVER NICKEL.  
 SOLDERING AREA: GOLD FLASH PLATING  
 PEG: MATTE TIN PLATING
  - 2-2. FINISH ; CONTACT AREA: 0.000254MIN GOLD  
 ALL OVER NICKEL.  
 SOLDERING AREA: GOLD FLASH PLATING  
 PEG: MATTE TIN PLATING.
- △ COPLANARITY: 0.1 MAX. (BEFORE SOLDERING)  
 △ THE FLOATING VALUE BY SOLDERING IS NOT INCLUDED.  
 △ NOT MATING CONDITION.
6. IF THE MODULE DOESN'T INSERT AND LOCK IN THE LATCH SMOOTHLY, OPEN WIDE BOTH LATCHES BY MANUAL. AND THE MODULE MUST BE INSERTED AND LOCKED IN THE LATCH.



GENERAL TOLERANCE  
 10 ≥ : ±0.2  
 30 ≥ > 10 : ±0.25  
 100 ≥ > 30 : ±0.3  
 ANGLES : ±3°

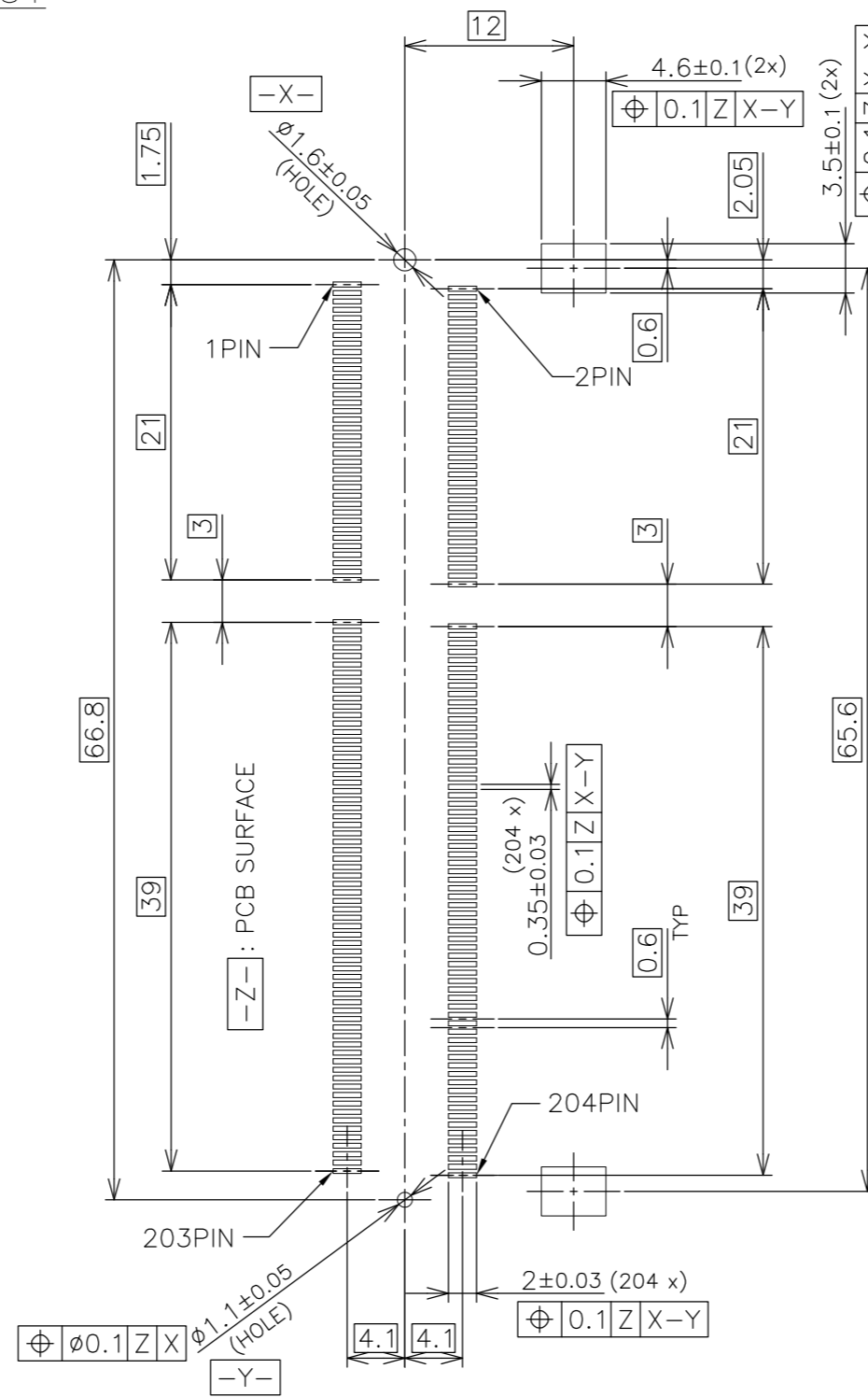
AVAILABLE	EMBOSS (SEE SHEET 4)	WITHBOSS	BLACK	NOTE 2-2	1.5V	204	1932207-2
AVAILABLE	EMBOSS (SEE SHEET 4)	WITHBOSS	BLACK	NOTE 2-1	1.5V	204	1932207-1
TOOLING STATUS	PACKAGING TYPE	REMARK	HOUSING COLOR	FINISH	POWER SUPPLY	POS	PART NO.

THIS DRAWING IS A CONTROLLED DOCUMENT.


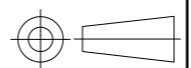
DWN	B.WONG	25JUN09	 TE Connectivity NAME DDR3 SODIMM SOCKET 0.6mm PITCH 204POS 5.2mm HEIGHT STANDARD TYPE				
CHK	W.COREL						
APVD	Y.STEVEN	25JUN09					
PRODUCT SPEC	108-78493						
APPLICATION SPEC			SIZE	CAGE CODE	DRAWING NO	RESTRICTED TO	
WEIGHT	4.4g		A3	00779	C-1932207	-	
CUSTOMER DRAWING			SCALE	2:1	SHEET	1 OF 4	REV
							C

P	LTR	DESCRIPTION	DATE	DWN	APVD
-	-	SEE SHEET 1	-	-	-

REFERENCE P.C.BOARD PATTERN LAYOUT  
(CONNECTOR MOUNTING SIDE)

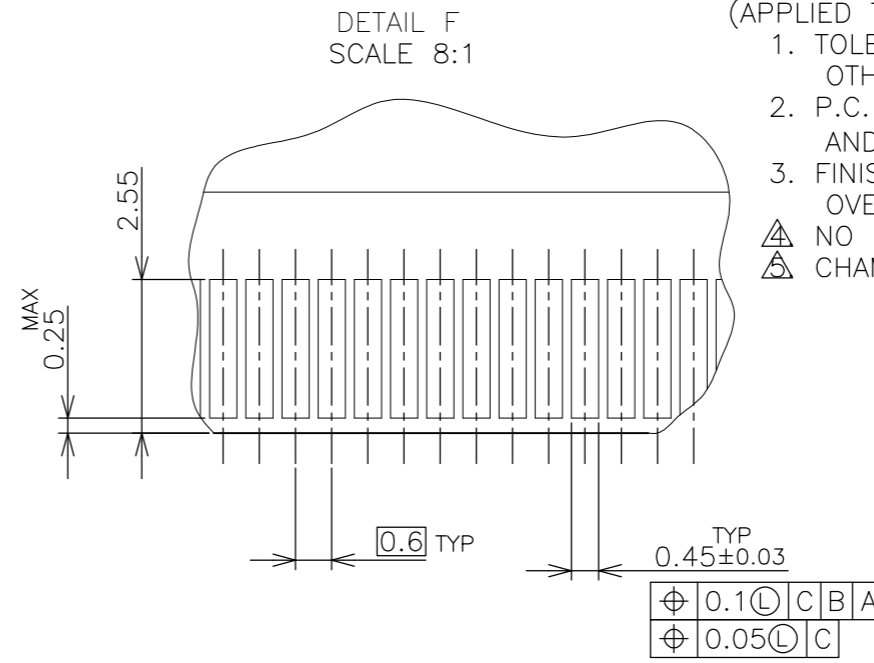
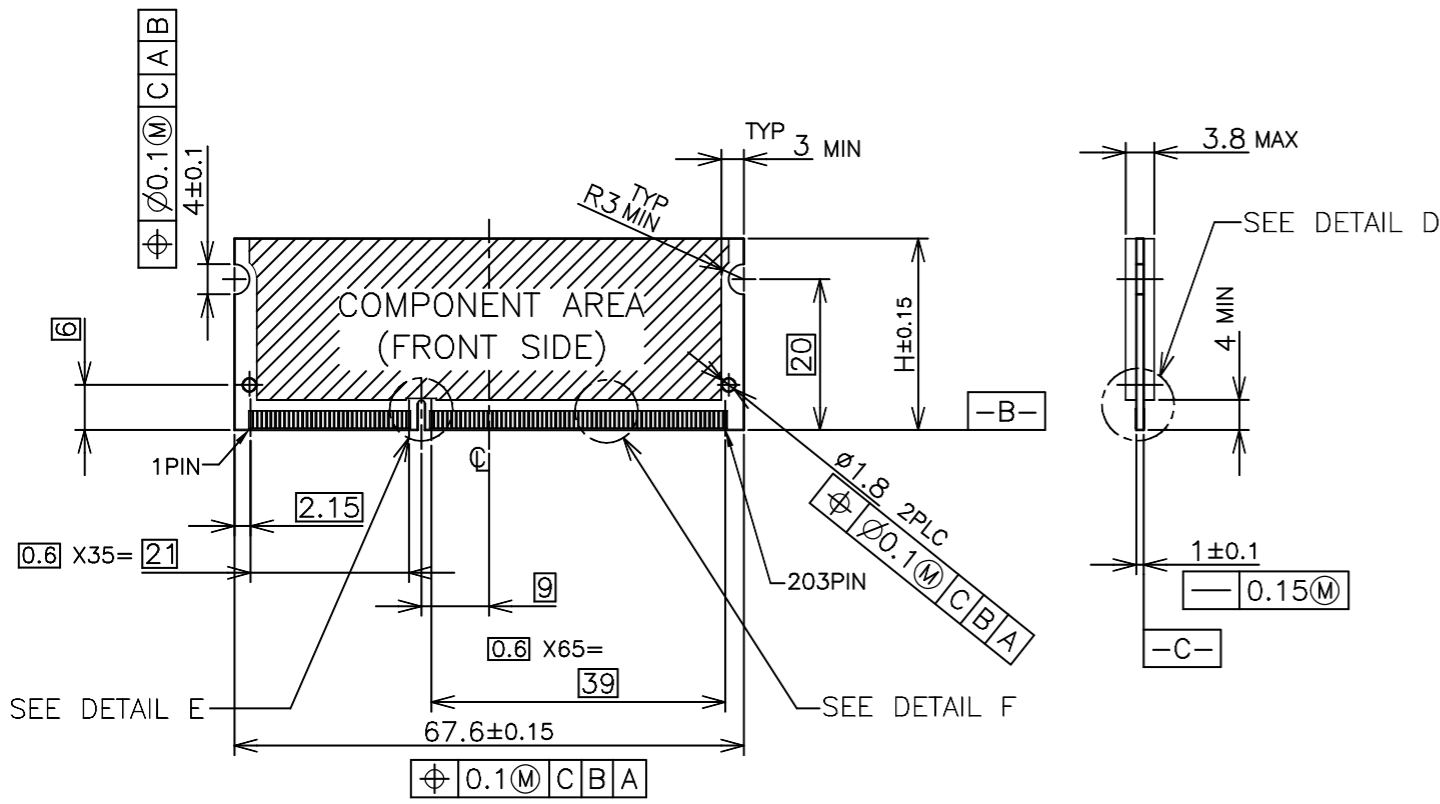


STD TYPE

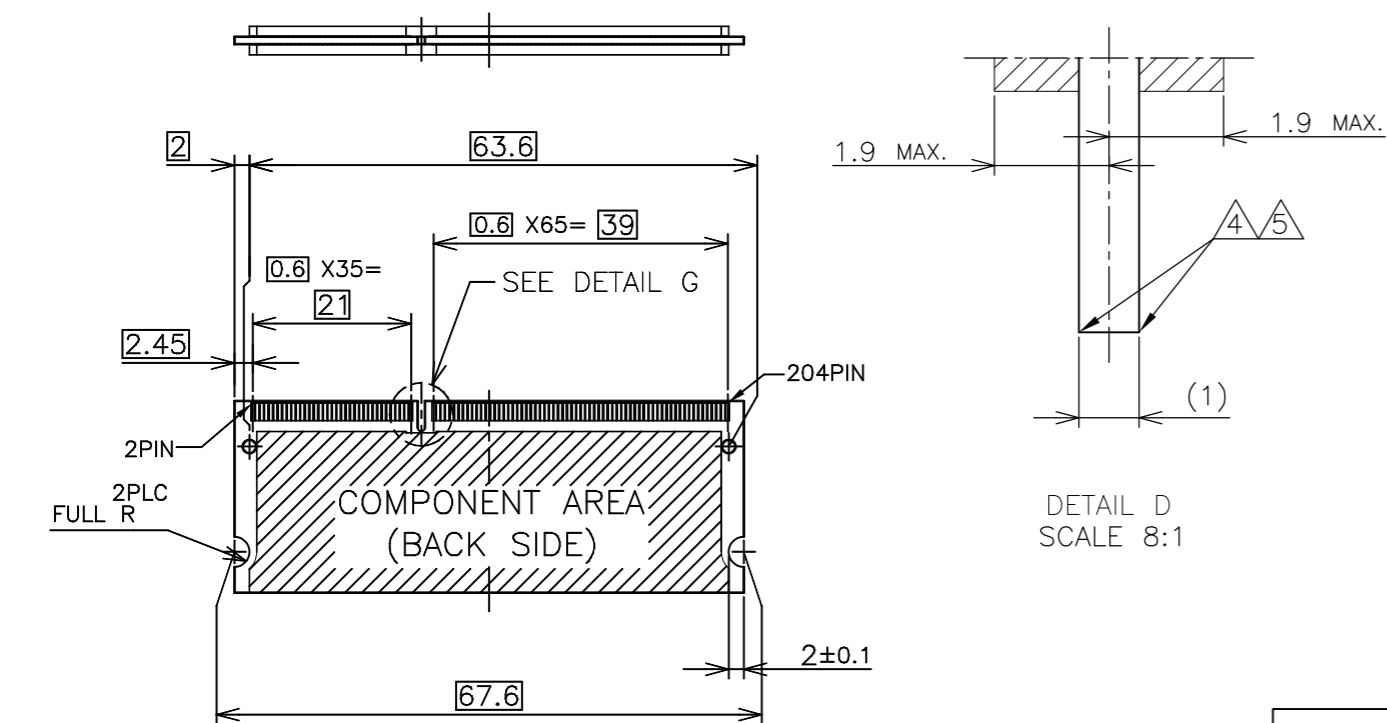
THIS DRAWING IS A CONTROLLED DOCUMENT.		DWN		 <b>TE Connectivity</b>			
DIMENSIONS: MM		CHK				NAME	
		APVD				DDR3 SODIMM SOCKET 0.6mm PITCH 204POS 5.2mm HEIGHT STANDARD TYPE	
TOLERANCES UNLESS OTHERWISE SPECIFIED:		PRODUCT SPEC				SIZE	
0 PLC ± 1 PLC ± 2 PLC ± 3 PLC ± 4 PLC ± ANGLES ± MATERIAL FINISH		APPLICATION SPEC		CAGE CODE			
		WEIGHT		DRAWING NO			
		CUSTOMER DRAWING		A3 00779 C-1932207			
		SCALE		RESTRICTED TO			
		2:1		-			
		SHEET		REV			
		2 OF 4		C			

P	LTR	DESCRIPTION	DATE	DWN	APVD
-	-	SEE SHEET 1	-	-	-

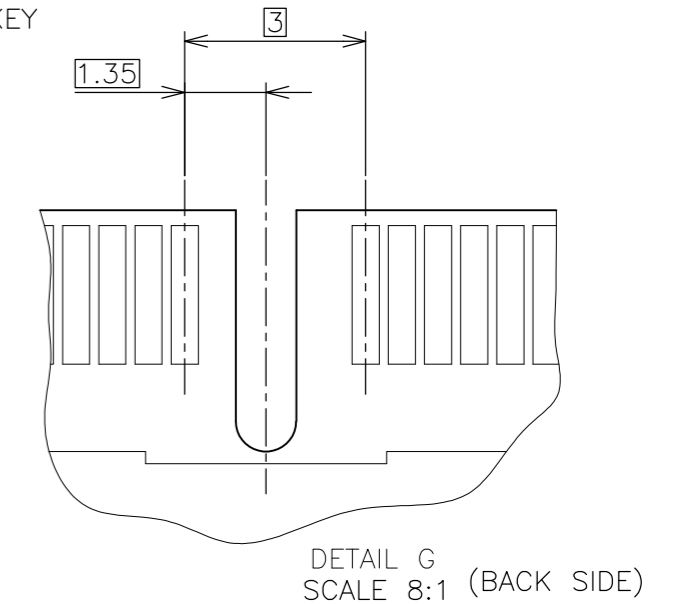
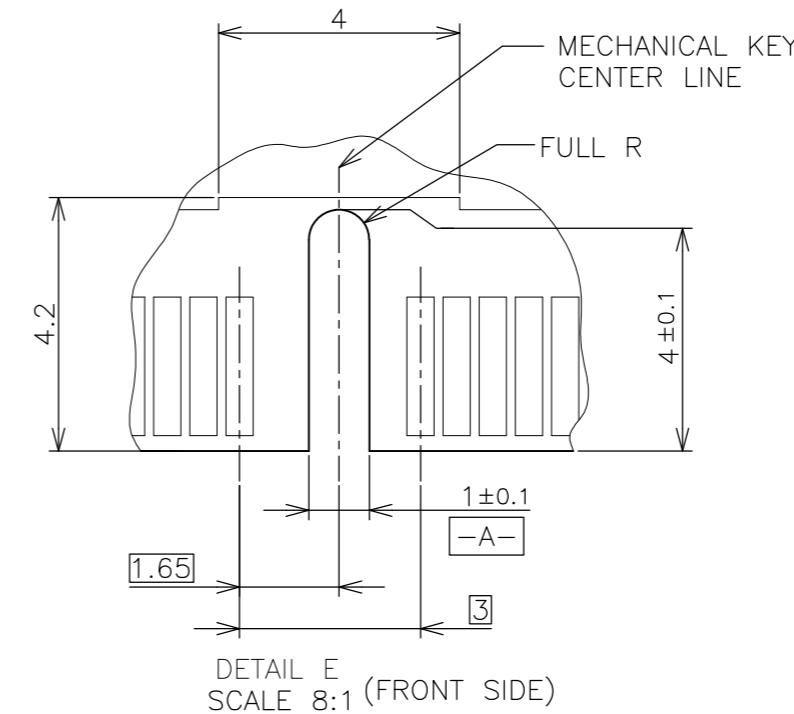
# REFERENCE MATING P.C.B CONFIGURATION



- (APPLIED TO SHEET 3)
1. TOLERANCES ON ALL DIMENSIONS ±0.15 UNLESS OTHERWISE SPECIFIED.
  2. P.C. BOARD THICKNESS APPLIES ACROSS TABS AND INCLUDES PLATING AND/OR METALIZATION.
  3. FINISH OF PAD : GOLD PLATING 0.00076 MIN. OVER Ni PLATING 0.002MIN.
- ⚠ NO BURR  
⚠ CHAMFER 0.25 MAX x 45° IF EXIST.



DETAIL D SCALE 8:1



30	CA
31.75	BA
25.4	AA
H	SDRAM VARIATIONS

THIS DRAWING IS A CONTROLLED DOCUMENT.		DWN		TE Connectivity	
DIMENSIONS: MM		CHK			
TOLERANCES UNLESS OTHERWISE SPECIFIED:		APVD			
0 PLC ± 1 PLC ± 2 PLC ± 3 PLC ± 4 PLC ± ANGLES ± FINISH ±		PRODUCT SPEC			
MATERIAL		WEIGHT		NAME	
		CUSTOMER DRAWING		DDR3 SODIMM SOCKET 0.6mm PITCH 204POS 5.2mm HEIGHT STANDARD TYPE	
		SCALE 2:1		RESTRICTED TO	
		SHEET 3 OF 4		REV C	
		DRAWING NO. A300779		CAGE CODE C-1932207	

THIS DRAWING IS UNPUBLISHED.

RELEASED FOR PUBLICATION SEP , 2007.

© COPYRIGHT 2007 By -

ALL RIGHTS RESERVED.

LOC  
ES

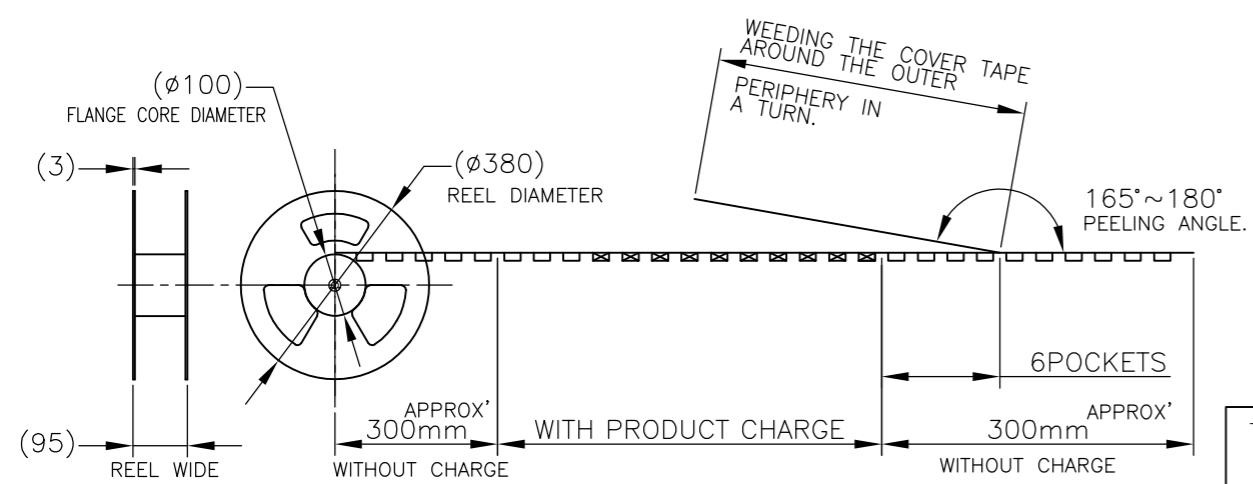
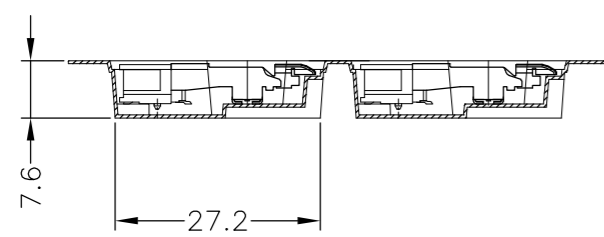
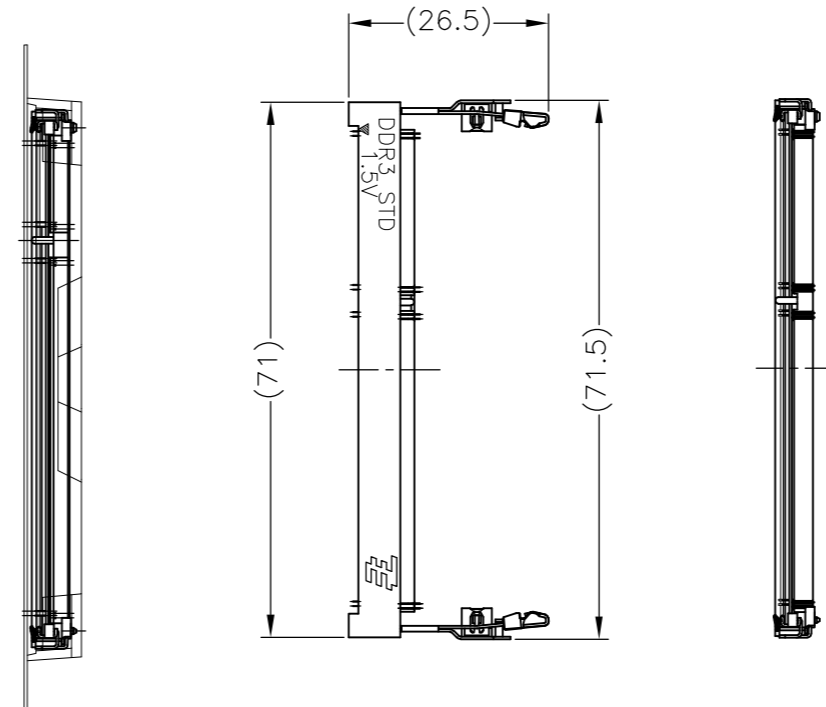
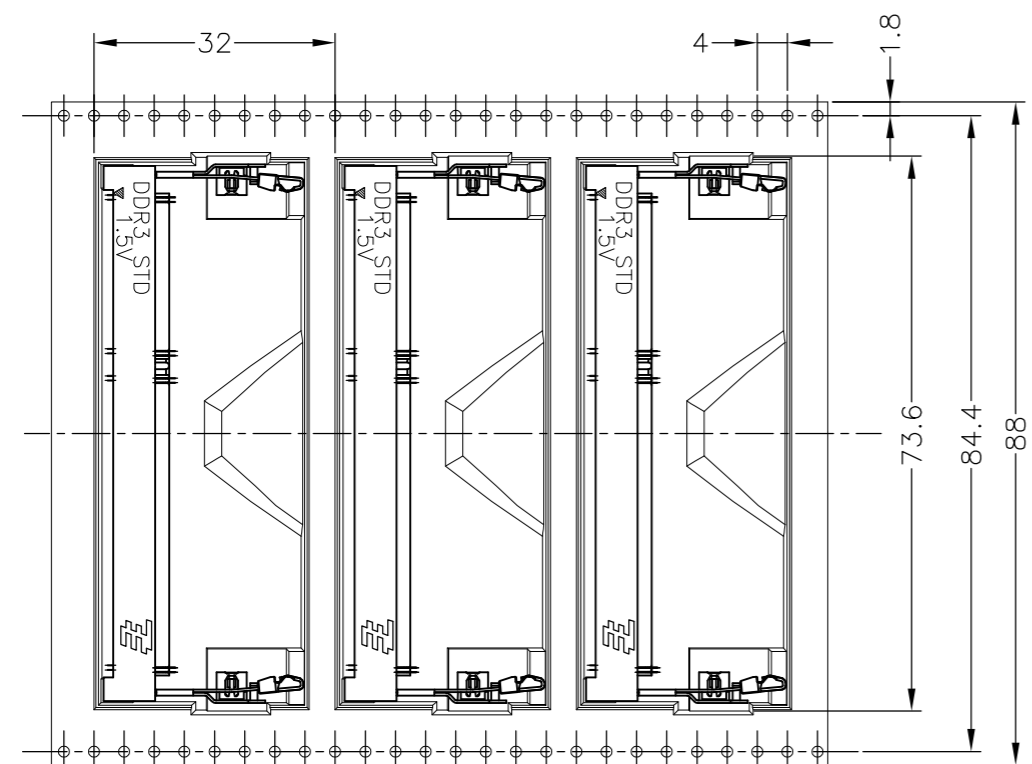
DIST  
/

REVISIONS

P	LTR	DESCRIPTION	DATE	DWN	APVD
-	-	SEE SHEET 1	-	-	-

DIRECTION OFF TOP OF REEL →

- (APPLIED TO SHEET 4)
1. THE DIRECTION OF EACH CONNECTOR ON A EMBOSS IS REFERRED TO THIS DRAWING.
  2. GENERAL TOLERANCE: ±0.5, ±3'



FREE SCALE

THIS DRAWING IS A CONTROLLED DOCUMENT.

DIMENSIONS: MM	TOLERANCES UNLESS OTHERWISE SPECIFIED:
	0 PLC ± 0.5
	1 PLC ± 0.5
	2 PLC ± 0.5
	3 PLC ± 0.5
	4 PLC ± 0.5
	ANGLES ± 3'
MATERIAL	FINISH

DWN
CHK
APVD
PRODUCT SPEC
APPLICATION SPEC
WEIGHT
CUSTOMER DRAWING

300EA	1932207-2		
300EA	1932207-1		
QTY/REEL	PART NO.		
<b>STE</b> TE Connectivity			
NAME DDR3 SODIMM SOCKET 0.6mm PITCH 204POS 5.2mm HEIGHT STANDARD TYPE			
SIZE	CAGE CODE	DRAWING NO	RESTRICTED TO
A3	00779	C-1932207	-
SCALE 1:2		SHEET 4 OF 4	REV C

单击下面可查看定价，库存，交付和生命周期等信息

[>>TE Connectivity\(泰科\)](#)