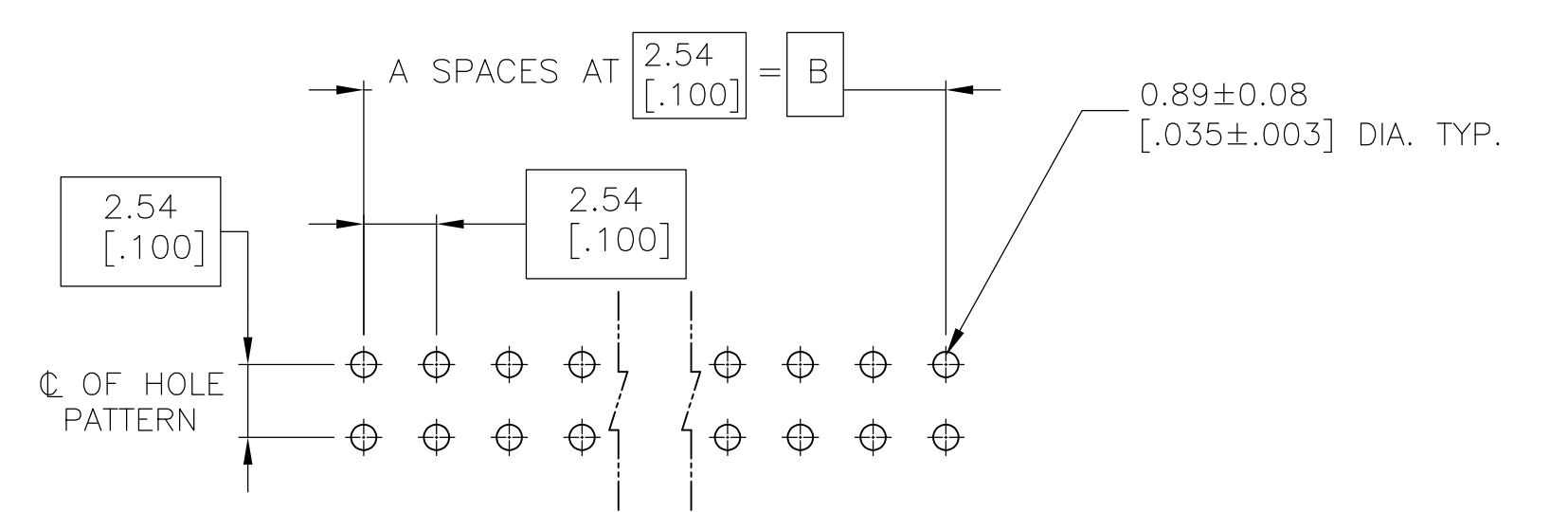
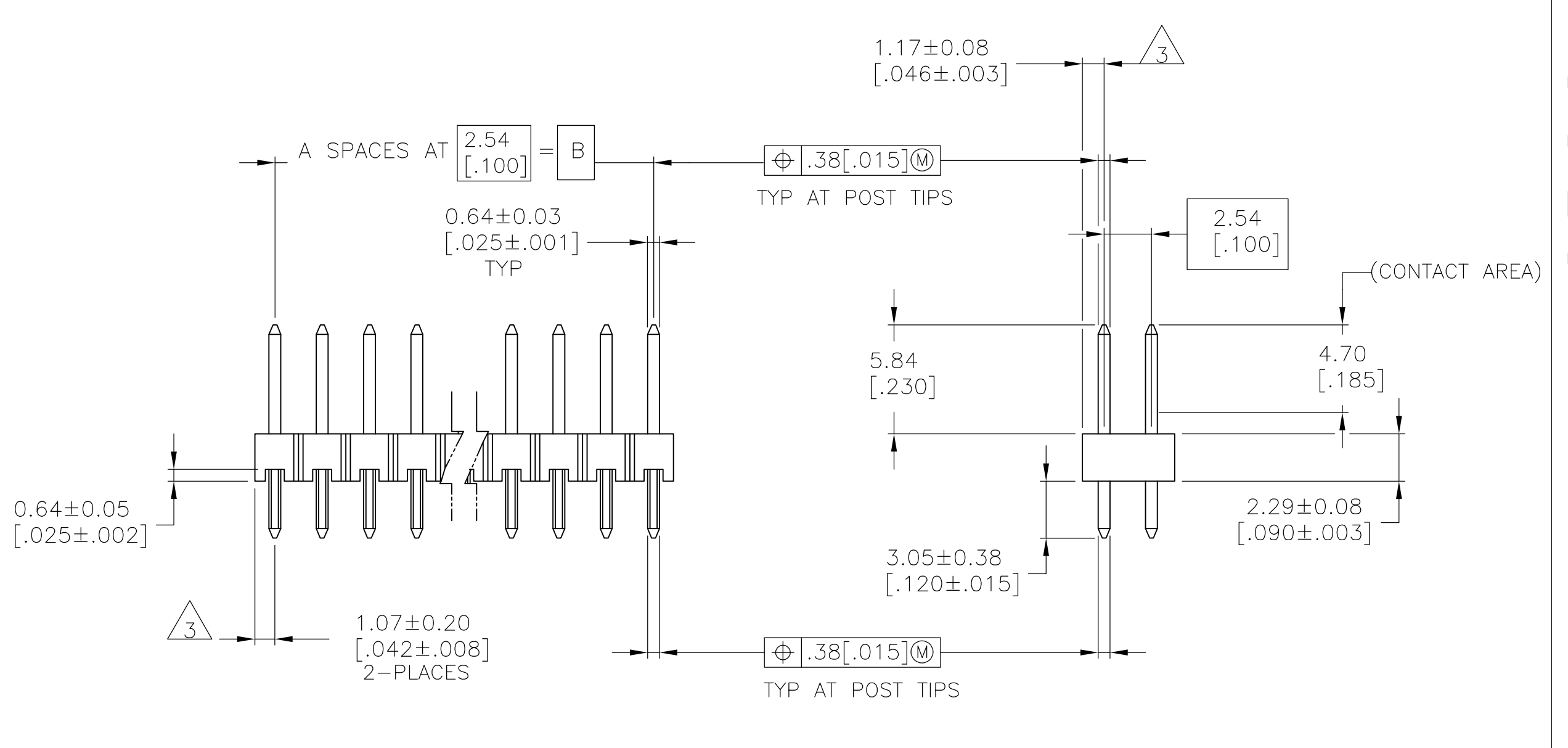
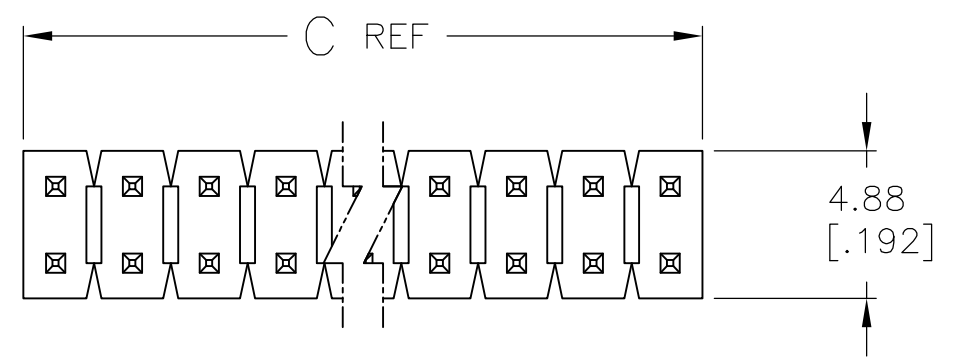


- 1 ASSEMBLY MAY BE BROKEN TO THE DESIRED NUMBER OF POSITIONS
- 2 TRUE POSITION TOLERANCE OF THE POST TIPS APPLIES WHEN THE HEADER IS HELD FLAT AGAINST THE PRINTED CIRCUIT BOARD
- 3 THE NOTED DIMENSIONS APPLY AT THE INTERSECTION OF THE POST AND HOUSING
- 4 FINISH: 0.000025 [.000001] GOLD ON CONTACT AREA,
0.00127-0.00508 [.000050-.000200] MATTE TIN-LEAD
ON SOLDER TAIL, ALL OVER 0.00076-0.00203 [.000030-.000080] NICKEL.
- 5 MATERIAL: HOUSING-FLAME RETARDANT THERMOPLASTIC, COLOR:BLACK,
POST: COPPER ALLOY
- 6 FINISH: 0.000025 [.000001] GOLD ON CONTACT AREA,
0.00127-0.00508 [.000050-.000200] MATTE TIN
ON SOLDER TAIL, ALL OVER 0.00076-0.00203 [.000030-.000080] NICKEL.
- 7 HIGH TEMPERATURE CONFIGURATION
- 8 OBSOLETE PARTS: OBSOLETE CIS STREAMLINING PER D.RENAUD/D.SINISI



RECOMMENDED HOLE LAYOUT

REMARKS	PLATING	C	B	A	NO. OF POSITIONS	PART NUMBER
7	6	101.19 [3.984]	99.06 [3.900]	39	80	9-146406-0
7	6	98.65 [3.884]	96.52 [3.800]	38	78	8-146406-9
7	6	96.11 [3.784]	93.98 [3.700]	37	76	8-146406-8
7	6	93.57 [3.684]	91.44 [3.600]	36	74	8-146406-7
7	6	91.03 [3.584]	88.90 [3.500]	35	72	8-146406-6
7	6	88.49 [3.484]	86.36 [3.400]	34	70	8-146406-5
7	6	85.95 [3.384]	83.82 [3.300]	33	68	8-146406-4
7	6	83.41 [3.284]	81.28 [3.200]	32	66	8-146406-3
7	6	80.87 [3.184]	78.74 [3.100]	31	64	8-146406-2
7	6	78.33 [3.084]	76.20 [3.000]	30	62	8-146406-1
7	6	75.79 [2.984]	73.66 [2.900]	29	60	8-146406-0
7	6	73.25 [2.884]	71.12 [2.800]	28	58	7-146406-9
7	6	70.71 [2.784]	68.58 [2.700]	27	56	7-146406-8
7	6	68.17 [2.684]	66.04 [2.600]	26	54	7-146406-7
7	6	65.63 [2.584]	63.5 [2.500]	25	52	7-146406-6
7	6	63.09 [2.484]	60.96 [2.400]	24	50	7-146406-5
7	6	60.55 [2.384]	58.42 [2.300]	23	48	7-146406-4
7	6	58.01 [2.284]	55.88 [2.200]	22	46	7-146406-3
7	6	55.47 [2.184]	53.34 [2.100]	21	44	7-146406-2
7	6	52.93 [2.084]	50.80 [2.000]	20	42	7-146406-1
7	6	50.39 [1.984]	48.26 [1.900]	19	40	7-146406-0
7	6	47.85 [1.884]	45.72 [1.800]	18	38	6-146406-9
7	6	45.31 [1.784]	43.18 [1.700]	17	36	6-146406-8
7	6	42.77 [1.684]	40.64 [1.600]	16	34	6-146406-7
7	6	40.23 [1.584]	38.10 [1.500]	15	32	6-146406-6
7	6	37.69 [1.484]	35.56 [1.400]	14	30	6-146406-5
7	6	35.15 [1.384]	33.02 [1.300]	13	28	6-146406-4
7	6	32.61 [1.284]	30.48 [1.200]	12	26	6-146406-3
7	6	30.07 [1.184]	27.94 [1.100]	11	24	6-146406-2
7	6	27.53 [1.084]	25.40 [1.000]	10	22	6-146406-1
7	6	24.99 [.984]	22.86 [.900]	9	20	6-146406-0
7	6	22.45 [.884]	20.32 [.800]	8	18	5-146406-9
7	6	19.91 [.784]	17.78 [.700]	7	16	5-146406-8
7	6	17.37 [.684]	15.24 [.600]	6	14	5-146406-7
7	6	14.83 [.584]	12.70 [.500]	5	12	5-146406-6
7	6	12.29 [.484]	10.16 [.400]	4	10	5-146406-5
7	6	9.75 [.384]	7.62 [.300]	3	8	5-146406-4
7	6	7.21 [.284]	5.08 [.200]	2	6	5-146406-3
7	6	4.67 [.184]	2.54 [.100]	1	4	5-146406-2
7	6	2.13 [.084]	-	0	2	5-146406-1

REMARKS	PLATING	C	B	A	NO. OF POSITIONS	PART NUMBER
4		101.19 [3.984]	99.06 [3.900]	39	80	4-146406-0
4		98.65 [3.884]	96.52 [3.800]	38	78	3-146406-9
4		96.11 [3.784]	93.98 [3.700]	37	76	3-146406-8
4		93.57 [3.684]	91.44 [3.600]	36	74	3-146406-7
4		91.03 [3.584]	88.90 [3.500]	35	72	3-146406-6
4		88.49 [3.484]	86.36 [3.400]	34	70	3-146406-5
4		85.95 [3.384]	83.82 [3.300]	33	68	3-146406-4
4		83.41 [3.284]	81.28 [3.200]	32	66	3-146406-3
4		80.87 [3.184]	78.74 [3.100]	31	64	3-146406-2
4		78.33 [3.084]	76.20 [3.000]	30	62	3-146406-1
4		75.79 [2.984]	73.66 [2.900]	29	60	3-146406-0
4		73.25 [2.884]	71.12 [2.800]	28	58	2-146406-9
4		70.71 [2.784]	68.58 [2.700]	27	56	2-146406-8
4		68.17 [2.684]	66.04 [2.600]	26	54	2-146406-7
4		65.63 [2.584]	63.5 [2.500]	25	52	2-146406-6
4		63.09 [2.484]	60.96 [2.400]	24	50	2-146406-5
4		60.55 [2.384]	58.42 [2.300]	23	48	2-146406-4
4		58.01 [2.284]	55.88 [2.200]	22	46	2-146406-3
4		55.47 [2.184]	53.34 [2.100]	21	44	2-146406-2
4		52.93 [2.084]	50.80 [2.000]	20	42	2-146406-1
4		50.39 [1.984]	48.26 [1.900]	19	40	2-146406-0
4		47.85 [1.884]	45.72 [1.800]	18	38	1-146406-9
4		45.31 [1.784]	43.18 [1.700]	17	36	1-146406-8
4		42.77 [1.684]	40.64 [1.600]	16	34	1-146406-7
4		40.23 [1.584]	38.10 [1.500]	15	32	1-146406-6
4		37.69 [1.484]	35.56 [1.400]	14	30	1-146406-5
4		35.15 [1.384]	33.02 [1.300]	13	28	1-146406-4
4		32.61 [1.284]	30.48 [1.200]	12	26	1-146406-3
4		30.07 [1.184]	27.94 [1.100]	11	24	1-146406-2
4		27.53 [1.084]	25.40 [1.000]	10	22	1-146406-1
4		24.99 [.984]	22.86 [.900]	9	20	1-146406-0
4		22.45 [.884]	20.32 [.800]	8	18	146406-9
4		19.91 [.784]	17.78 [.700]	7	16	146406-8
4		17.37 [.684]	15.24 [.600]	6	14	146406-7
4		14.83 [.584]	12.70 [.500]	5	12	146406-6
4		12.29 [.484]	10.16 [.400]	4	10	146406-5
4		9.75 [.384]	7.62 [.300]	3	8	146406-4
4		7.21 [.284]	5.08 [.200]	2	6	146406-3
4		4.67 [.184]	2.54 [.100]	1	4	146406-2
4		2.13 [.084]	-	0	2	146406-1

THIS DRAWING IS A CONTROLLED DOCUMENT.

DIMENSIONS: mm [INCHES]	TOLERANCES UNLESS OTHERWISE SPECIFIED:	0 PLC ± -	1 PLC ± 0.127 [0.005]	2 PLC ± 0.254 [0.010]	3 PLC ± 0.511 [0.020]	4 PLC ± 0.127 [0.005]	ANGLES ± 0.127 [0.005]
-------------------------	----------------------------------------	-----------	-----------------------	-----------------------	-----------------------	-----------------------	------------------------

MATERIAL: 5 FINISH: SEE TABLE

APPROVED: J. KNITTLE 31-08-95

NAME: J. KNITTLE 31-08-95

APPLICATION SPEC: -

WEIGHT: -

CUSTOMER DRAWING: A1 00779 C=146406

SCALE: 4:1 SHEET 1 OF 1 REV D

STE TE Connectivity

HEADER ASSEMBLY, MOD II, BREAKAWAY, DOUBLE ROW, .100 X .100 C/L, VERTICAL, WITH .025 SQ. POSTS

单击下面可查看定价，库存，交付和生命周期等信息

[>>TE Connectivity\(泰科\)](#)