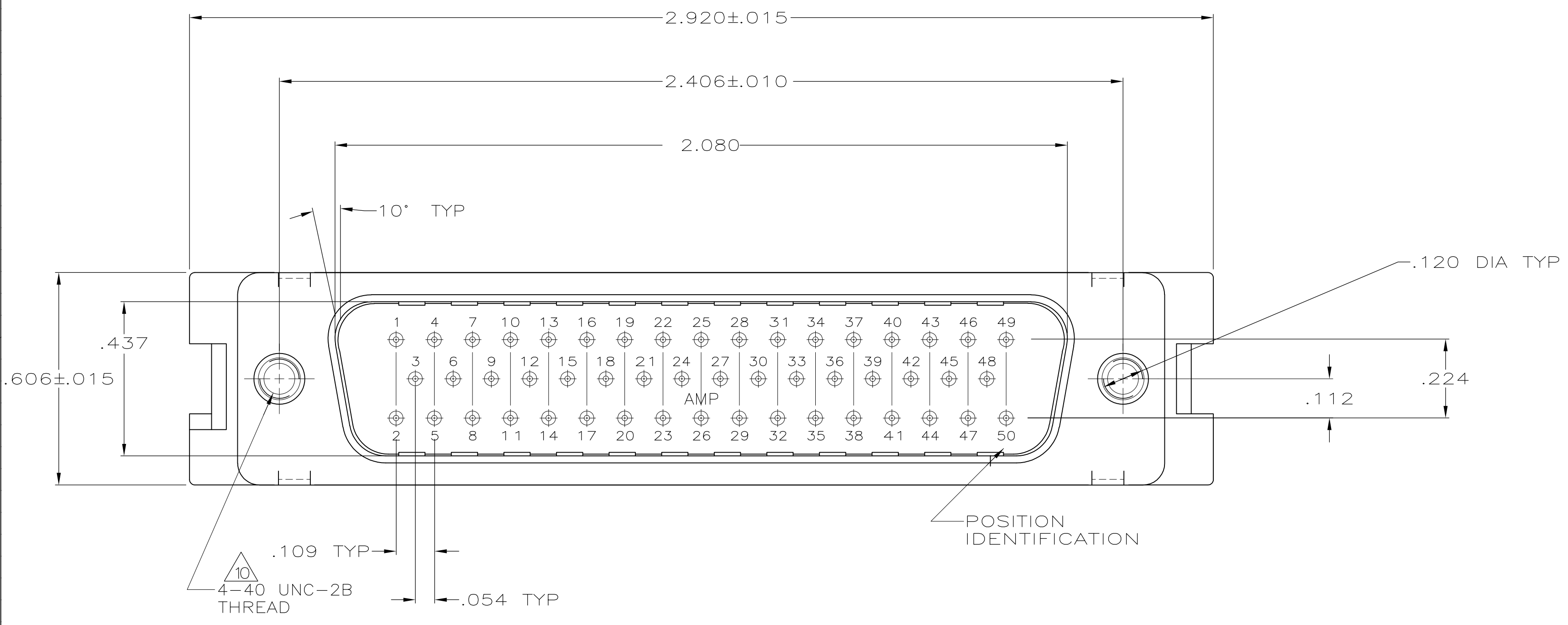
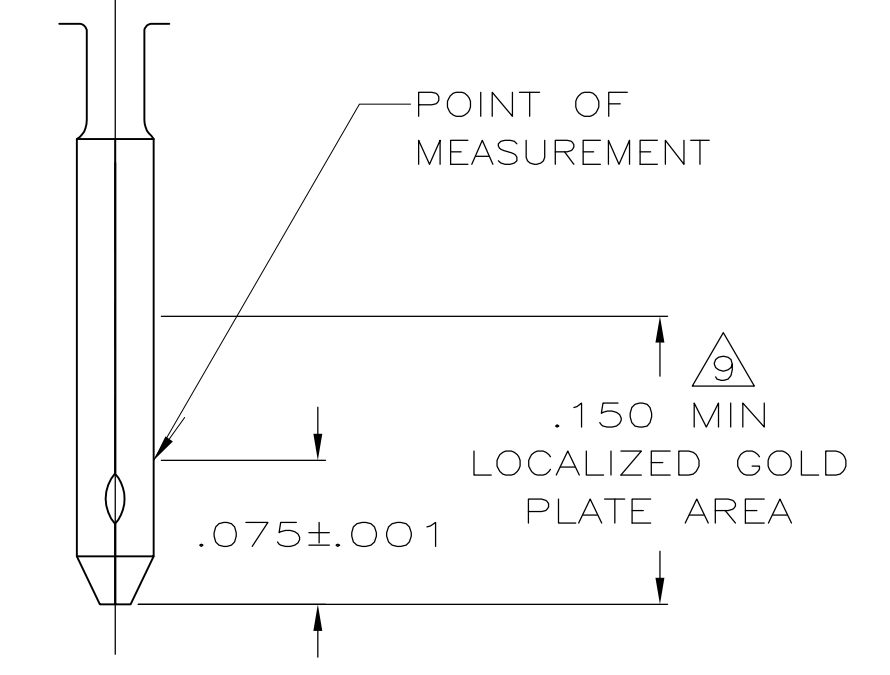
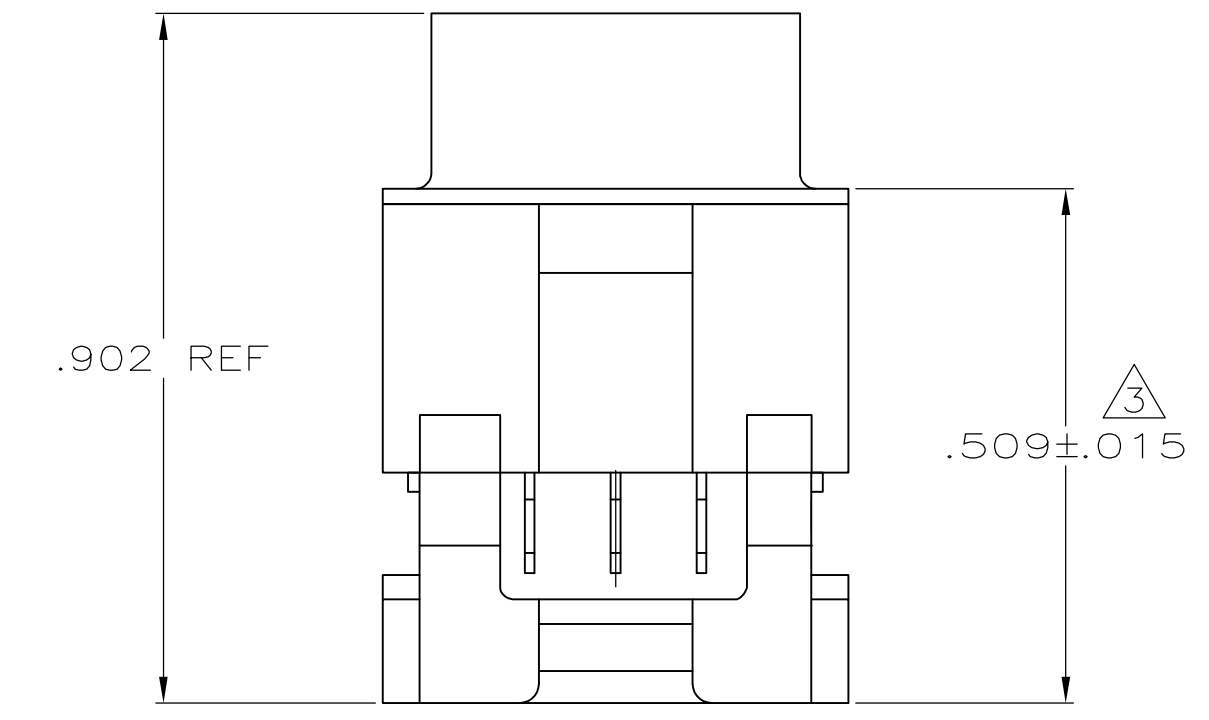
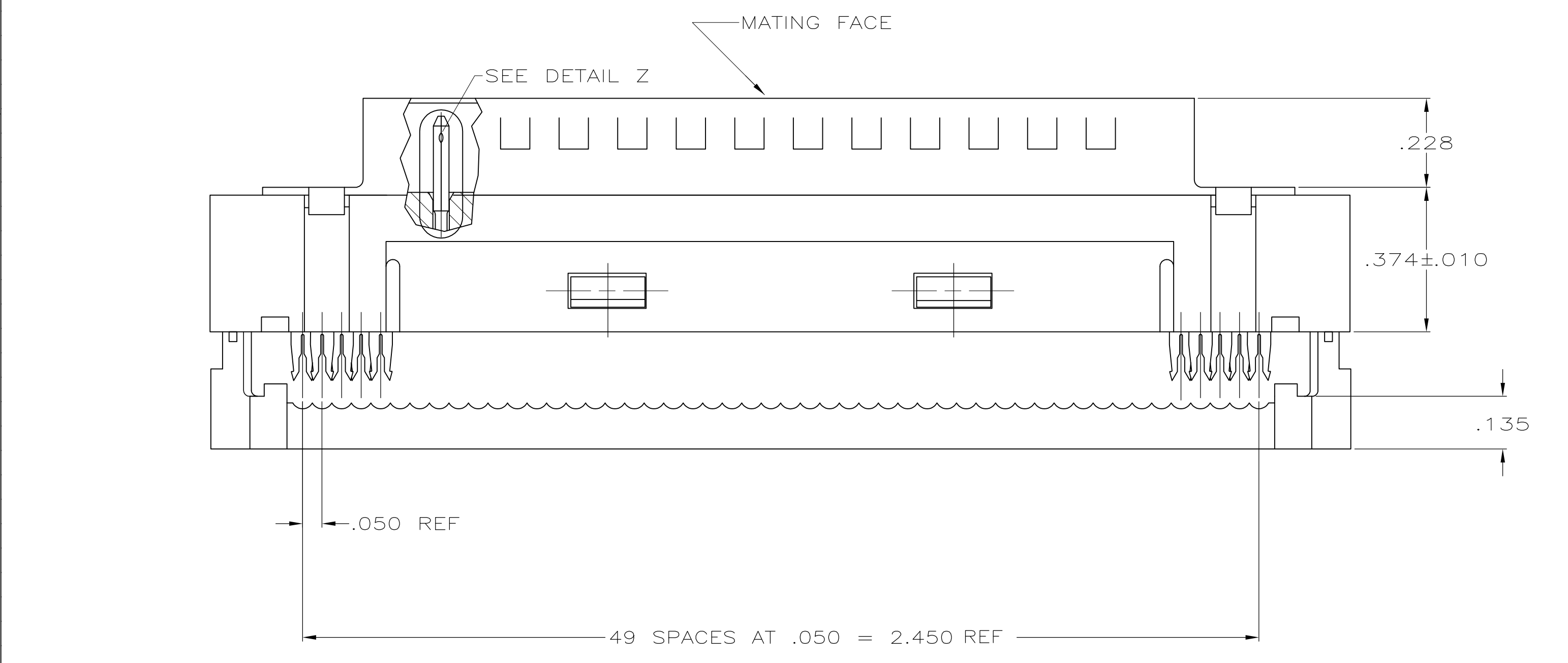


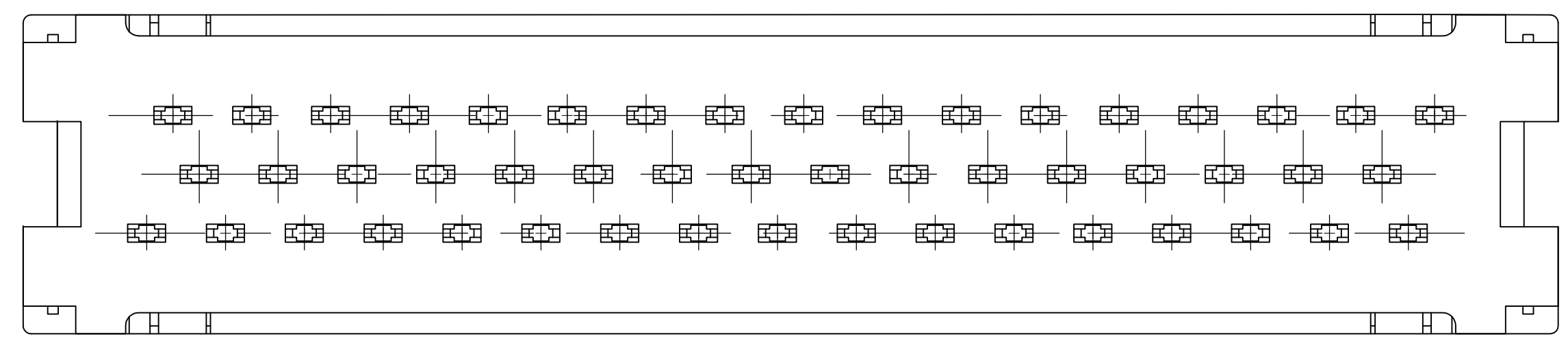
LOC		DIST		REVISIONS			
GP	00	REV	DATE	BY	CHK	APPV	
C1	REVISED PER	ECO-11-004835	11MAR11	RK	HMR		



- CONNECTORS COMPLY WITH AMP SPEC 108-40012.
- CONNECTOR DESIGNED FOR 28 AND 26 AWG STRANDED AND SOLID CONDUCTOR RIBBON CABLE ON .050 CENTER LINE.
- DIMENSION APPLIES TO TERMINATED CONNECTOR.
- MOLDED PARTS: FLAME RETARDANT 94V-0 RATED THERMOPLASTIC; COLOR: BLACK.
- SHELL: STEEL PER QQ-S-698.
- CONTACTS: PH BRZ PER QQ-B-750.
- GOLD PLATING PER MIL-G-45204, TIN PLATING PER MIL-T-10727, NICKEL PLATING PER QQ-N-290.
- SHELL: BRIGHT TIN PLATED.
- CONTACTS:
 .000030 MIN GOLD ON MATING END, .000100-.000200 MATTE TIN ON TERMINATION END, ALL OVER .000050 NICKEL ON ENTIRE CONTACT.
 OR
 GOLD FLASH OVER PALLADIUM-NICKEL ON MATING END, .000030 MIN TOTAL, .000100-.000200 MATTE TIN ON TERMINATION END, ALL OVER .000050 NICKEL ON ENTIRE CONTACT.
- THE MAX SCREW PENETRATION INTO THE CONNECTOR = .312.
- INTERNAL NUT: ZINC PLATED .000150-.000300 THICK, CLEAR CHROMATE COATED.



DETAIL Z
SCALE 10:1
ROTATED 180° CW



1658607-1
PART NO

THIS DRAWING IS A CONTROLLED DOCUMENT.		DIN	L. BAUM	6/12/03	TE Connectivity
DIMENSIONS: INCHES		CHK	C. HOHDE	6/12/03	
TOLERANCES UNLESS OTHERWISE SPECIFIED:		APPD	M. WALMSLEY	6/12/03	NAME
0. PLC	± .005	PRODUCT SPEC	PLUG ASSY, 50 POS, LOW PROFILE HDF, FRONT METAL SHELL, LEAD-FREE, AMP-LATCH		
1. PLC	± .005	APPLICATION SPEC	SIZE	A1	CAGE CODE
2. PLC	± .005	RESTRICTED TO	WEIGHT	000779	DRAWING NO
3. PLC	± .005		SCALE	4:1	1658607
4. PLC	± .005		SHEET	1	1
ANGLES	± .005		REV	C1	
MATERIAL		CUSTOMER DRAWING			

单击下面可查看定价，库存，交付和生命周期等信息

[>>TE Connectivity\(泰科\)](#)

[>>点击查看相关商品](#)