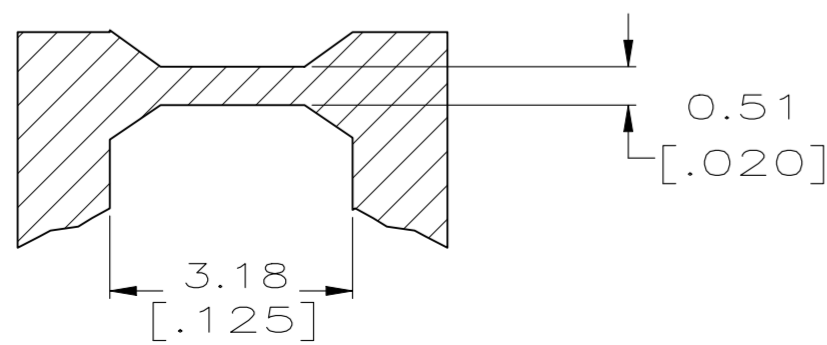
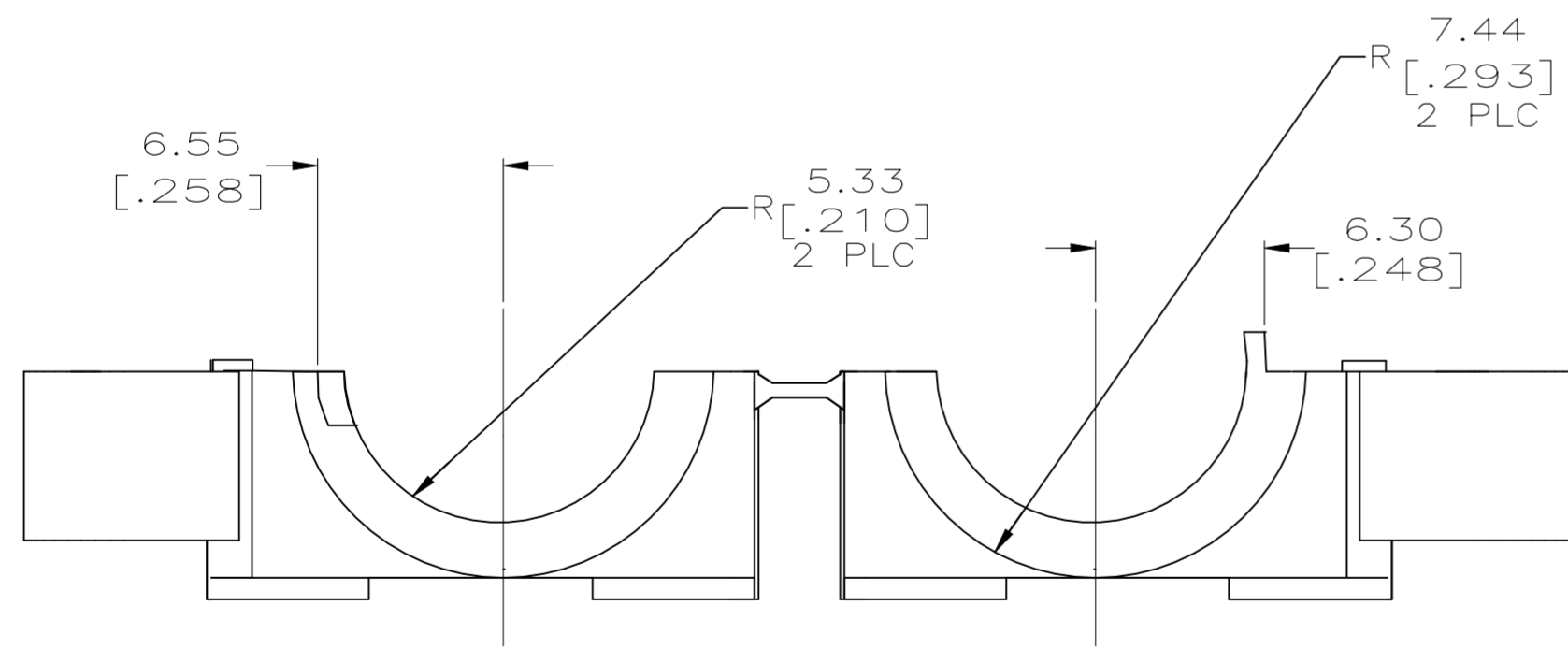
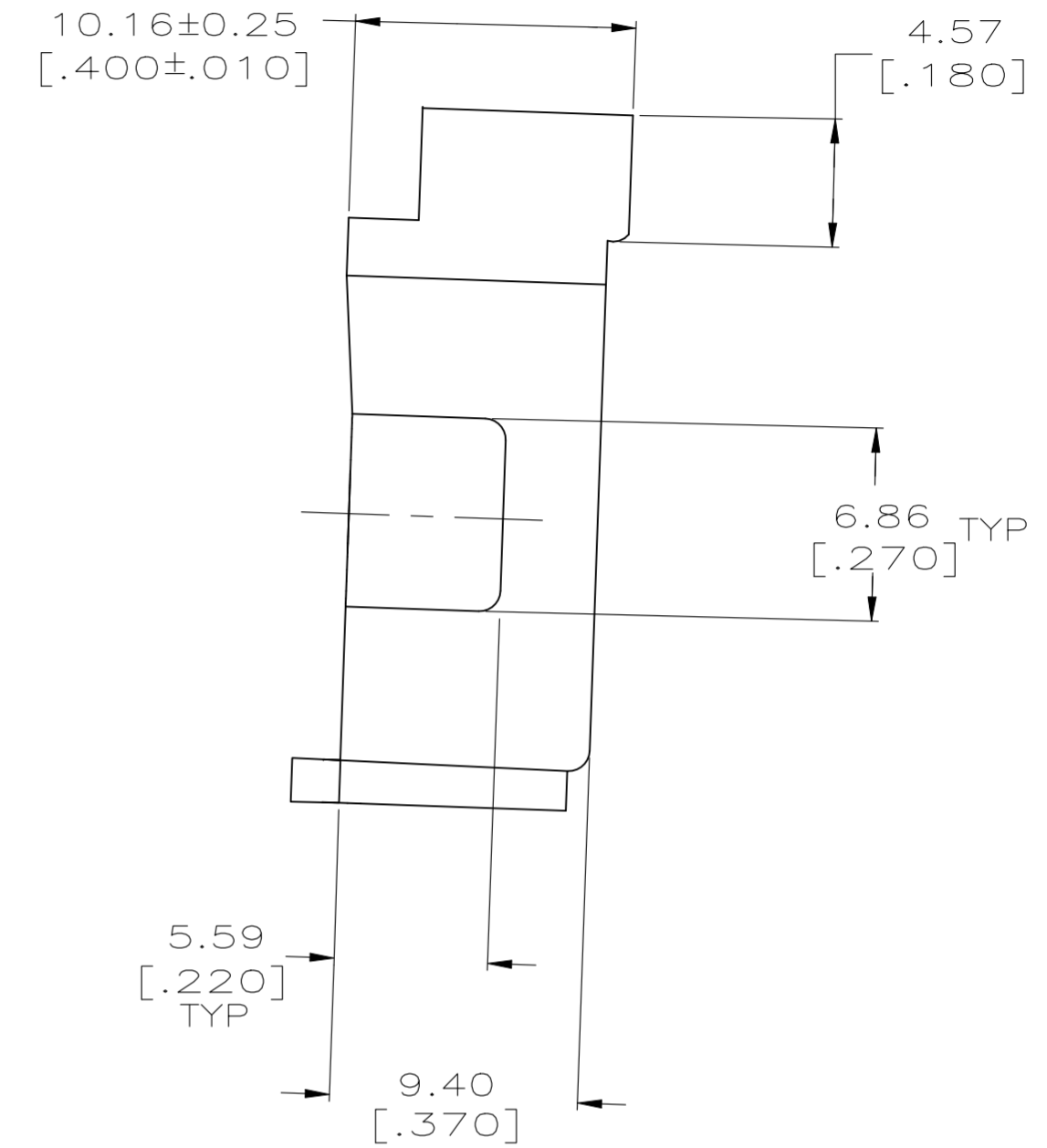
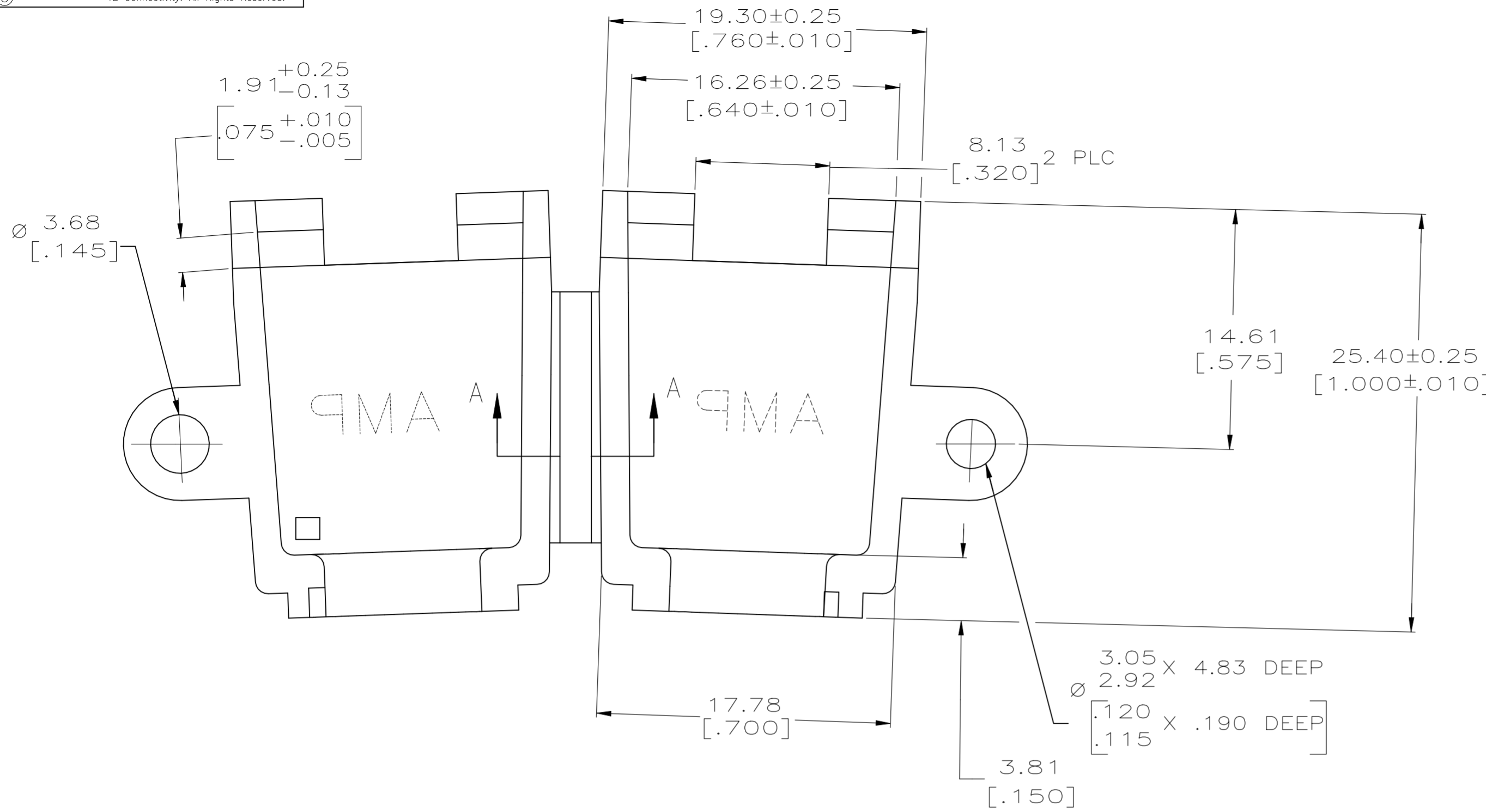
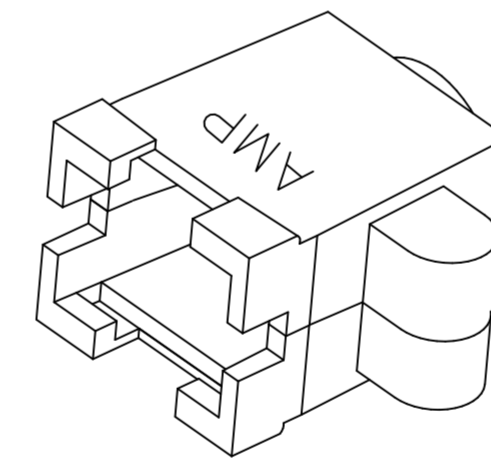


REVISIONS					
P	LTR	DESCRIPTION	DATE	DWN	APVD
L		REVISED PER ECO-21-006915	26OCT2021	RK	MZ



SECTION A-A  
SCALE 10:1



3-DIMENSIONAL MODEL  
NTS

1. REQUIRES A #6 PAN HEAD TYPE "B" SELF TAPPING PAN HEAD SCREW, 9.53 [.375] LONG.
2. DIMENSIONS IN BRACKETS ARE IN INCHES.
- 3 HOUSING MATERIAL: PA66, BLACK, UL 94 V-0 RATED
- 4 HOUSING MATERIAL: PA66, BLACK, UL 94 V-2 RATED

4	1-350522-9
3	350522-1
MATERIAL	PART NO

THIS DRAWING IS A CONTROLLED DOCUMENT.		DWN	K. SALMON	6-9-93		TE Connectivity			
DIMENSIONS: mm [INCHES]		CHK	R. SWING	6-9-93		NAME			
TOLERANCES UNLESS OTHERWISE SPECIFIED:		APVD	W. LONG	7-20-94		STRAIN RELIEF, HINGED, 9 POSITION			
0 PLC ± - 1 PLC ± - 2 PLC ± 0.13[.005] 3 PLC ± - 4 PLC ± - ANGLES ± -		PRODUCT SPEC	APPLICATION SPEC			SIZE	CAGE CODE	DRAWING NO	RESTRICTED TO
MATERIAL	SEE TABLE	FINISH	WEIGHT		A2	00779	C=350522	-	
CUSTOMER DRAWING					SCALE	4:1	SHEET	1 OF 1	REV

单击下面可查看定价，库存，交付和生命周期等信息

[>>TE Connectivity\(泰科\)](#)