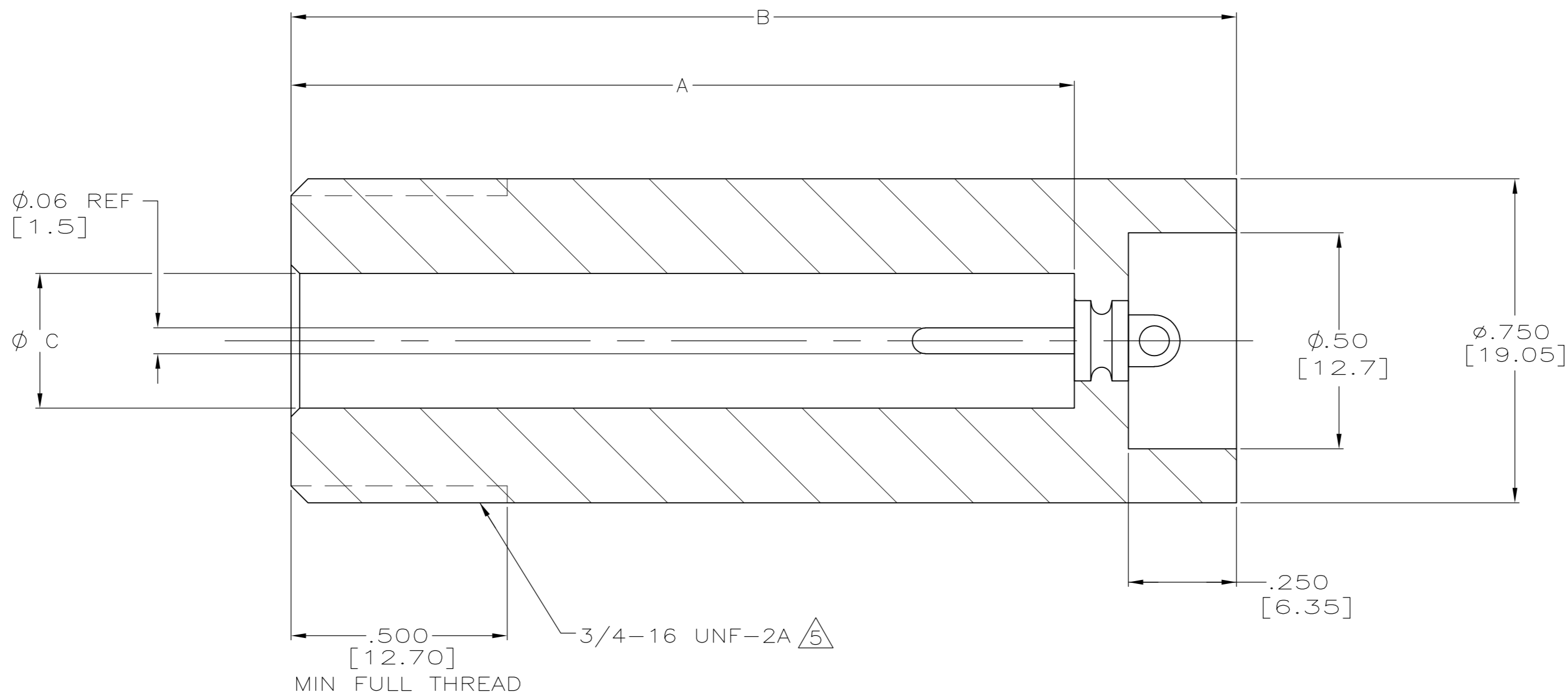


THIS DRAWING IS UNPUBLISHED. RELEASED FOR PUBLICATION - N/A .
 © COPYRIGHT N/A BY TYCO ELECTRONICS CORPORATION. ALL RIGHTS RESERVED.

LOC	DIST	REVISIONS					
DF	S0	P	LTR	DESCRIPTION	DATE	DWN	APVD
		C		REV PER ECO-10-018231	11OCT10	PY	DE

PART NO.	DIM A	DIM B	DIM C	TERMINAL PLATING	SIZE	
849588-1	1.437 [36.50]	1.81 [46.02]	.468 [11.9]	⚠1	LGH-2	
849588-2	1.437 [36.50]	1.81 [46.02]	.468 [11.9]	⚠2	LGH-2	OBSOLETE
849588-3	1.812 [46.02]	2.18 [55.55]	.312 [7.92]	⚠1	LGH-3	
849588-4	1.812 [46.02]	2.18 [55.55]	.312 [7.92]	⚠2	LGH-3	OBSOLETE
5-849588-1	1.437 [36.50]	1.81 [46.02]	.468 [11.9]	⚠1	LGH-2	
5-849588-3	1.812 [46.02]	2.18 [55.55]	.312 [7.92]	⚠1	LGH-3	

- ⚠1 PLATED 93/7 TIN-LEAD .0001[0.0025] MIN THK OR TIN PER ASTM-B-545 .0001[0.0025] MIN THK.
- ⚠2 GOLD PLATED .000030 [0.00076] MIN THK PER MIL-G-45204, TYPE II.
- 3. LGH-2 RECEPTACLE TO MATE WITH AMP LGH-2 LEAD ASSEMBLY.
- 4. LGH-3 RECEPTACLE TO MATE WITH AMP LGH-3 LEAD ASSEMBLY.
- ⚠5 PER FEDERAL STANDARD H-28 3 WIRE METHOD. DIMENSION OVER WIRES TO BE: .7474-.7654 [18.98-19.44].
- 6. AMP INFO MARKED PER MIL-STD-130.
- ⚠3 PLATED TIN PER ASTM-B-545 .0001[0.0025] MIN THK.



THIS DRAWING IS A CONTROLLED DOCUMENT.		DWN C.C.THOMAS 07-APR-95	Tyco Electronics Corporation Harrisburg, Pa 17105-3608																		
DIMENSIONS: INCHES		CHK D.EABY 10-APR-95	NAME MOLDED RCPT LGH-2, LGH-3																		
TOLERANCES UNLESS OTHERWISE SPECIFIED:		APVD D.EABY 10-APR-95	PRODUCT SPEC																		
<table border="0"> <tr><td>0 PLC</td><td>±</td><td>-</td></tr> <tr><td>1 PLC</td><td>±</td><td>-</td></tr> <tr><td>2 PLC</td><td>±</td><td>.01[0.3]</td></tr> <tr><td>3 PLC</td><td>±</td><td>.005[0.13]</td></tr> <tr><td>4 PLC</td><td>±</td><td>-</td></tr> <tr><td>ANGLES</td><td>±</td><td>-</td></tr> </table>		0 PLC	±	-	1 PLC	±	-	2 PLC	±	.01[0.3]	3 PLC	±	.005[0.13]	4 PLC	±	-	ANGLES	±	-	APPLICATION SPEC	
0 PLC	±	-																			
1 PLC	±	-																			
2 PLC	±	.01[0.3]																			
3 PLC	±	.005[0.13]																			
4 PLC	±	-																			
ANGLES	±	-																			
MATERIAL		WEIGHT	SIZE A2	CAGE CODE 00779																	
FINISH		DRAWING NO C=849588		RESTRICTED TO																	
		CUSTOMER DRAWING		SCALE 4:1																	
		SHEET 1 OF 1		REV C																	

单击下面可查看定价，库存，交付和生命周期等信息

[>>TE Connectivity\(泰科\)](#)