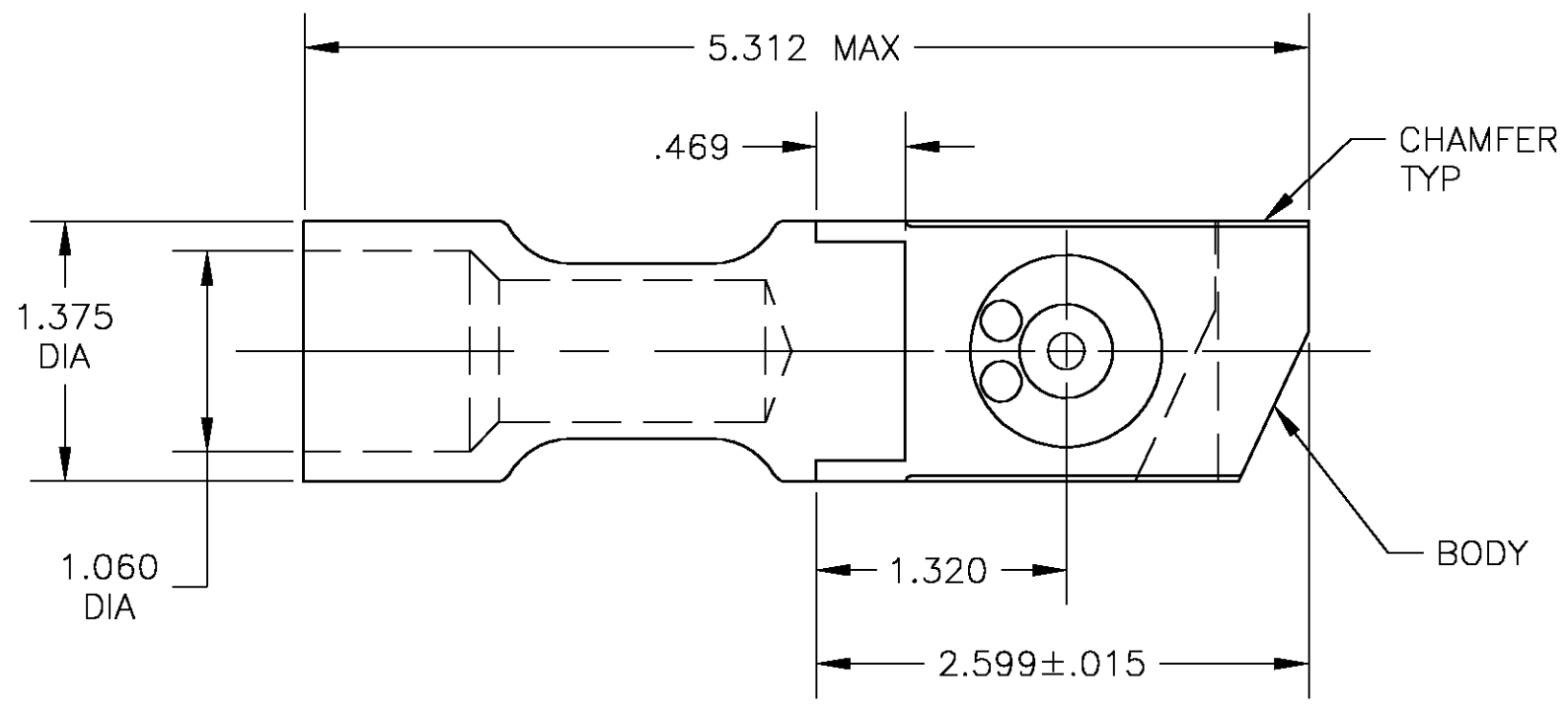
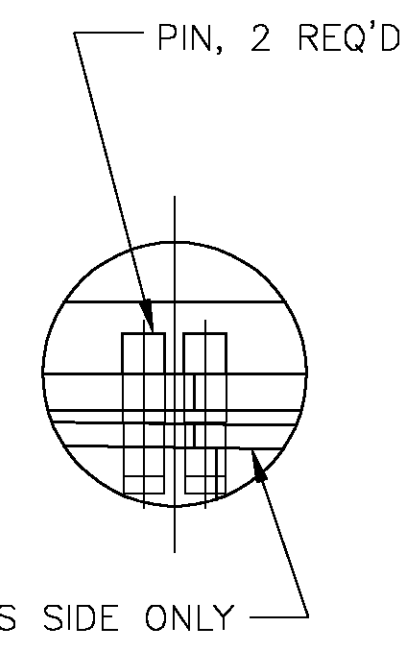
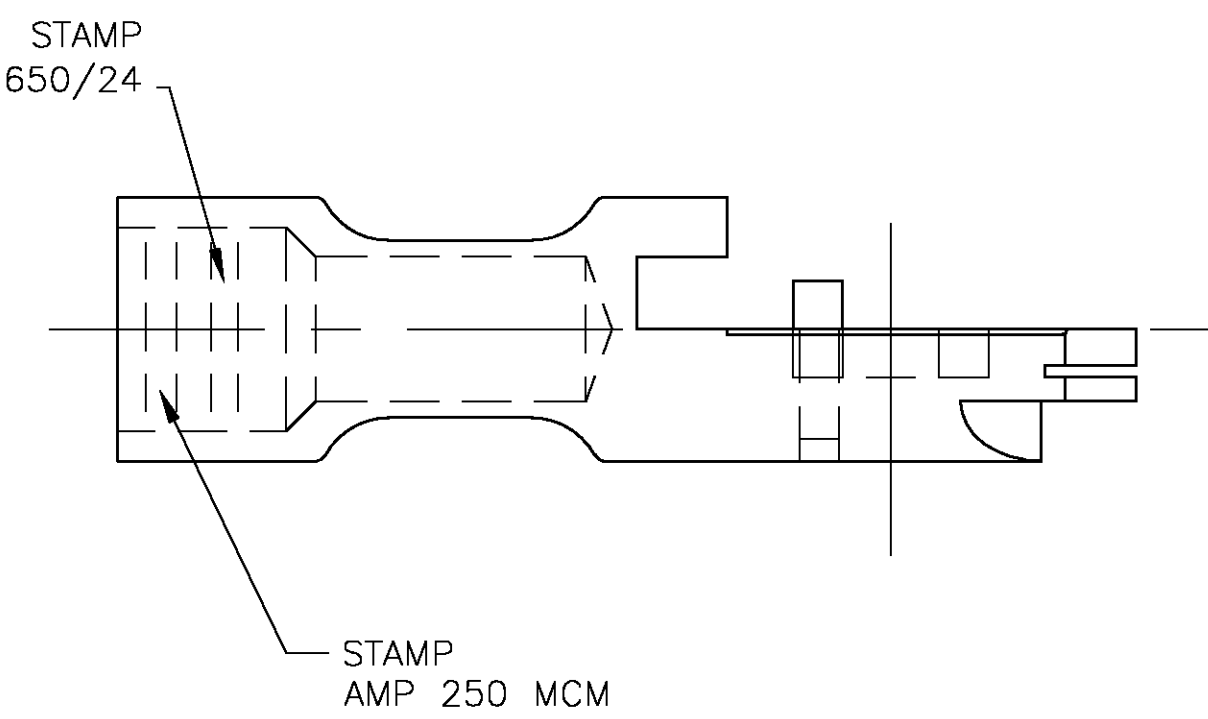


THIS DRAWING IS UNPUBLISHED. RELEASED FOR PUBLICATION
 © COPYRIGHT BY TYCO ELECTRONICS CORPORATION. ALL RIGHTS RESERVED.

LOC	DIST	REVISIONS					
		P	LTR	DESCRIPTION	DATE	DWN	APVD
G	14		H	REV PER 0G3A-0356-04	10MAY04	JR	MS



- 1 MATERIAL:
BODY & PIN: BRASS PER ASTM B36
- 2 FINISH:
BODY & PIN: .000100 MIN SILVER PLATE PER QQ-S-365.



53446-1
PART NO

THIS DRAWING IS A CONTROLLED DOCUMENT.		DWN jr_ruth 10MAY04	Tyco Electronics Corporation Harrisburg, PA 17105		
DIMENSIONS: INCHES		CHK M SPICER 10MAY04			
		APVD M SPICER 10MAY04	NAME AMPOWER, QUICK-DISCONNECT WIRE SIZE: 250 MCM		
TOLERANCES UNLESS OTHERWISE SPECIFIED:		PRODUCT SPEC	SIZE A3		
0 PLC ± - 1 PLC ± - 2 PLC ± - 3 PLC ± .008 4 PLC ± - ANGLES ± 5°		APPLICATION SPEC	CAGE CODE 00779	DRAWING NO C-53446	RESTRICTED TO
MATERIAL SEE NOTES		FINISH SEE NOTES	WEIGHT -	SCALE 1:1	
CUSTOMER DRAWING			SHEET 1	OF 1	REV H

单击下面可查看定价，库存，交付和生命周期等信息

[>>TE Connectivity\(泰科\)](#)