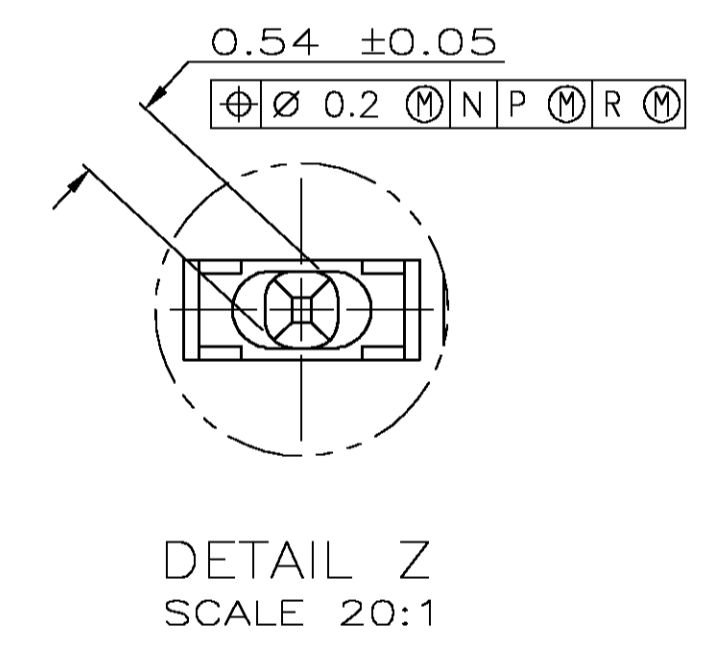
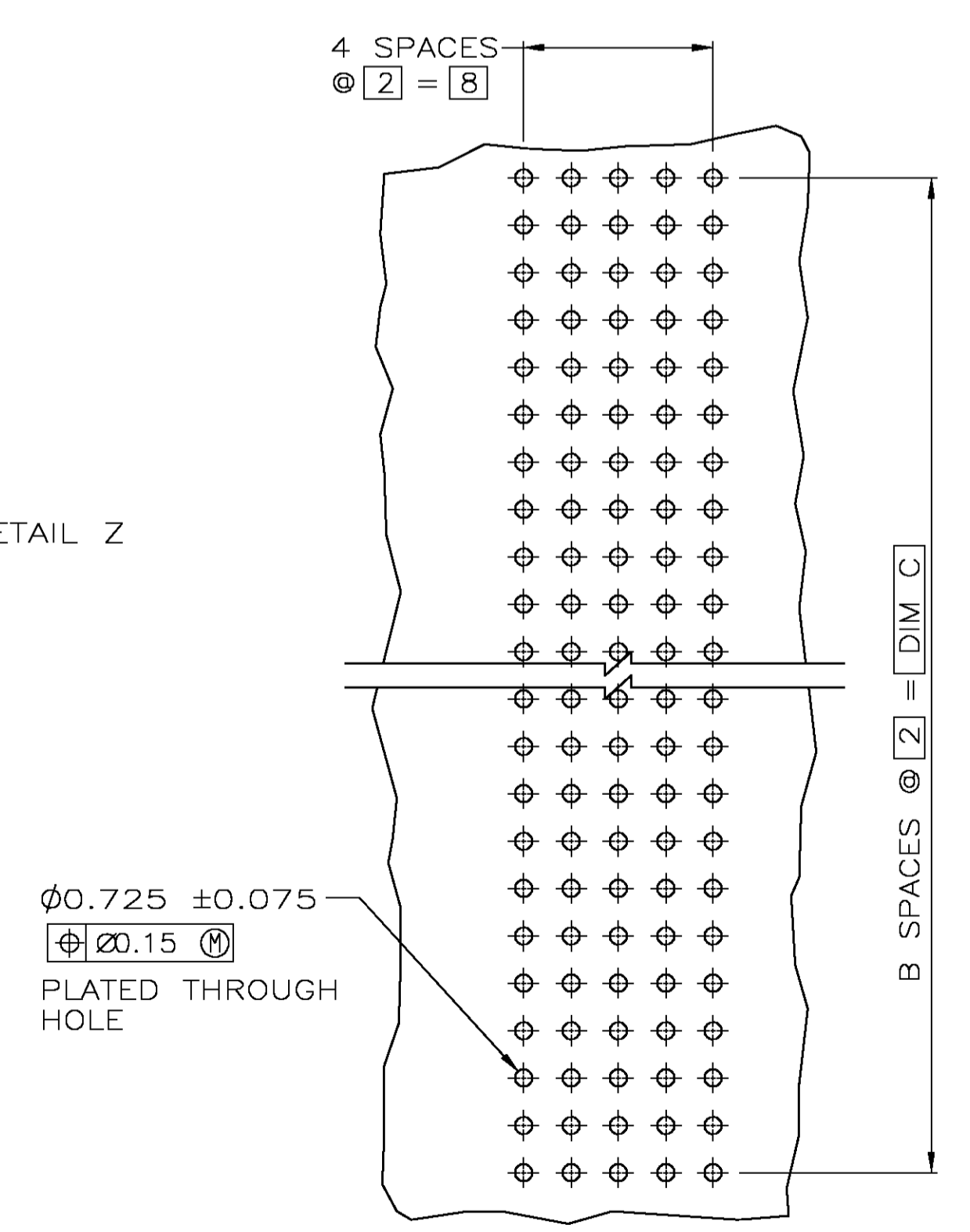
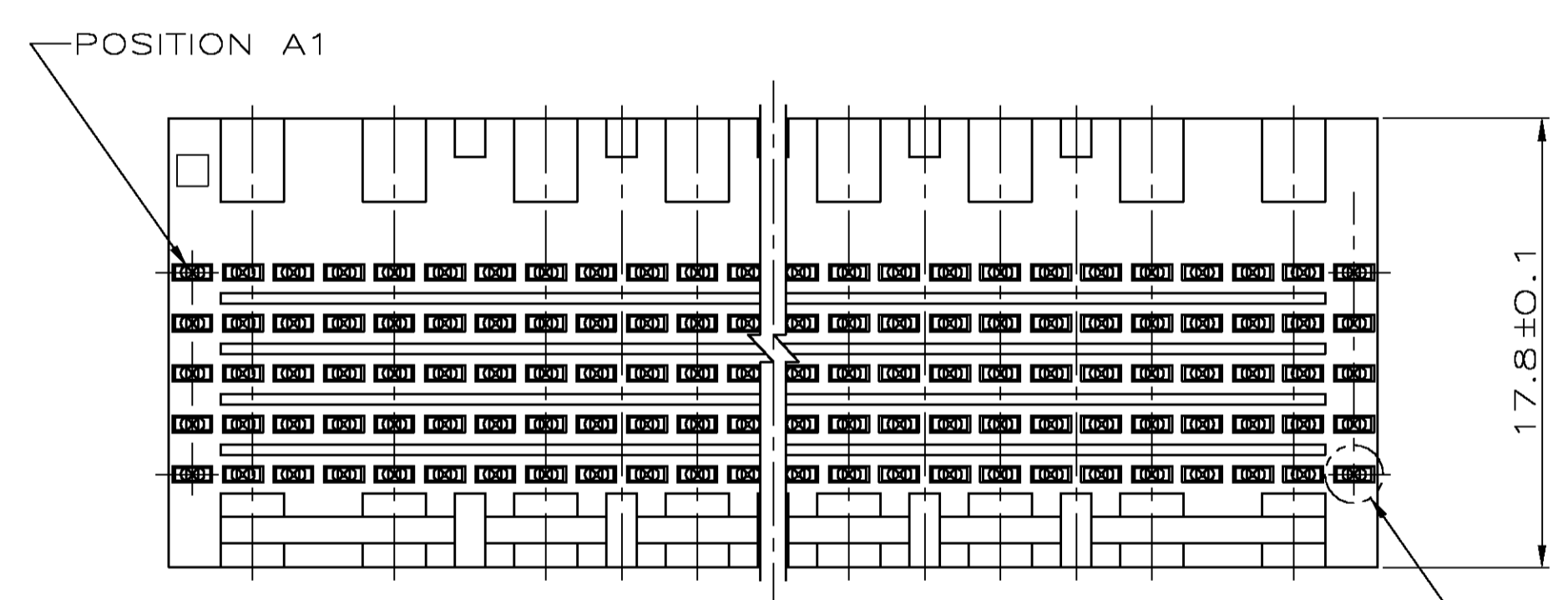


- ⚠ HOUSING MATERIAL: LIQUID CRYSTAL POLYMER  
COLOR: NATURAL.
- ⚠ CONTACT MATERIAL: PHOSPHOR BRONZE
- ⚠ CONTACT FINISH:(B)  
UNDERPLATE (ENTIRE CONTACT):  
0.00127 MIN NICKEL PER SAE-AMS-QQ-N-290  
ON MATING SURFACES:  
CONFORMS TO ALL TESTING SPECIFIED FOR TELCORDIA  
UNCONTROLLED ENVIRONMENT.  
ON LEADS:  
0.0006 MIN MATTE TIN PER ASTM B 545 OVER UNDERPLATE.  
LUBRICATION (MIN MATING SURFACES):  
SURFACE CONDITIONER AFTER PLATING.
- ⚠ PART MARKING LOCATED APPROXIMATELY AS SHOWN.
- ⚠ DIMENSION APPLIES WHEN SEATED ON PRINTED CIRCUIT BOARD.



94	47	95.88	240	5223011-8
46	23	47.88	120	5223011-4
22	11	23.88	60	5223011-2
10	5	11.88	30	5223011-1
C	B	A	NO OF SIGNAL POSN	PART NUMBER

THIS DRAWING IS A CONTROLLED DOCUMENT.

DIMENSIONS:	TOLERANCES UNLESS OTHERWISE SPECIFIED:	APVD	NAME
mm	0 PLC ± - 1 PLC ± - 2 PLC ± 0.13 3 PLC ± - 4 PLC ± - ANGLES ± -	R. WERTZ	R. WERTZ
MATERIAL	FINISH	SIZE	CAGE CODE
1	2	A1	00779
CUSTOMER DRAWING		DRAWING NO	5223011
		SCALE	4:1
		SHEET	1 OF 1
		REV	0

tyco Electronics Tyco Electronics Corporation  
 Harriburg, Pa 17105-3608

ASSEMBLY, PIN, SIGNAL, VERTICAL,  
 Z-PACK 2mm FB, 5 ROW, PRESS FIT  
 5mm MATING POST W/ 4.25mm PRESS FIT LEADS

单击下面可查看定价，库存，交付和生命周期等信息

[>>TE Connectivity\(泰科\)](#)