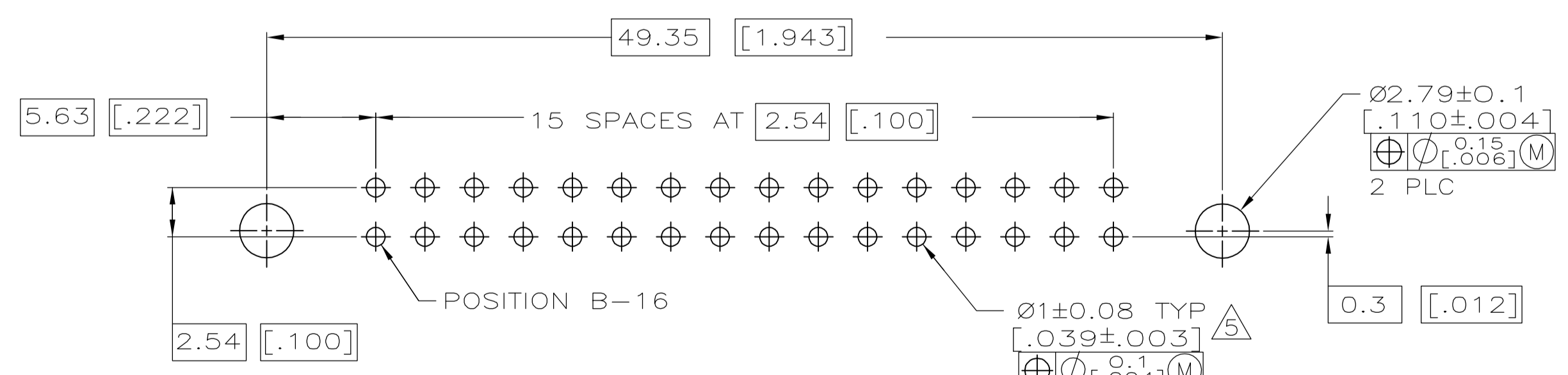
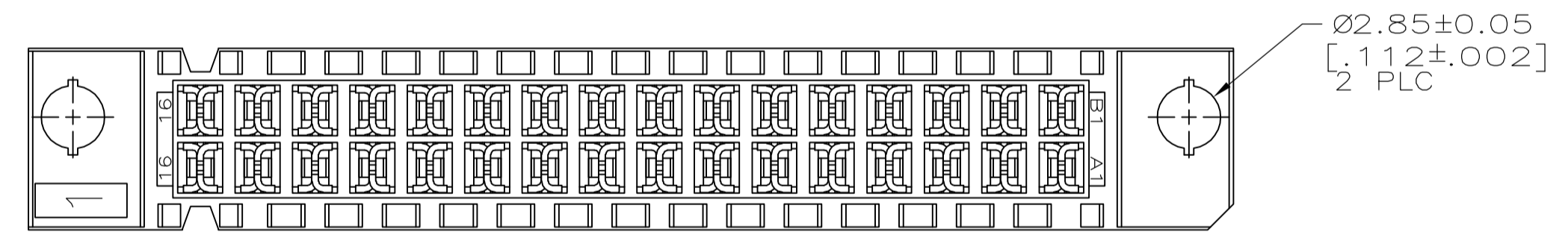
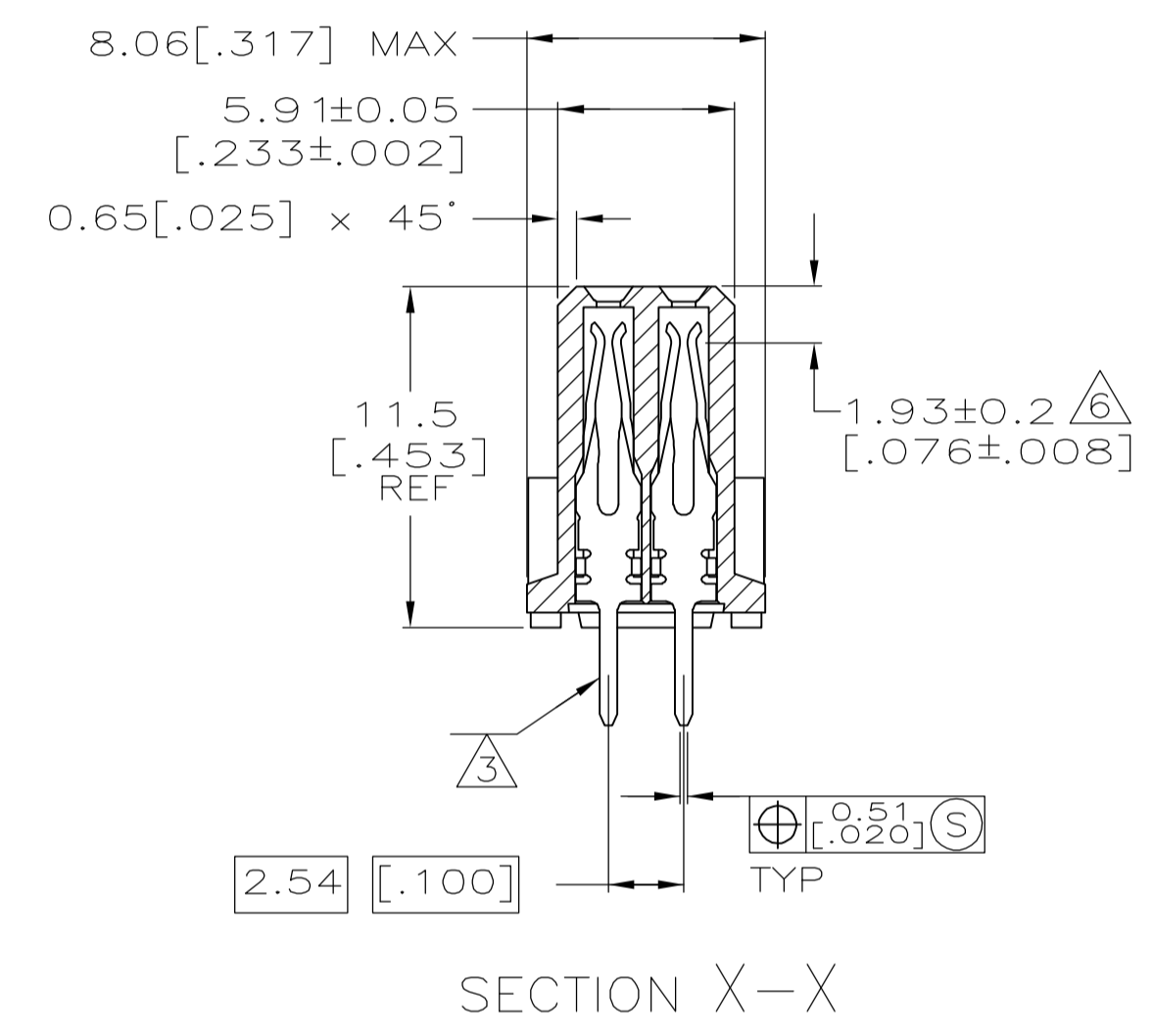
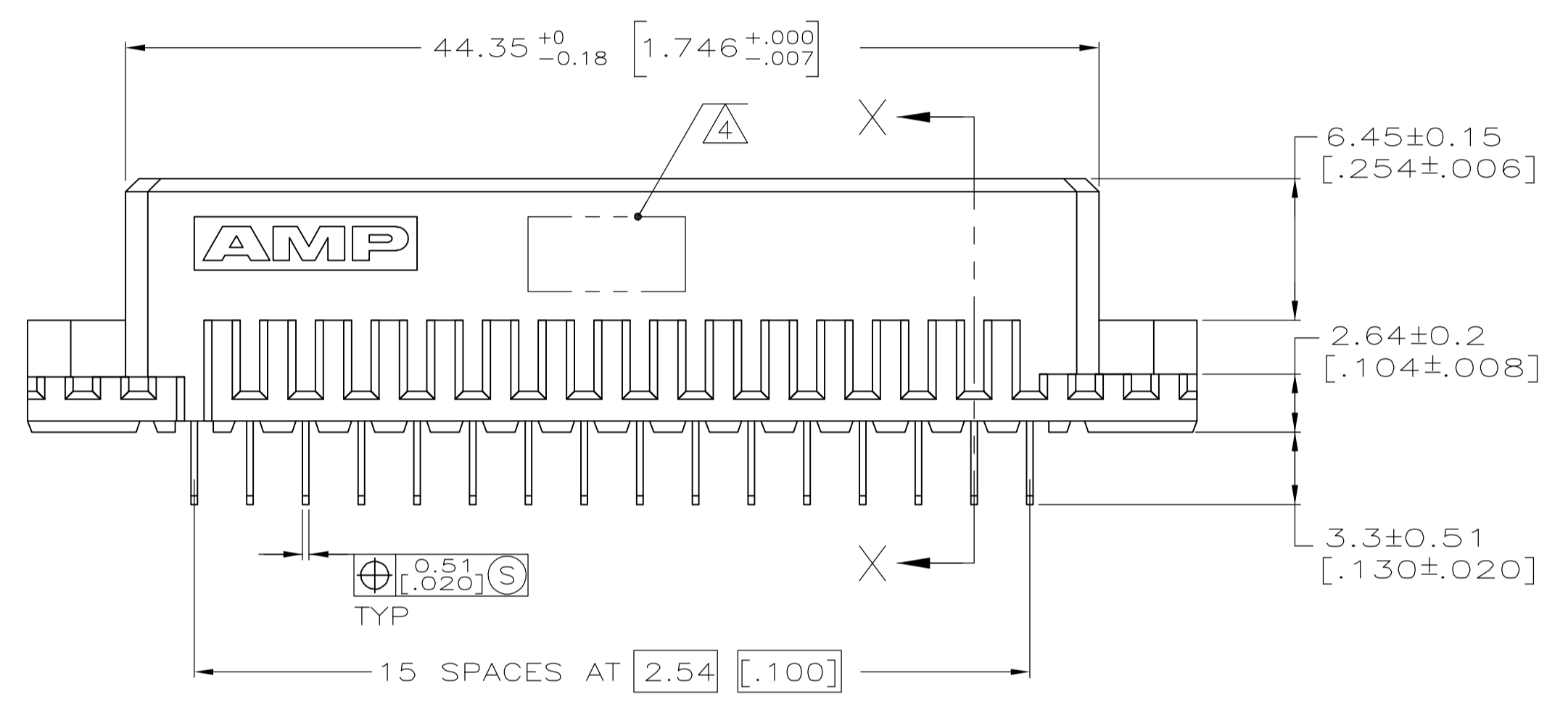
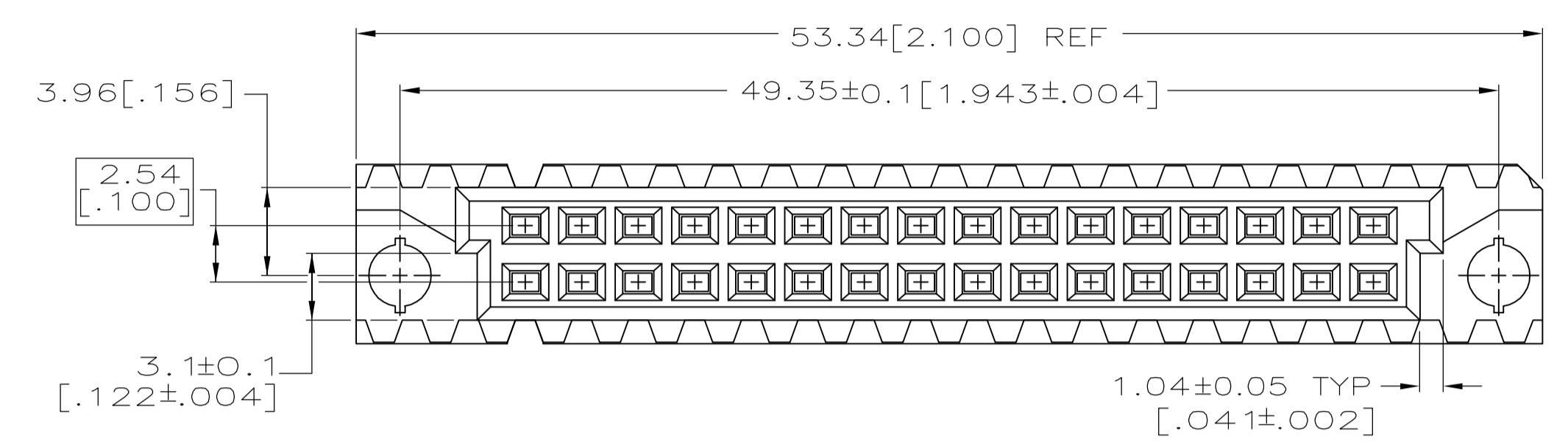


- ① HOUSING MATERIAL: GLASS-FILLED POLYMER.
- ② CONTACT MATERIAL: COPPER ALLOY.
- ③ CONTACT FINISH: DIN 41612 CLASS 2 IN CONTACT AREA. NICKEL UNDERPLATE ALL OVER. TIN PLATE ON POSTS.
- ④ PART NUMBER, DATE CODE IDENTIFICATION, CSA LOGO IN THIS APPROXIMATE AREA, ON REVERSE SIDE.
- ⑤ RECOMMENDED HOLE SIZE FOR MANUAL APPLICATION OF CONNECTOR ONTO PC BOARD.
- ⑥ CONTACT POINT.



|                  |             |   |                        |                  |
|------------------|-------------|---|------------------------|------------------|
| 1-16             | X           | X | 32                     | 5536446-5        |
| POSITIONS LOADED | ROWS LOADED | A | NO. OF LOADED POSITION | ASSY PART NUMBER |

|  |           |                          |   |
|--|-----------|--------------------------|---|
| THIS DRAWING IS A CONTROLLED DOCUMENT. |           | DIN J. POLIGNONE 27MAY05 | Tyco Electronics Corporation<br>Harrisburg, PA 17105-3608                           |
| DIMENSIONS: mm [INCHES]                |           | CIK A. SHARPE 27MAY05    |   |
| TOLERANCES UNLESS OTHERWISE SPECIFIED: |           | APVD A. SHARPE 27MAY05   | NAME ASSEMBLY, RECEPTACLE, EUROCARD, TYPE B, 32 POSITION, 3.30 [0.130] SOLDER POSTS |
| 0 PLC ± -                              | 1 PLC ± - | 2 PLC ± -                | APPLICATION SPEC  |
| 3 PLC ± 0.13 [0.005]                   | 4 PLC ± - | ANGLES ± -               | SIZE A1   |
| MATERIAL                               | FINISH    | WEIGHT                   | SCALE 4:1   |
| CUSTOMER DRAWING                       |           | 00779                    | SHEET 1 OF 1  |
|  |           | 5536446                  | REV 0   |

单击下面可查看定价，库存，交付和生命周期等信息

[>>TE Connectivity\(泰科\)](#)