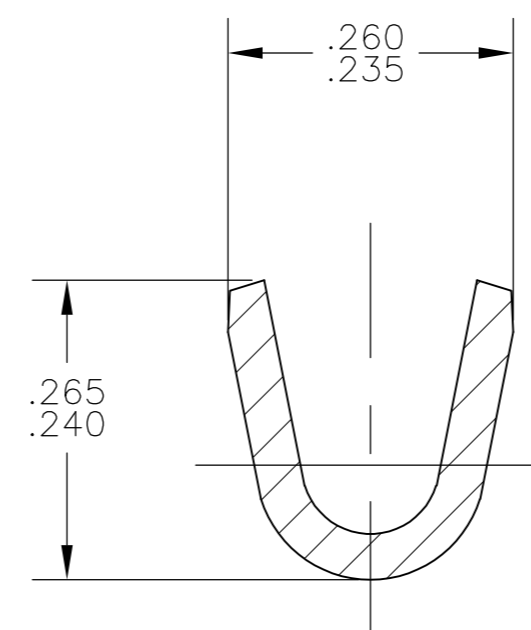
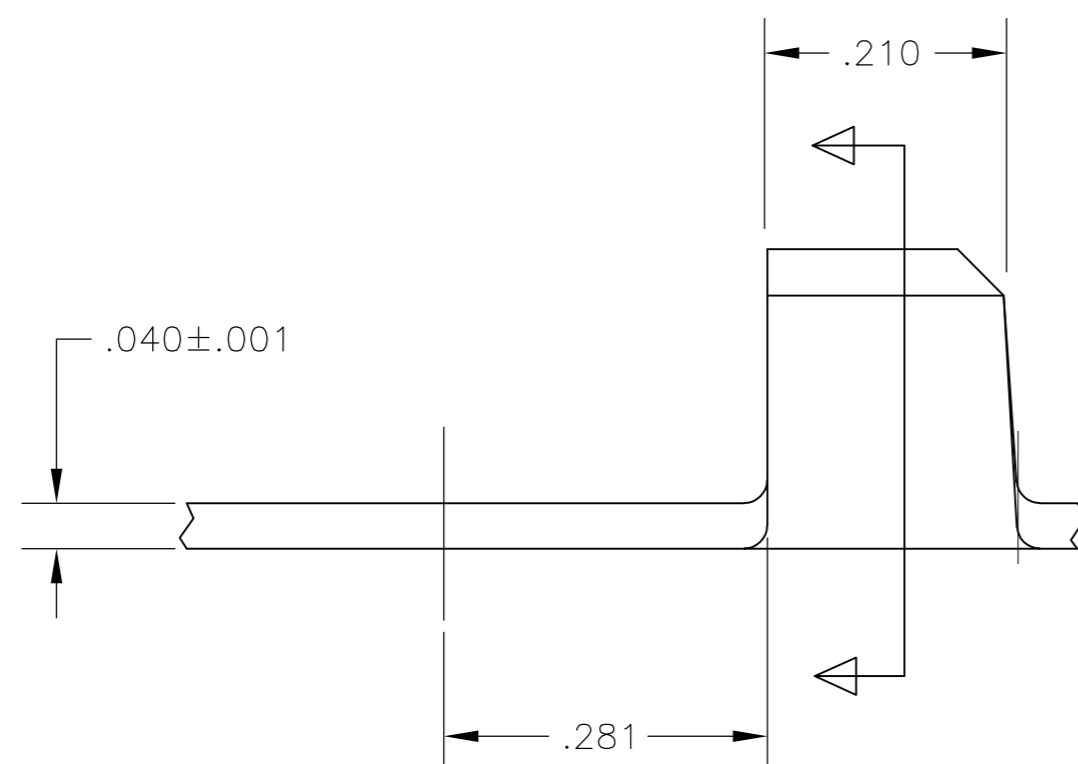
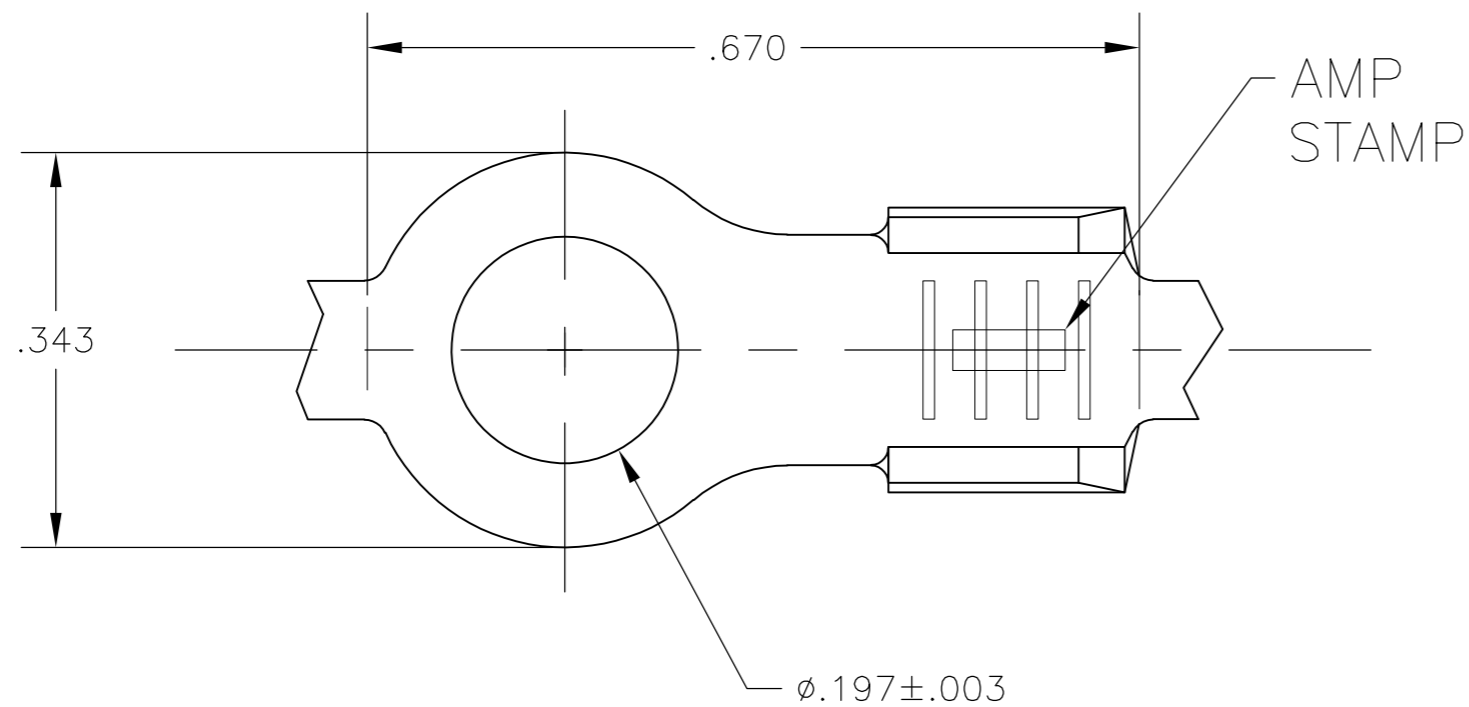


THIS DRAWING IS UNPUBLISHED. RELEASED FOR PUBLICATION  
 © COPYRIGHT 64 BY TYCO ELECTRONICS CORPORATION. ALL INTERNATIONAL RIGHTS RESERVED.

LOC	DIST	REVISIONS					
AF	50	P	LTR	DESCRIPTION	DATE	DWN	APVD
		AB		REVISED PER ECR-10-006099	07JUL10	HMR	PD

△ 1 CONTINUOUS STRIP ON REELS.

△ 3 .000150 MIN NICKEL PLATE WITH LUBRICATE.



OBSOLETE	12-10 AWG	△ 3	TEMPER 3 STEEL	41090-1
	12-10 AWG	TIN	H00 COPPER	41090
	WIRE RANGE	FINISH	MATERIAL	PART NUMBER

THIS DRAWING IS A CONTROLLED DOCUMENT.		DWN 14FEB2002 MICHAEL S. FEHER	Tyco Electronics Corporation Harrisburg, PA 17105-3608	
DIMENSIONS: INCHES		CHK 14FEB2002 DONALD F. DECKER	NAME TERMINAL, RING #10 STUD	
TOLERANCES UNLESS OTHERWISE SPECIFIED:		APVD 14FEB2002 DONALD F. DECKER	SIZE CAGE CODE DRAWING NO A2 00779 C-41090	
0 PLC ± -		PRODUCT SPEC	RESTRICTED TO	
1 PLC ± -		APPLICATION SPEC	-	
2 PLC ± -		FINISH	SCALE SHEET REV	
3 PLC ± .010		SEE TABLE	6:1 1 of 1 AB	
4 PLC ± -		SEE TABLE		
ANGLES ± 1°		WEIGHT -		
MATERIAL SEE TABLE		CUSTOMER DRAWING		

单击下面可查看定价，库存，交付和生命周期等信息

[>>TE Connectivity\(泰科\)](#)