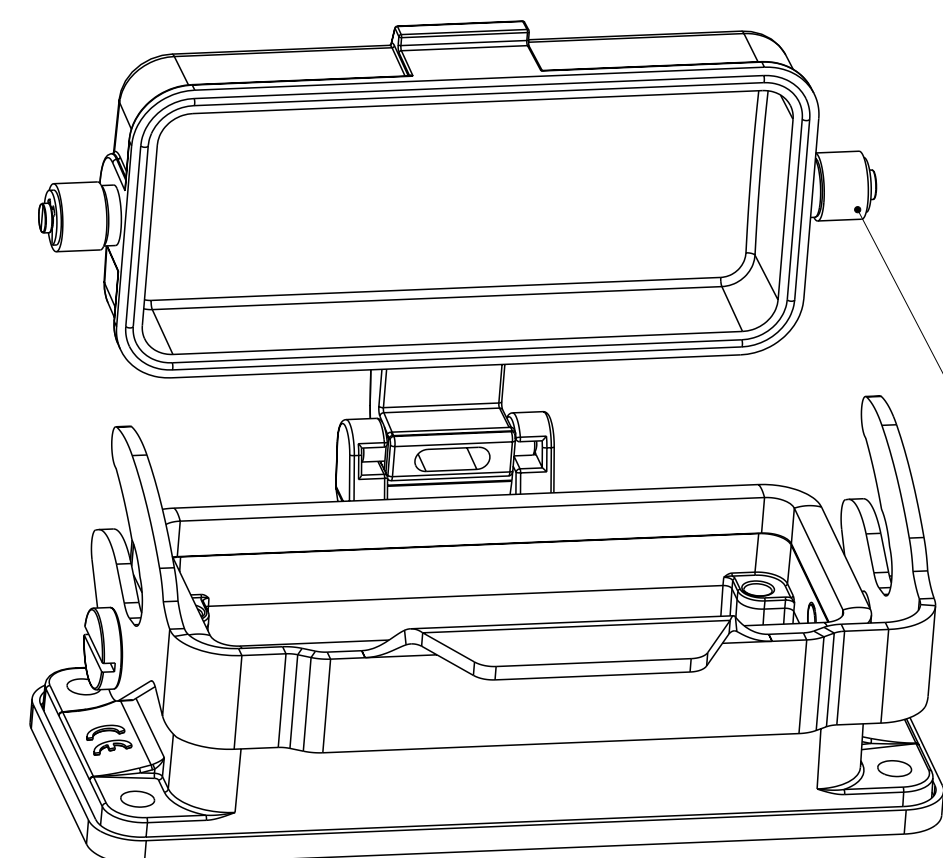
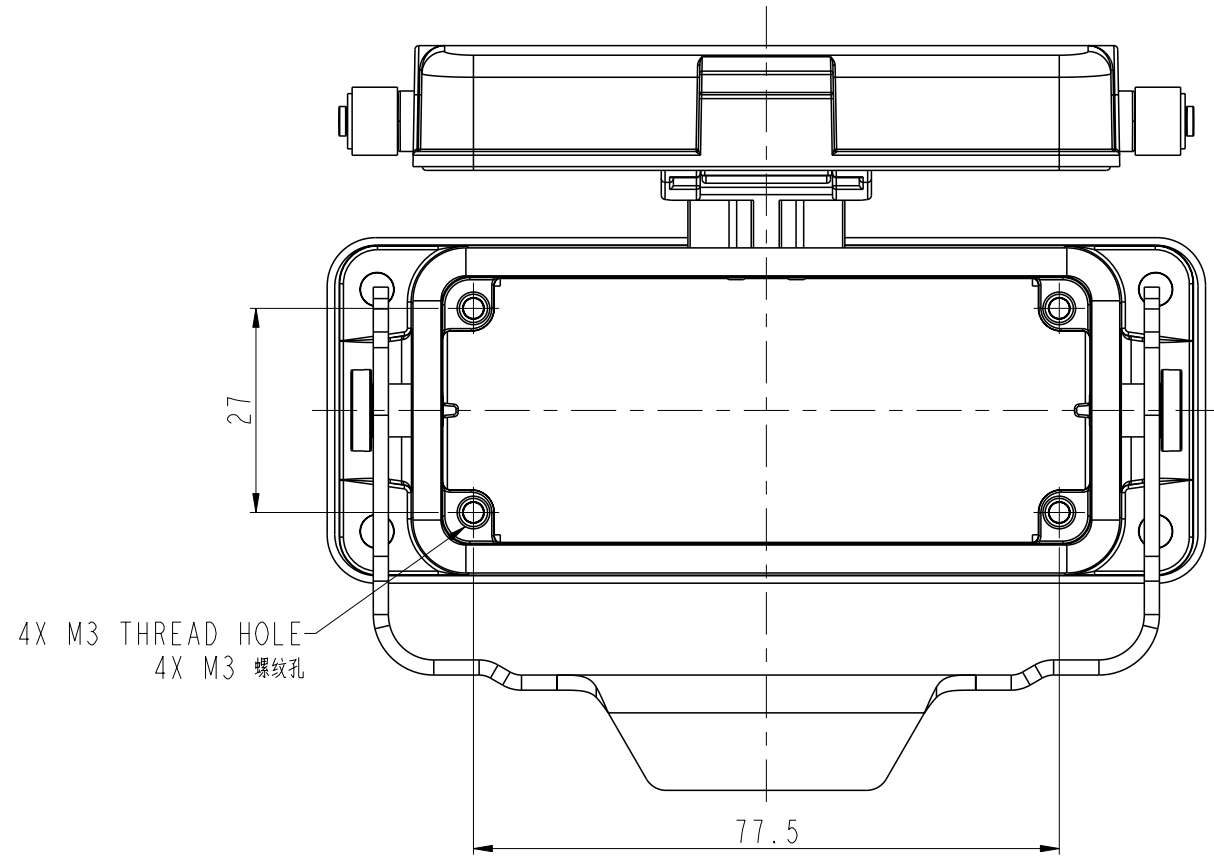


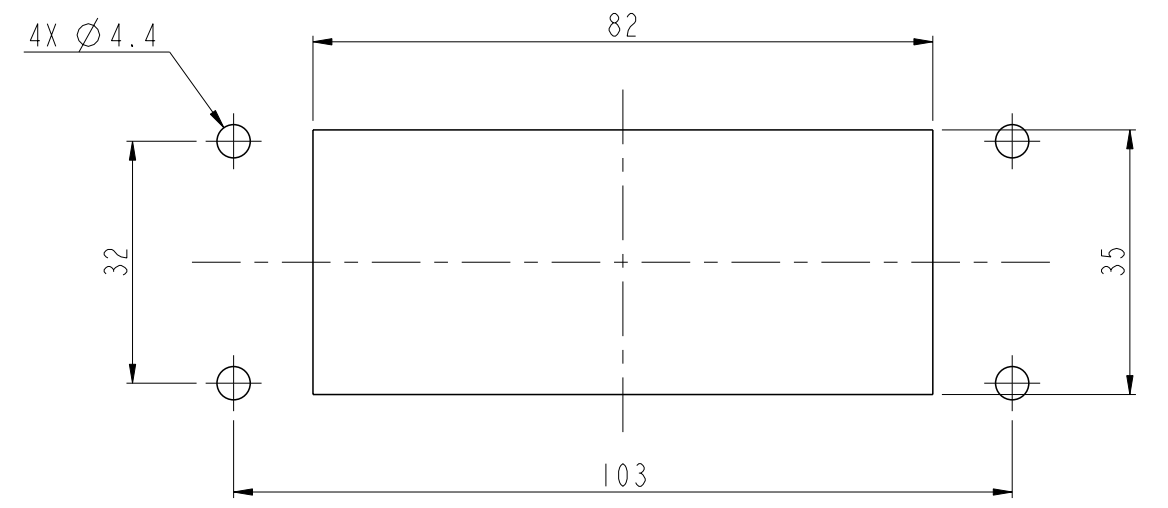
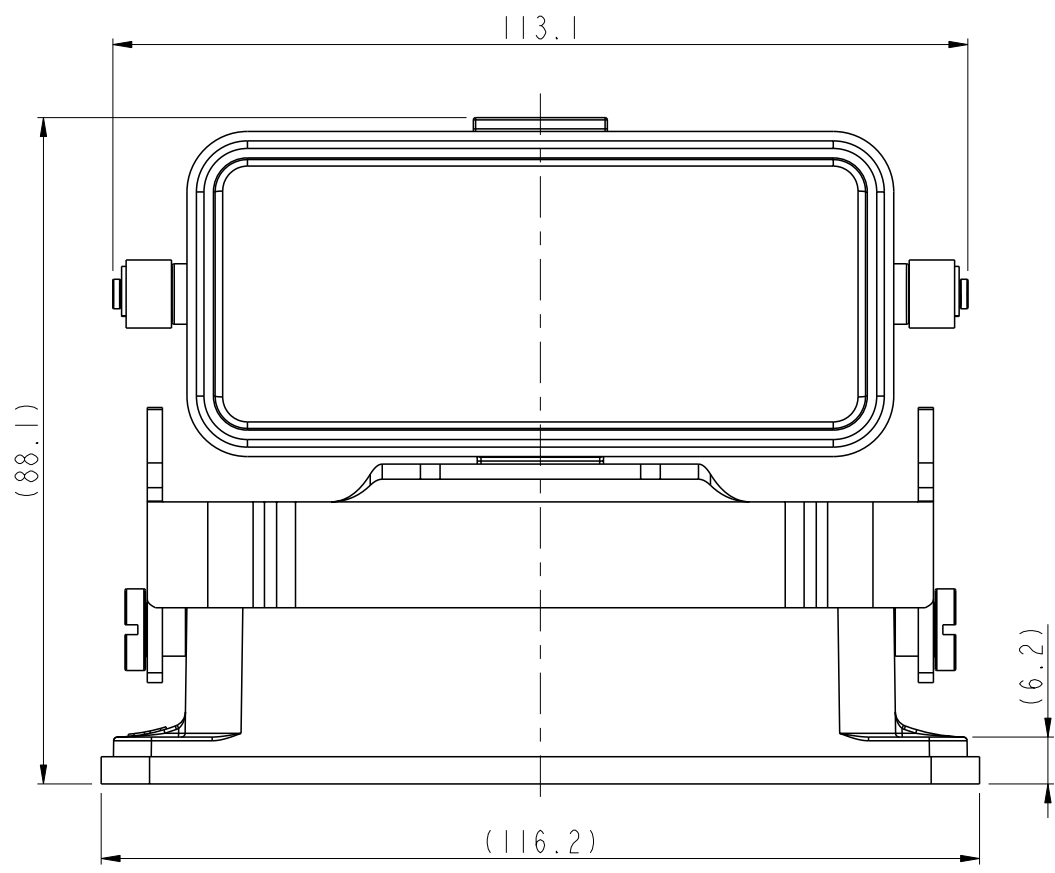
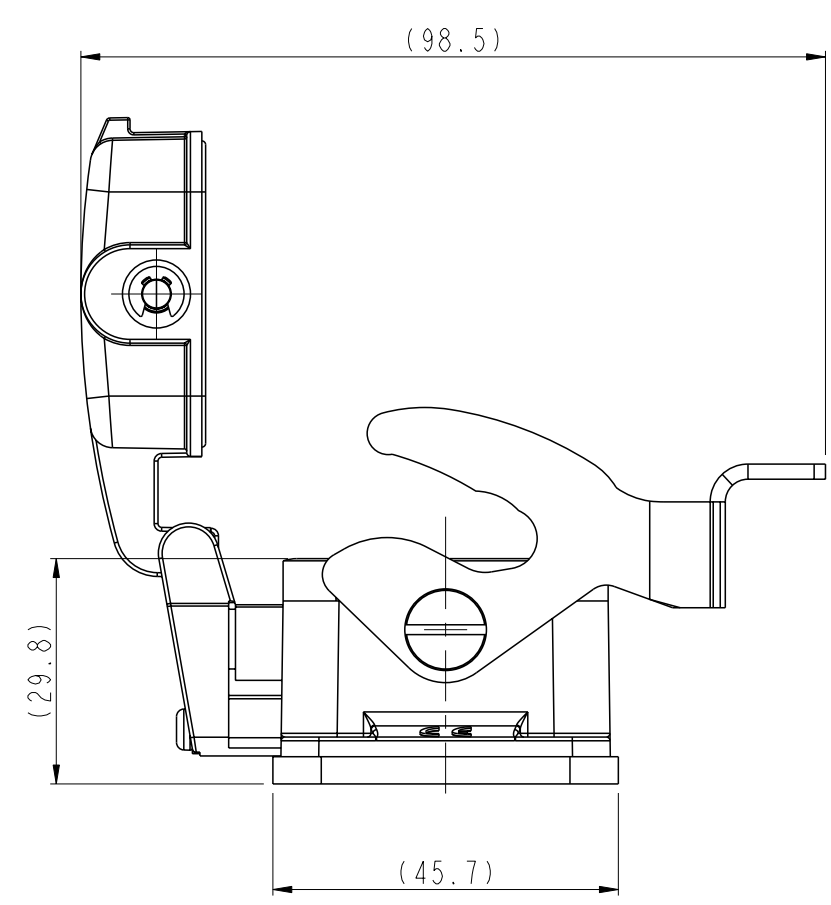
THIS DRAWING IS UNPUBLISHED. RELEASED FOR PUBLICATION 20  
 © COPYRIGHT 20 BY - ALL RIGHTS RESERVED.

REVISIONS					
P	LTR	DESCRIPTION	DATE	DWN	APVD
A		INITIAL	30OCT2017	QY	CW
B		ECR-20-008190	16SEP2020	WQR	CW

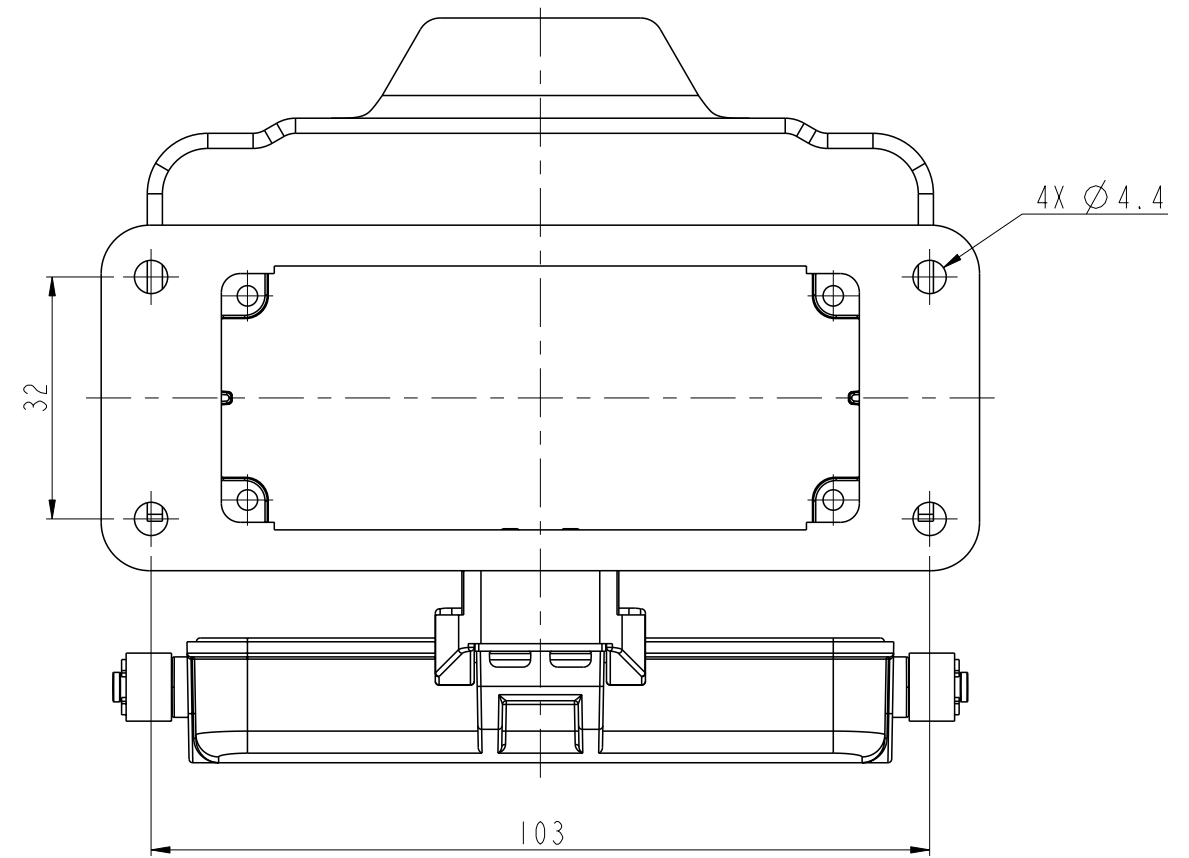


NOTES:  
 1. TECHNICAL CHARACTERISTICS:  
 HOUSING MATERIAL: DIE CAST ALUMINIUM ALLOY  
 SURFACE: POWDER COATED, GREY  
 DEGREE OF PROTECTION: IP65 (MATED)

注释:  
 1. 技术参数:  
 下壳材料: 铝合金  
 表面处理: 灰色粉末喷涂  
 防护等级: IP65(配合)



RECOMMENDED PANEL CUT OUT DIMENSIONS  
推荐面板开孔尺寸



T1510163002-000	H16B-ADM-LB	H16B HOUSING,BULKHEAD MOUNTED,METAL SINGLE LOCKING, METAL PROTECTION COVER(SUS WHEEL),POWDER COATED,GREY H16B下壳,开孔安装,彩锌单扣,带金属滚轮保护盖,灰色粉末喷涂	SUS WHEEL 不锈钢滚轮
T1510163001-000	H16B-ADM-LB	H16B HOUSING,BULKHEAD MOUNTED,METAL SINGLE LOCKING, METAL PROTECTION COVER,POWDER COATED,GREY H16B下壳,开孔安装,彩锌单扣,带金属滚轮保护盖,灰色粉末喷涂	NYLON WHEEL 尼龙滚轮
PART NUMBER 料号	PART DESCRIPTION 描述		REMARK 备注

THIS DRAWING IS A CONTROLLED DOCUMENT.

DWN: QIANG YUAN 30OCT2017  
 CHK: GINO YAO 30OCT2017  
 APVD: CHRIS WANG 30OCT2017

TE Connectivity

NAME: H16B-ADM-LB

PRODUCT SPEC: 108-137013  
 APPLICATION SPEC: 114-137013

MATERIAL: -  
 FINISH: -

WEIGHT: -

SIZE: A2 CAGE CODE: 00779 DRAWING NO: C-T151016300X000 RESTRICTED TO: -

CUSTOMER DRAWING SCALE: 1:1 SHEET: 1 OF 1 REV: B

Printed on 25 Apr 2021 14:14 (China Standard Time) from TE343646

单击下面可查看定价，库存，交付和生命周期等信息

[>>TE Connectivity\(泰科\)](#)