

THIS DRAWING IS UNPUBLISHED.

RELEASED FOR PUBLICATION

20

© COPYRIGHT 20 BY -

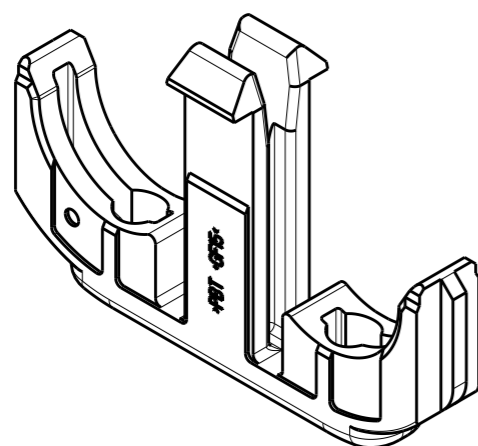
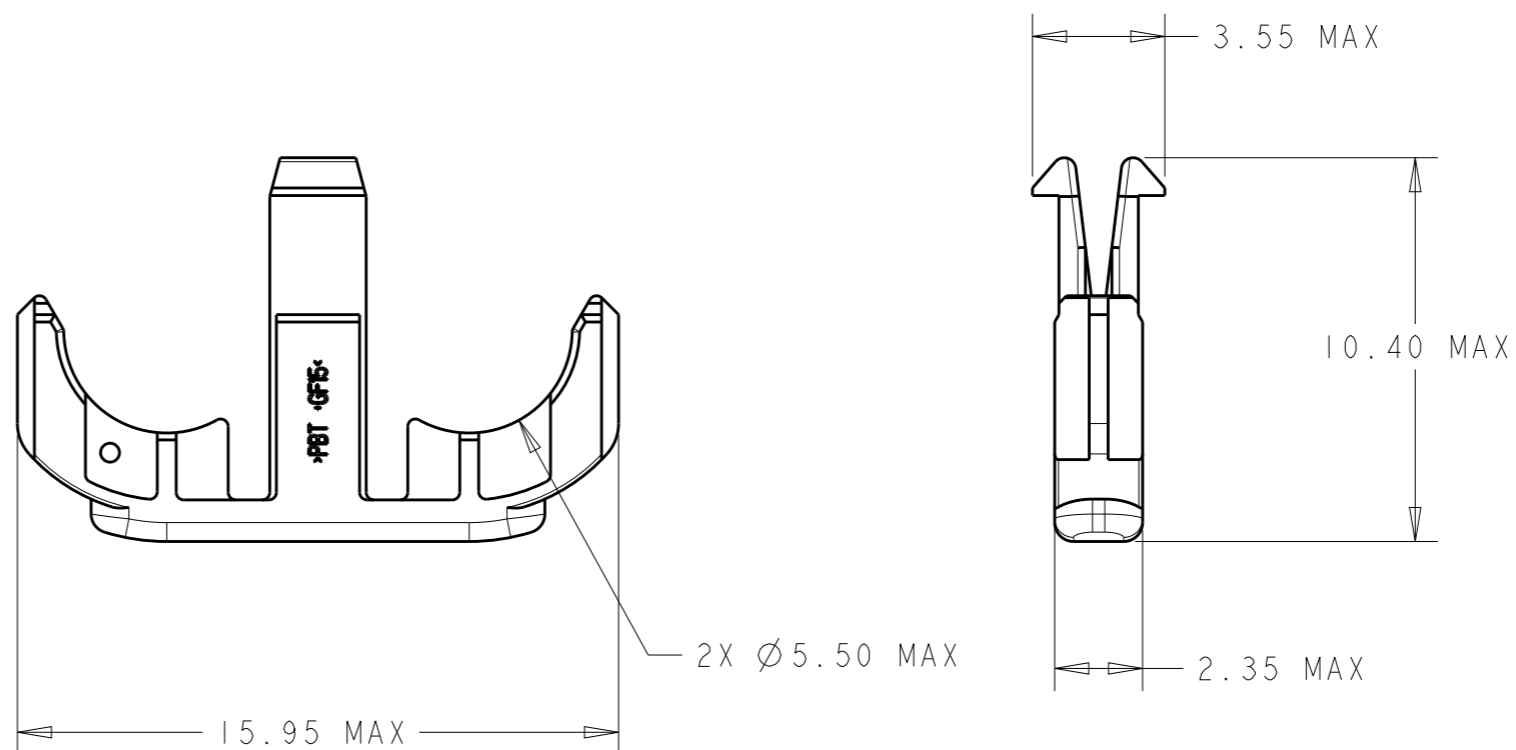
ALL RIGHTS RESERVED.

LOC IN DIST 00

REVISIONS

P	LTR	DESCRIPTION	DATE	DWN	APVD
	B	ECO-13-013615	28AUG2013	KP	LV

△ POLYESTER PBT, RED.



ISOMETRIC VIEW

1924857-1
PART NUMBER

THIS DRAWING IS A CONTROLLED DOCUMENT.

DIMENSIONS: mm		TOLERANCES UNLESS OTHERWISE SPECIFIED:	
		0 PLC	±-
		1 PLC	±-
		2 PLC	±-
		3 PLC	±-
		4 PLC	±-
MATERIAL -		FINISH -	
		ANGLES ±-	
		MATERIAL -	

DWN	K. PETERSON	26AUG2004
CHK	L. VARSIK	-
APVD	L. VARSIK	-
PRODUCT SPEC	-	
APPLICATION SPEC	-	
WEIGHT	-	
CUSTOMER DRAWING		

STE TE Connectivity			
NAME LOCK, 2 POSITION, STANDARD 8.0mm, FAKRA 4			
SIZE	CAGE CODE	DRAWING NO	RESTRICTED TO
A3	00779	1924857	-
SCALE 5:1		SHEET 1 OF 1	REV B

单击下面可查看定价，库存，交付和生命周期等信息

[>>TE Connectivity\(泰科\)](#)