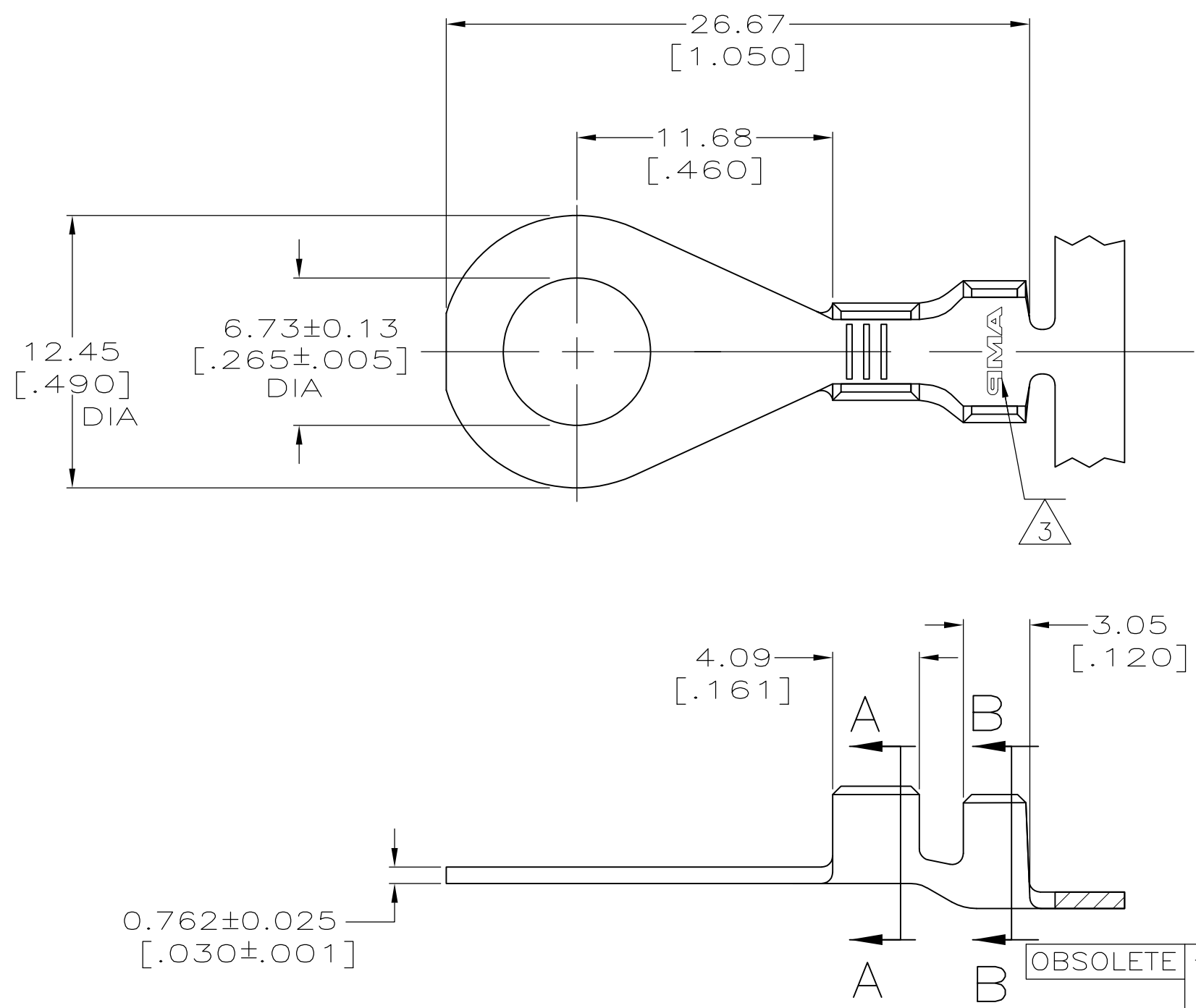
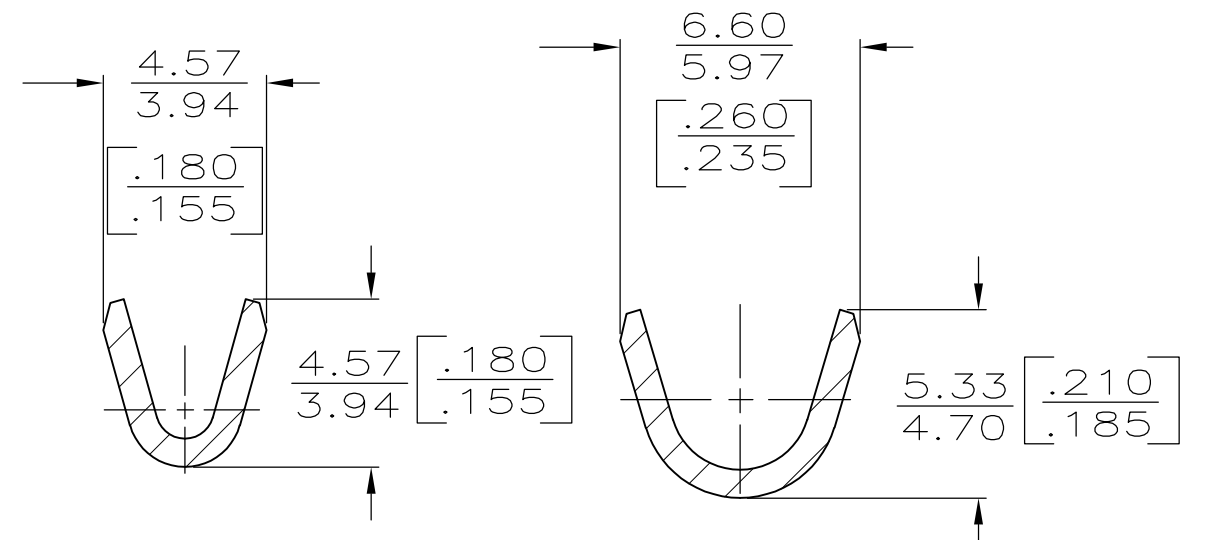


THIS DRAWING IS UNPUBLISHED. RELEASED FOR PUBLICATION
 © COPYRIGHT - By - ALL RIGHTS RESERVED.

LOC	DIST	REVISIONS			
P	LTR	DESCRIPTION	DATE	DWN	APVD
AF	50	J2	REVISED PER ECR-11-009335	09AUG1	JR PD



- 1 CONTINUOUS STRIP ON REEL.
- 2 INSULATION RANGE:
2.03-2.92 [.080-.115] F CRIMP
2.92-3.81 [.115-.150] O CRIMP.
- 3 STAMPING:
AMP FOR PART NO 61867-2
AMP* FOR PART NO 61867-3.



SECTION A-A
SCALE 5:1

SECTION B-B
SCALE 5:1

OBSOLETE	[18-14] AWG	H02 PHOS BRZ	61867-3
		082 BRASS	61867-2
INSULATION RANGE	WIRE RANGE	MATERIAL	PART NO

THIS DRAWING IS A CONTROLLED DOCUMENT.		DWN 2/16/94 PHILLIP M FORTNEY	STE TE Connectivity	
DIMENSIONS: INCHES		CHK 2/16/94 JEFF RUTH		
TOLERANCES UNLESS OTHERWISE SPECIFIED:		APVD 2/16/94 GARY YETTER	NAME	
0 PLC ± -		PRODUCT SPEC 2/16/94 RON KUZO	RING	
1 PLC ± -		APPLICATION SPEC	-	
2 PLC ± 0.25 [.010]		WEIGHT -	SIZE A3	CAGE CODE 00779
3 PLC ± -		CUSTOMER DRAWING	DRAWING NO C-61867	RESTRICTED TO -
4 PLC ± -			SCALE 4:1	SHEET 1 OF 1
ANGLES ± -				
MATERIAL SEE TABLE				
FINISH TIN PLATE				

单击下面可查看定价，库存，交付和生命周期等信息

[>>TE Connectivity\(泰科\)](#)