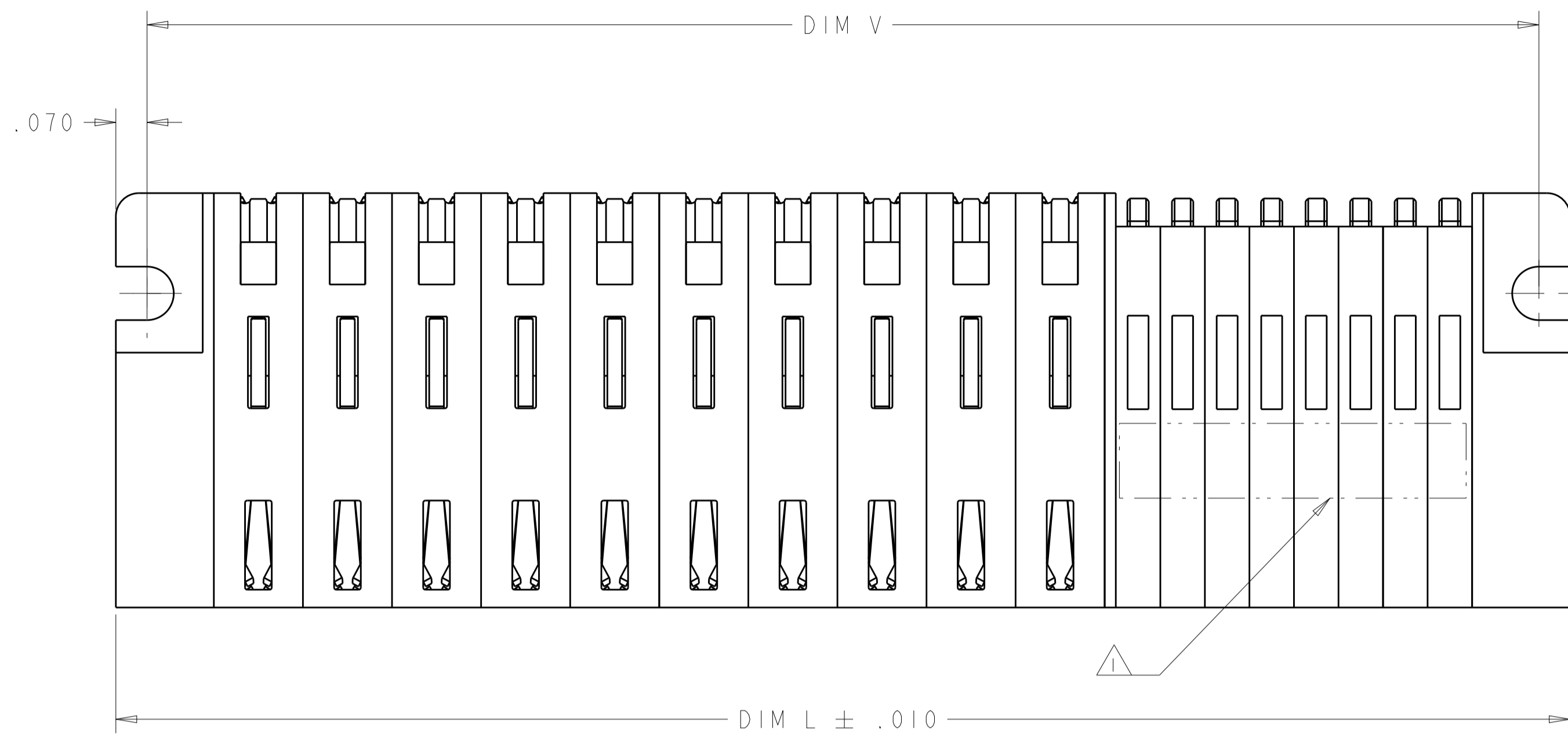
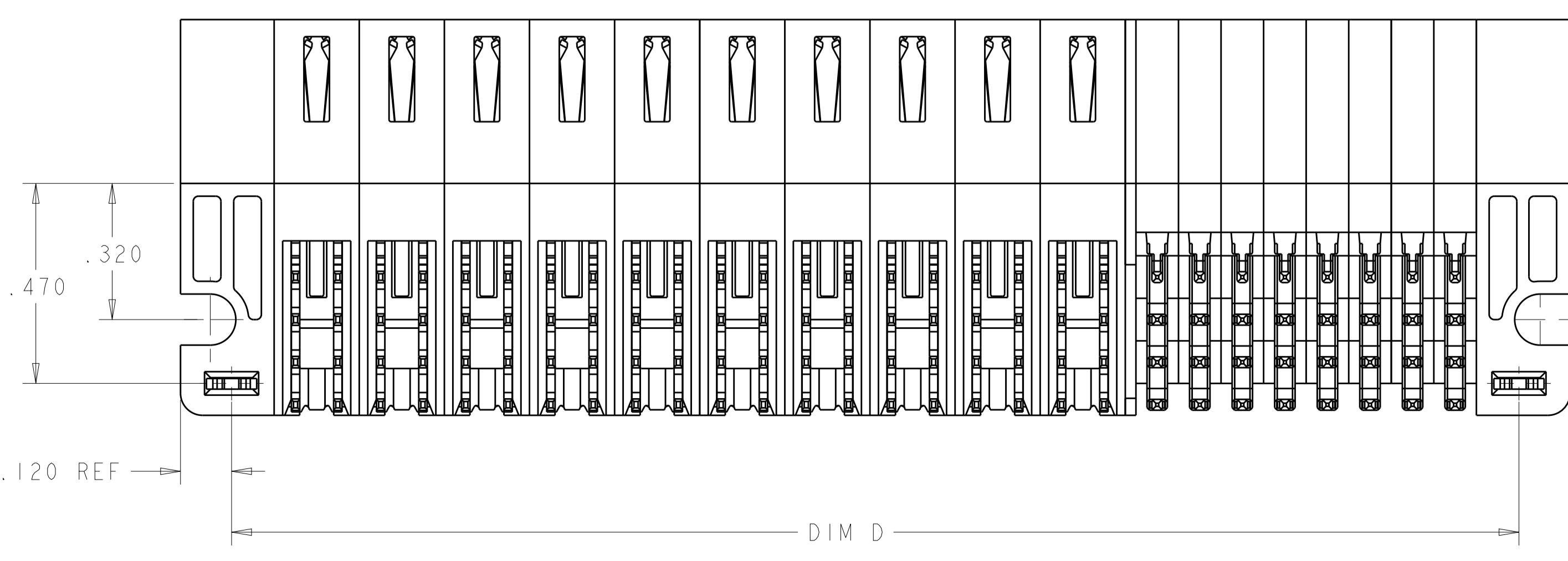
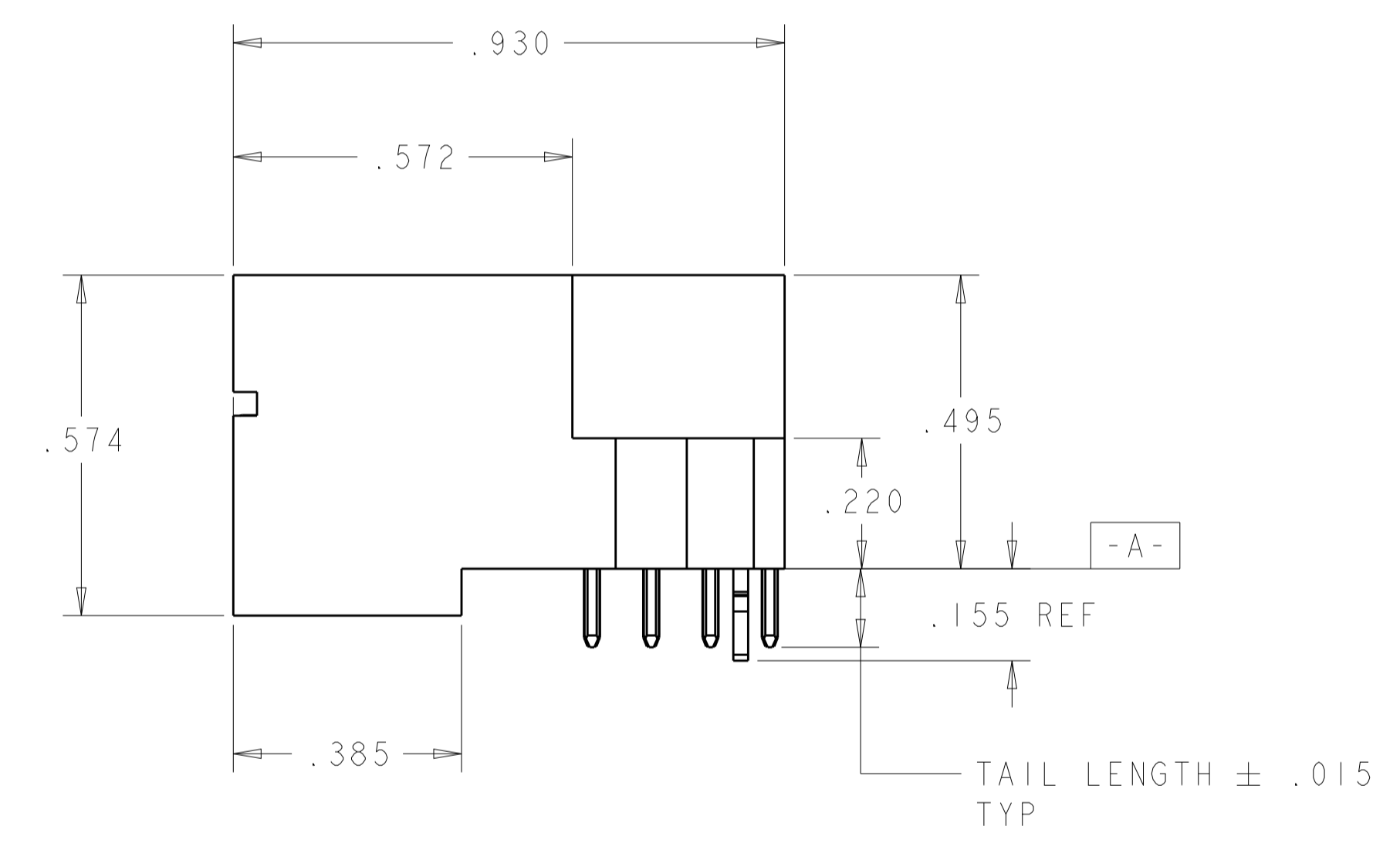
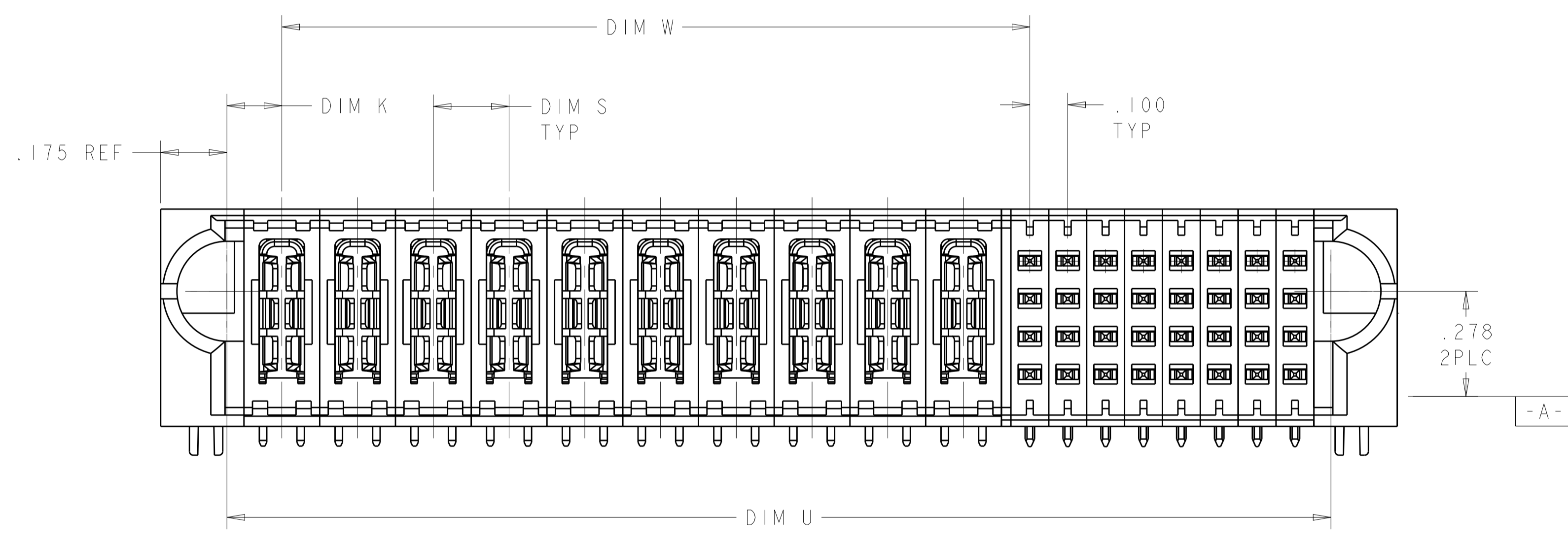


LOC	DIST	REVISIONS			
P	LTN	DESCRIPTION	DATE	DWN	APVD
K4		REVISED 4-7 BY CUSTOMER	18MAY2015	CZ	SZ
K5		REVISED 4-7 SIGNAL PINS BY CUSTOMER	09JUN2015	CZ	SZ
K6		REV PER ECO-17-001490	12DEC2016	CZ	SZ



- 1 "AMP", PART NUMBER AND DATE CODE TO BE MARKED IN AREA SHOWN PARTS UNDER 2.00" LONG MAY BE MARKED ON BOTH SIDES
- 2 MATERIAL:
HOUSING - GLASS FILLED HIGH TEMP THERMO PLASTIC, UL94 V-0
SIGNAL CONTACT - COPPER ALLOY
POWER CONTACT - HIGH CONDUCTIVITY COPPER ALLOY
- 3 CONTACT PLATING: NOBLE METAL PLATING ON CONTACT FUNCTIONAL AREA OF SIGNAL CONTACTS AND POWER CONTACTS.
- 4 MECHANICAL CONNECTOR KEEP OUT ZONE
- 5 DATUM AND BASIC DIMENSIONS ESTABLISHED BY CUSTOMER
- 6 PCB - ALL HOLE DIAMETERS ARE FINISHED HOLE SIZES
- 7 PCB - 0.0453 ± .0010 DRILLED HOLES PLATED WITH .0003 MIN Sn OVER .001 TO .003 Cu PLATING TO ACHIEVE A .040 ± .030 HOLE
- 8 FOR CONFIGURATION "L/P", "P/LP/S", PLEASE REFER TO SHEET 3.
- 9 VARIABLE DIMENSIONS PLEASE SEE PART TABLE.



THIS DRAWING IS A CONTROLLED DOCUMENT.		DWN: H. LIU 27MAY2008	TE Connectivity
		CHK: S. ZHAO 27MAY2008	
DIMENSIONS:	TOLERANCES UNLESS OTHERWISE SPECIFIED:	APVD: S. ZHAO	NAME: R/A HEADER WITH SHORT GUIDES AND LP CONTACTS ASSEMBLY MULTI-BEAM XLE
INCHES	0 PLC ± .01 1 PLC ± .01 2 PLC ± .01 3 PLC ± .005 4 PLC ± .0020	PRODUCT SPEC: 108-2292	SIZE: CAGE CODE DRAWING NO: A100779C=6450832
	ANGLES ± .0020	APPLICATION SPEC: 114-13251	RESTRICTED TO: -
MATERIAL:	FINISH:	WEIGHT:	SCALE: 2:1 SHEET 1 OF 24 REV: K6
		CUSTOMER DRAWING	

LOC	DIST	REVISIONS			
P.	LTN	DESCRIPTION	DATE	OWN	APVD
-	-	SEE SHEET 1	-	-	-

LOC	DIST	LOC	DIST	LOC	DIST	LOC	DIST	DESCRIPTION	PART NUMBER
△9	4.640	4.500	4.290	4.400	2.550	.145	5P + 2HDP + 4P + 64S	5-6450832-9	
△9	5.290	5.150	4.940	5.050	4.050	.195	15P + 28S	4-6450832-7	
.200	2.965	2.825	2.615	2.725	1.975	.145	10HDP + 20S	4-6450832-6	
△9	2.090	1.950	1.740	1.850	1.000	.145	5HDP + 24S	4-6450832-5	
.200	1.990	1.850	1.640	1.750	.975	.170	5HDP + 20S	4-6450832-4	
△9	3.790	3.650	3.440	3.550	2.625	.170	12P + 24S	4-6450832-3	
.250	3.240	3.100	2.890	3.000	1.925	.170	8P + 32S	4-6450832-2	
.250	3.240	3.100	2.890	3.000	1.925	.170	8P + 32S	4-6450832-1	
.350	1.565	1.325	1.215	1.425	.975	.145	3P + 4S	4-6450832-0	
.250	3.040	2.900	2.690	2.800	1.925	.170	8HDP + 24S	3-6450832-9	
△9	2.965	2.825	2.615	2.725	1.825	.195	3ACP + 4P + 24S	3-6450832-8	
△9	5.290	5.150	4.940	5.050	4.050	.195	15P + 28S	3-6450832-6	
.200	1.990	1.850	1.640	1.750	.975	.170	5HDP + 20S	3-6450832-5	
.250	3.090	2.950	2.740	2.850	1.950	.170	8P + 24S	3-6450832-4	
△9	4.640	4.500	4.290	4.400	2.550	.145	5P + 2HDP + 4P + 64S	3-6450832-3	
.200	3.265	3.125	2.915	3.025	2.175	.145	11HDP + 24S	3-6450832-2	
.115 △8	.945	.805	.595	.705	.2725 △8	.1025 △8	2LP + 8S	3-6450832-1	
.375	2.240	2.100	1.890	2.000	1.500	.170	4ACP + 8S	3-6450832-0	
.200	3.265	3.125	2.915	3.025	2.175	.145	11HDP + 24S	2-6450832-8	
.200	3.065	2.925	2.715	2.825	1.975	.145	10HDP + 24S	2-6450832-7	
.200	2.240	2.100	1.890	2.000	1.150	.145	6HDP + 24S	2-6450832-6	
△8	2.420	2.280	2.070	2.180	1.330	.145	5P + 2LP + 24S	2-6450832-5	
△8	3.065	2.925	2.715	2.825	1.525	.195	4P + 40S	2-6450832-4	
△8	4.015	3.875	3.665	3.775	3.075	.195	3ACP + 9P + 16S	2-6450832-3	
.250	2.415	2.275	2.065	2.175	1.425	.145	6P + 20S	2-6450832-2	
△8	2.420	2.280	2.070	2.180	1.330	.145	5P + 2LP + 24S	2-6450832-0	
.250	3.790	3.650	3.440	3.550	2.675	.170	11P + 24S	1-6450832-9	
△8	3.740	3.600	3.390	3.500	2.625	.170	3ACP + 8P + 24S	1-6450832-7	
△8	3.790	3.650	3.440	3.550	2.700	.145	13P + 24S	1-6450832-6	
.250	1.490	1.350	1.140	1.250	.675	.170	3P + 12S	1-6450832-4	
.250	1.565	1.425	1.215	1.325	.425	.170	2P + 24S	1-6450832-2	
.250	3.790	3.650	3.440	3.550	2.900	.145	12P + 16S	1-6450832-0	
△8	1.590	1.450	1.240	1.350	.650	.170	2P + 8S	6450832-9	
.115 △8	.970	.830	.620	.730	.2725 △8	.1275 △8	2LP + 8S	6450832-8	
△8	3.740	3.600	3.390	3.500	2.625	.170	3ACP + 8P + 24S	6450832-7	
.200	3.065	2.925	2.715	2.825	1.975	.145	10HDP + 24S	6450832-5	
.200	3.065	2.925	2.715	2.825	1.975	.145	10HDP + 24S	6450832-4	
.250	2.565	2.425	2.215	2.325	1.425	.170	6P + 24S	6450832-3	
△8	2.575	2.435	2.225	2.335	1.460 △8	.170 △8	4P + 4LP + 24S	6450832-2	
.200	3.265	3.125	2.915	3.025	1.975	.145	10HDP + 32S	6450832-1	
DIM S	DIM L	DIM V	DIM U	DIM D	DIM W	DIM K	DESCRIPTION	PART NUMBER	

Ⓜ VIEW IN SHEET 6

THIS DRAWING IS A CONTROLLED DOCUMENT. DWN 27MAY2008
 CHK H. LIU
 S. ZHAO 27MAY2008

TE Connectivity

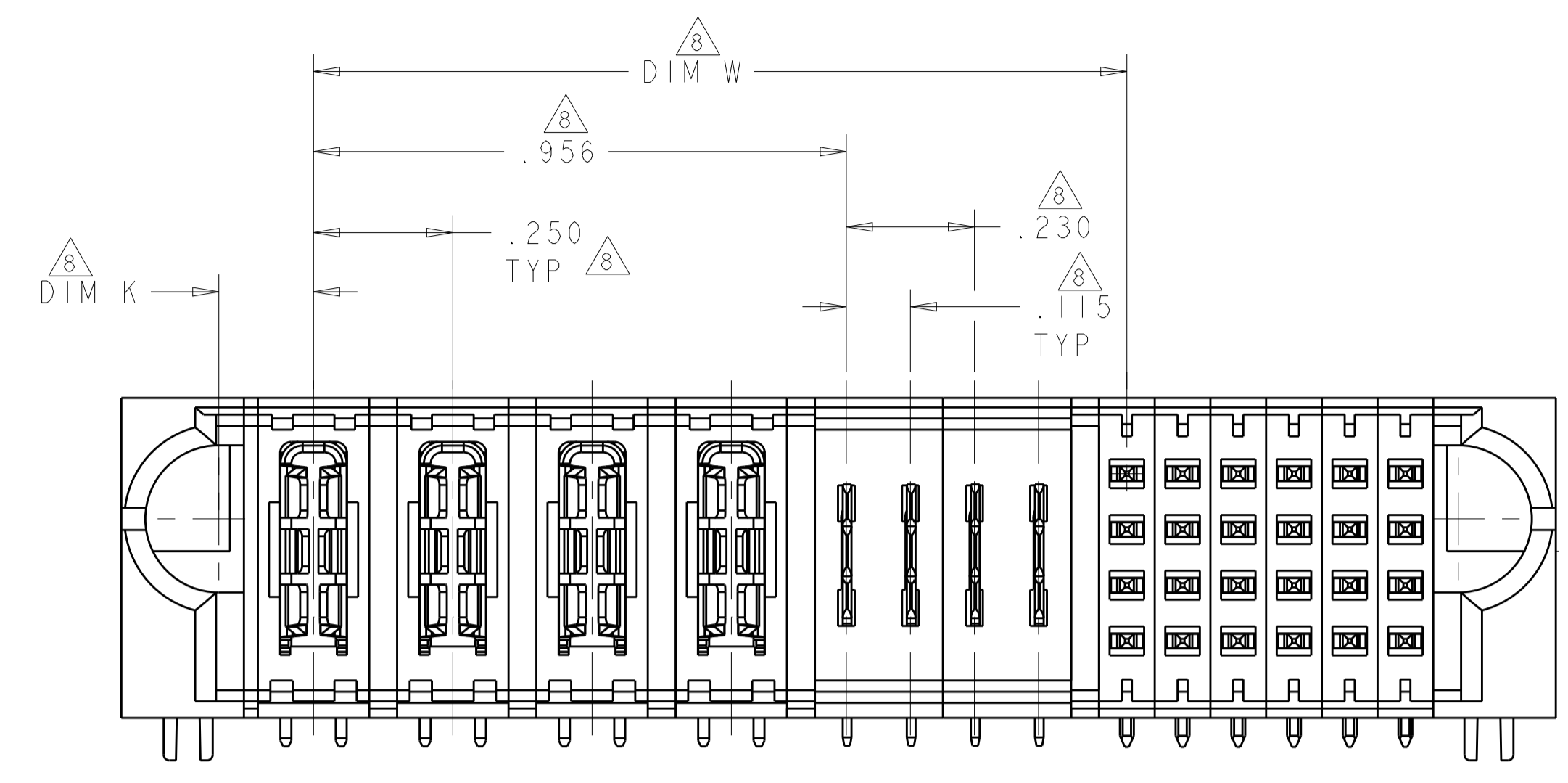
NAME: R/A HEADER WITH SHORT GUIDES AND LP CONTACTS ASSEMBLY
 PRODUCT SPEC: 108-2292
 APPLICATION SPEC: MULTI-BEAM XLE

SIZE: 114-13251 CAGE CODE: 6450832 DRAWING NO: A100779

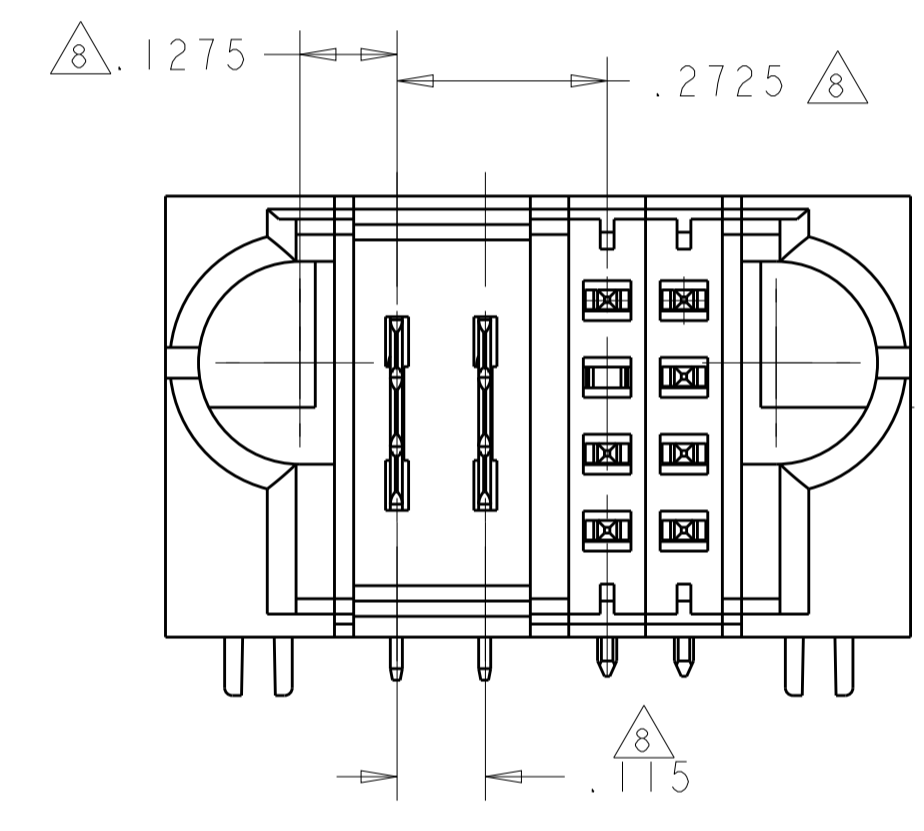
RESTRICTED TO: -

CUSTOMER DRAWING SCALE: 4:1 SHEET 2 OF 24 REV: K6

LOC	DIST	REVISIONS			
P	LTN	DESCRIPTION	DATE	DWN	APVD
-	-	SEE SHEET 1	-	-	-



FOR P/N:6450832-2, OTHER DIMENSIONS PLEASE SEE TABLE

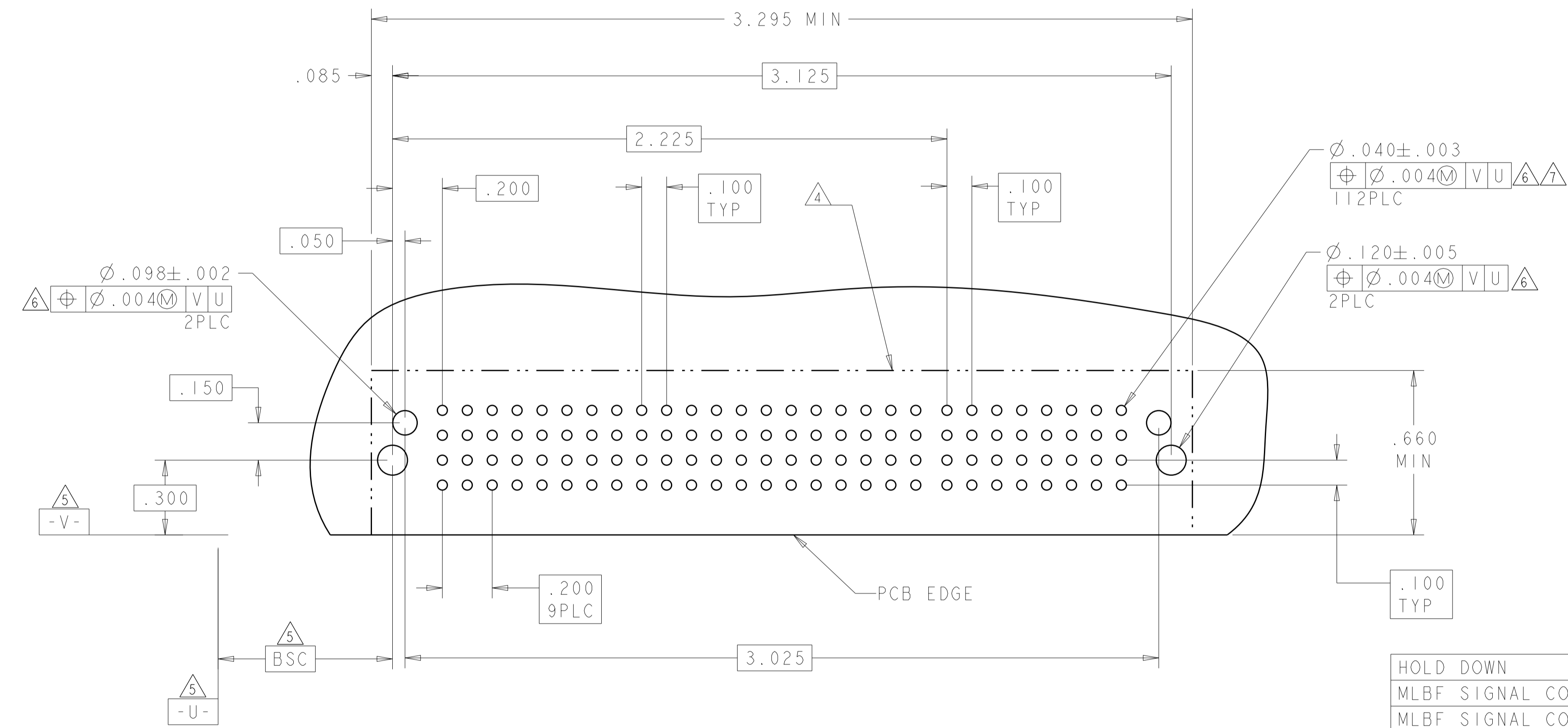


FOR P/N:6450832-8 AND 3-6450832-1, OTHER DIMENSIONS PLEASE SEE SHEET 1

THIS DRAWING IS A CONTROLLED DOCUMENT.		DWN H. LIU 27MAY2008	
		CHK S. ZHAO 27MAY2008	
DIMENSIONS:	TOLERANCES UNLESS OTHERWISE SPECIFIED:	APVD S. ZHAO	NAME R/A HEADER WITH SHORT GUIDES AND LP CONTACTS ASSEMBLY MULTI-BEAM XLE
INCHES	0 PLC ±. 1 PLC ±.01 2 PLC ±.01 3 PLC ±.005 4 PLC ±.0020	PRODUCT SPEC 108-2292	SIZE A100779
	ANGLES ±.2°	APPLICATION SPEC 114-13251	DRAWING NO C=6450832
MATERIAL	FINISH	WEIGHT	RESTRICTED TO
CUSTOMER DRAWING		SCALE 4:1	SHEET 3 OF 24 REV K6

LOC	DIST	REVISIONS			
P	LTN	DESCRIPTION	DATE	OWN	APVD
-	-	SEE SHEET 1	-	-	-

PART NUMBER	ROWS	POWER										SIGNAL									
		P1	P2	P3	P4	P5	P6	P7	P8	P9	P10	1	2	3	4	5	6	7	8		
6450832-1	D	TM	TM	TM	TM	TM	TM	TM	TM	TM	TM	J	J	J	J	J	J	J	J		
	C	TM	TM	TM	TM	TM	TM	TM	TM	TM	K	K	K	K	K	K	K	K			
	B	TM	TM	TM	TM	TM	TM	TM	TM	TM	N	N	N	N	N	G	N	N			
	A	TM	TM	TM	TM	TM	TM	TM	TM	TM	S	S	S	S	S	S	S	S			
10HDP + 32S																					



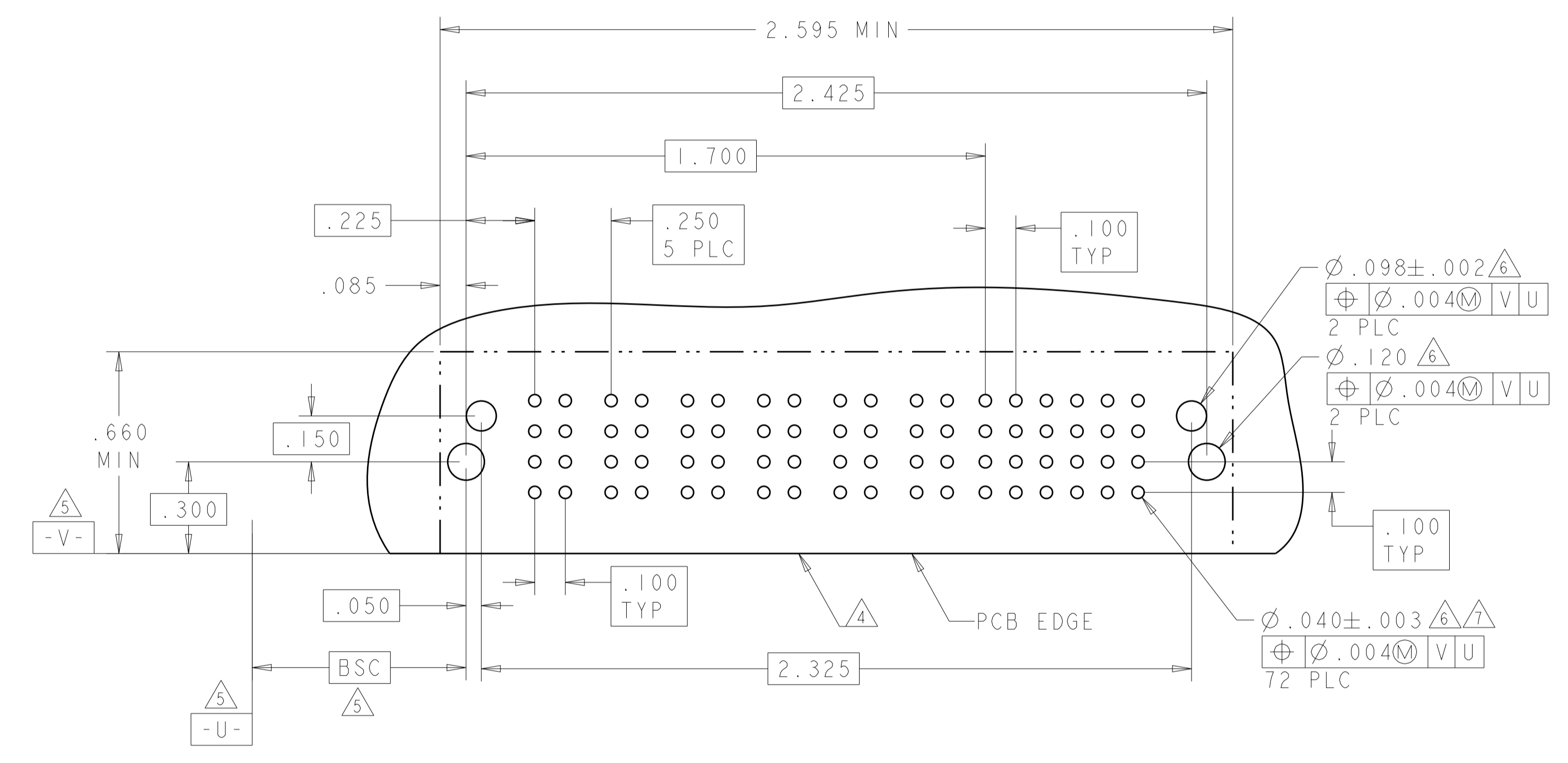
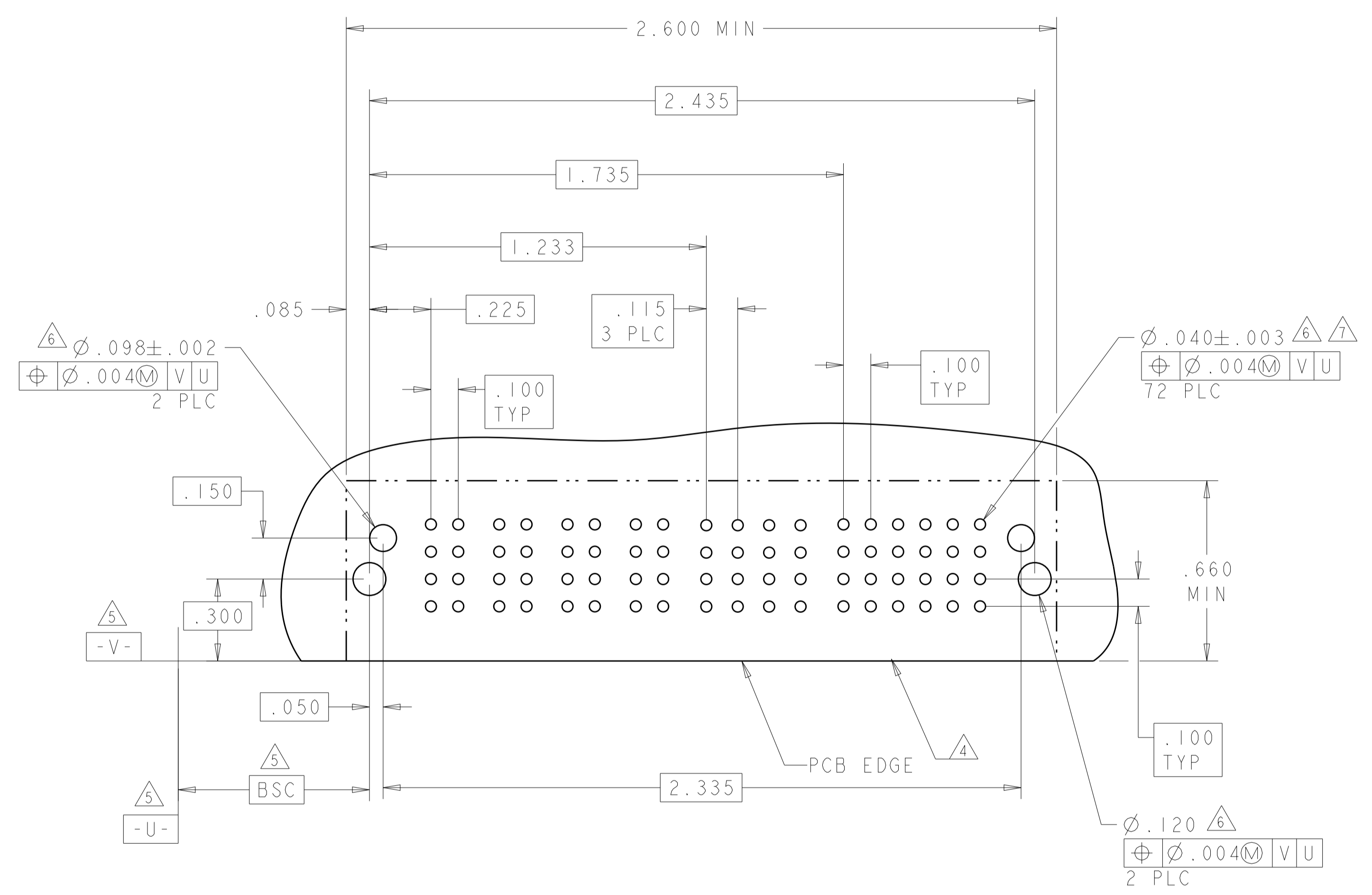
DESCRIPTION	IDENTIFIER
HOLD DOWN	HD
MLBF SIGNAL CONTACT, .135 TAIL LENGTH, ROW D	E
MLBF SIGNAL CONTACT, .135 TAIL LENGTH, ROW C	F
MLBF SIGNAL CONTACT, .135 TAIL LENGTH, ROW B	G
MLBF SIGNAL CONTACT, .135 TAIL LENGTH, ROW A	H
MFBL SIGNAL CONTACT, .135 TAIL LENGTH, ROW D	FJ
MFBL SIGNAL CONTACT, .135 TAIL LENGTH, ROW C	FK
MFBL SIGNAL CONTACT, .135 TAIL LENGTH, ROW B	FN
MFBL SIGNAL CONTACT, .135 TAIL LENGTH, ROW A	FS
STANDARD SIGNAL CONTACT, .135 TAIL LENGTH, ROW D	J
STANDARD SIGNAL CONTACT, .135 TAIL LENGTH, ROW C	K
STANDARD SIGNAL CONTACT, .135 TAIL LENGTH, ROW B	N
STANDARD SIGNAL CONTACT, .135 TAIL LENGTH, ROW A	S
MFBL LOWER POWER CONTACT .135 TAIL LENGTH.	LMF
STD LOWER POWER CONTACT .135 TAIL LENGTH	LM
3-BEAM POWER CONTACT, .135 TAIL LENGTH	TM

THIS DRAWING IS A CONTROLLED DOCUMENT.		OWN: H.LIU 27MAY2008	TE Connectivity
DIMENSIONS: INCHES		CHK: S.ZHAO 27MAY2008	
TOLERANCES UNLESS OTHERWISE SPECIFIED:		APVD: S.ZHAO	NAME: R/A HEADER WITH SHORT GUIDES AND LP CONTACTS ASSEMBLY MULTI-BEAM XLE
0 PLC ±.01	1 PLC ±.01	PRODUCT SPEC: 108-2292	SIZE: 114-13251
2 PLC ±.005	3 PLC ±.005	APPLICATION SPEC: 114-13251	RESTRICTED TO: -
4 PLC ±.0020	ANGLES ±.0020	WEIGHT: -	SCALE: 4:1
MATERIAL: -	FINISH: -	CUSTOMER DRAWING	SHEET 4 OF 24

LOC	DIST	REVISIONS			
P	LTM	DESCRIPTION	DATE	DMN	APVD
-	-	SEE SHEET 1	-	-	-

PART NUMBER	ROWS	POWER								SIGNAL							
		P1	P2	P3	P4	P5	P6	P7	P8	1	2	3	4	5	6		
6450832-2	D	TM	TM	TM	TM	LM	LM	LM	LM	J	J	J	J	J	J		
	C									K	K	K	K	K	K		
	B									N	N	N	N	N	N		
	A									S	S	S	S	S	S		
4P + 4LP + 24S		HD															HD

PART NUMBER	ROWS	POWER						SIGNAL									
		P1	P2	P3	P4	P5	P6	1	2	3	4	5	6				
6450832-3	D	TM	TM	TM	TM	TM	TM	J	J	J	J	J	J				
	C							K	K	K	K	K	K				
	B							N	N	N	N	N	N				
	A							S	S	S	S	S	S				
6P + 24S		HD															HD



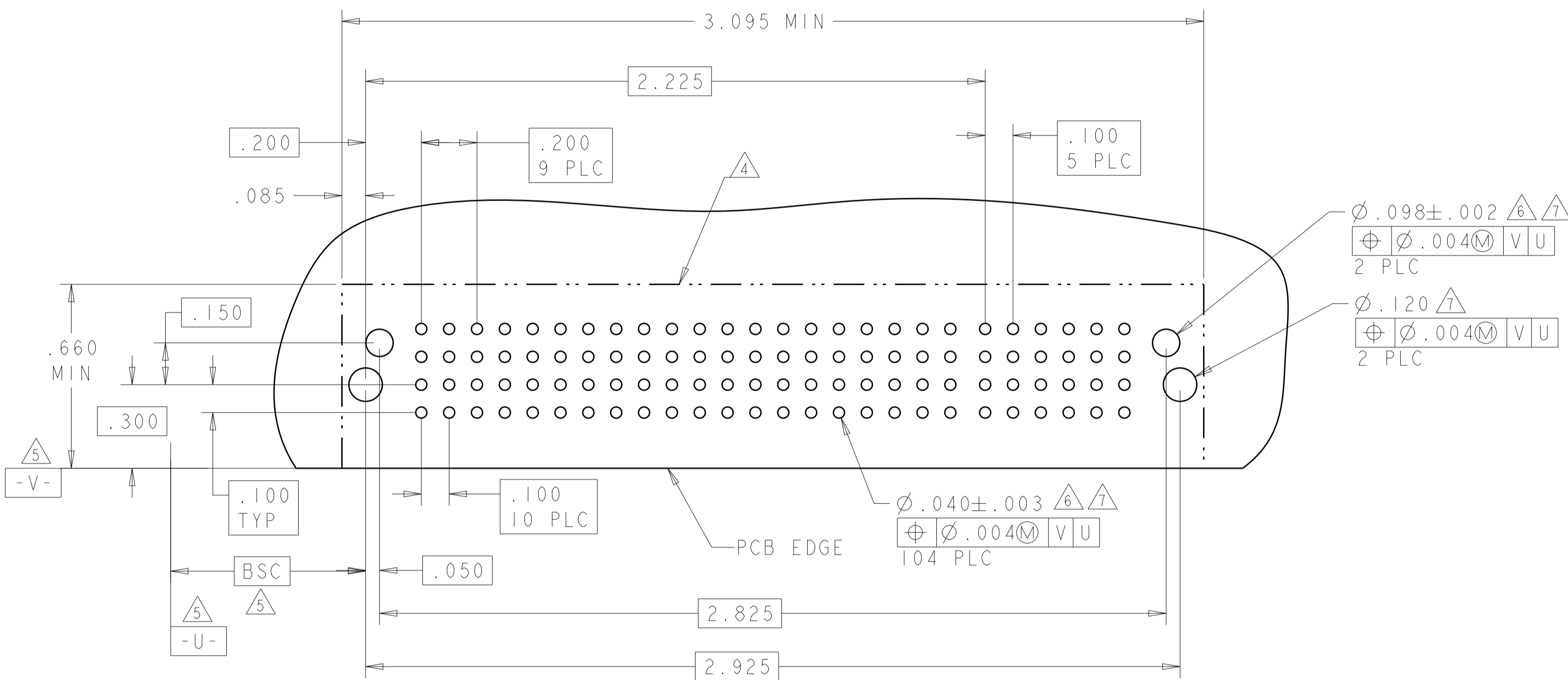
THIS DRAWING IS A CONTROLLED DOCUMENT.		DMN: H.LIU 27MAY2008	STE TE Connectivity
DIMENSIONS: INCHES		CHK: S.ZHAO 27MAY2008	
TOLERANCES UNLESS OTHERWISE SPECIFIED:		APVD: S.ZHAO	NAME: R/A HEADER WITH SHORT GUIDES AND LP CONTACTS ASSEMBLY MULTI-BEAM XLE
0 PLC ±.01		PRODUCT SPEC: 108-2292	SIZE: A1
1 PLC ±.01		APPLICATION SPEC: 114-13251	CAGE CODE: C=6450832
2 PLC ±.01		WEIGHT: -	RESTRICTED TO: -
3 PLC ±.005		CUSTOMER DRAWING	SCALE: 4:1
4 PLC ±.0020			SHEET 5 OF 24
ANGLES: ±2°			REV: K6

LOC	DIST	REVISIONS			
P	LTM	DESCRIPTION	DATE	OWN	APVD
-	-	SEE SHEET 1	-	-	-

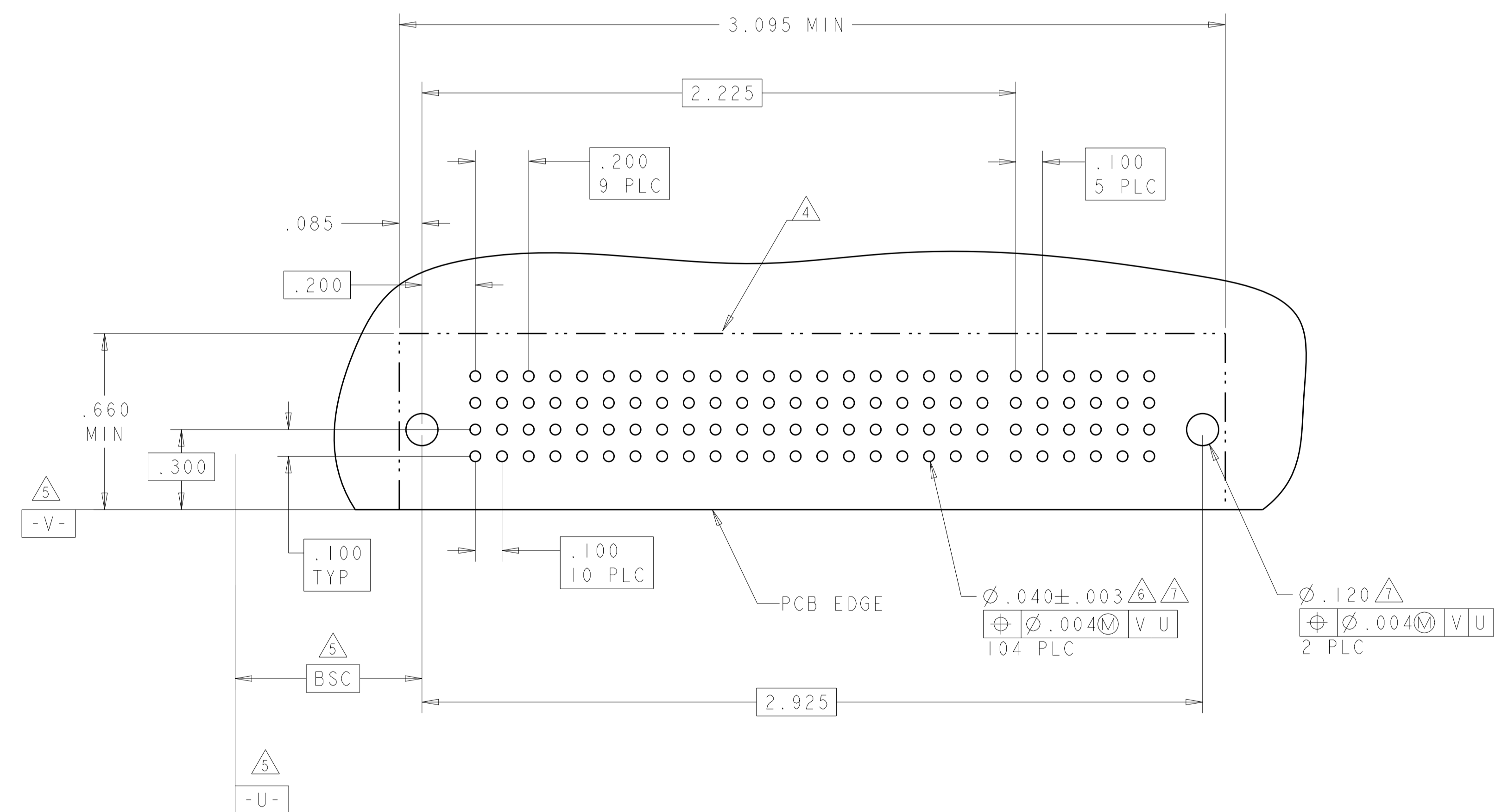
PART NUMBER	ROWS	POWER										SIGNAL					
		P1	P2	P3	P4	P5	P6	P7	P8	P9	P10	1	2	3	4	5	6
6450832-4	D C B A	TM	TM	TM	TM	TM	TM	TM	TM	TM	TM	J	J	J	J	J	J
		TM	TM	TM	TM	TM	TM	TM	TM	TM	TM	K	K	K	K	K	K
		TM	TM	TM	TM	TM	TM	TM	TM	TM	TM	N	N	N	N	N	N
10HDP + 24S											H	S	S	S	S	S	

PART NUMBER	ROWS	POWER										SIGNAL					
		P1	P2	P3	P4	P5	P6	P7	P8	P9	P10	1	2	3	4	5	6
6450832-5	D C B A	TM	TM	TM	TM	TM	TM	TM	TM	TM	TM	J	J	J	J	J	J
		TM	TM	TM	TM	TM	TM	TM	TM	TM	TM	K	K	K	K	K	K
		TM	TM	TM	TM	TM	TM	TM	TM	TM	TM	N	N	N	N	N	N
10HDP + 24S											H	S	S	S	S	S	

PART NUMBER	ROWS	POWER										SIGNAL					
		P1	P2	P3	P4	P5	P6	P7	P8	P9	P10	1	2	3	4	5	6
2-6450832-7	D C B A	TM	TM	TM	TM	TM	TM	TM	TM	TM	TM	J	J	J	J	J	J
		TM	TM	TM	TM	TM	TM	TM	TM	TM	TM	K	K	K	K	K	K
		TM	TM	TM	TM	TM	TM	TM	TM	TM	TM	N	N	N	N	N	N
10HDP + 24S											H	S	S	S	S	S	



$\varnothing .098 \pm .002$ 2 PLC
 $\varnothing .120$ 2 PLC
 $\varnothing .040 \pm .003$ 104 PLC



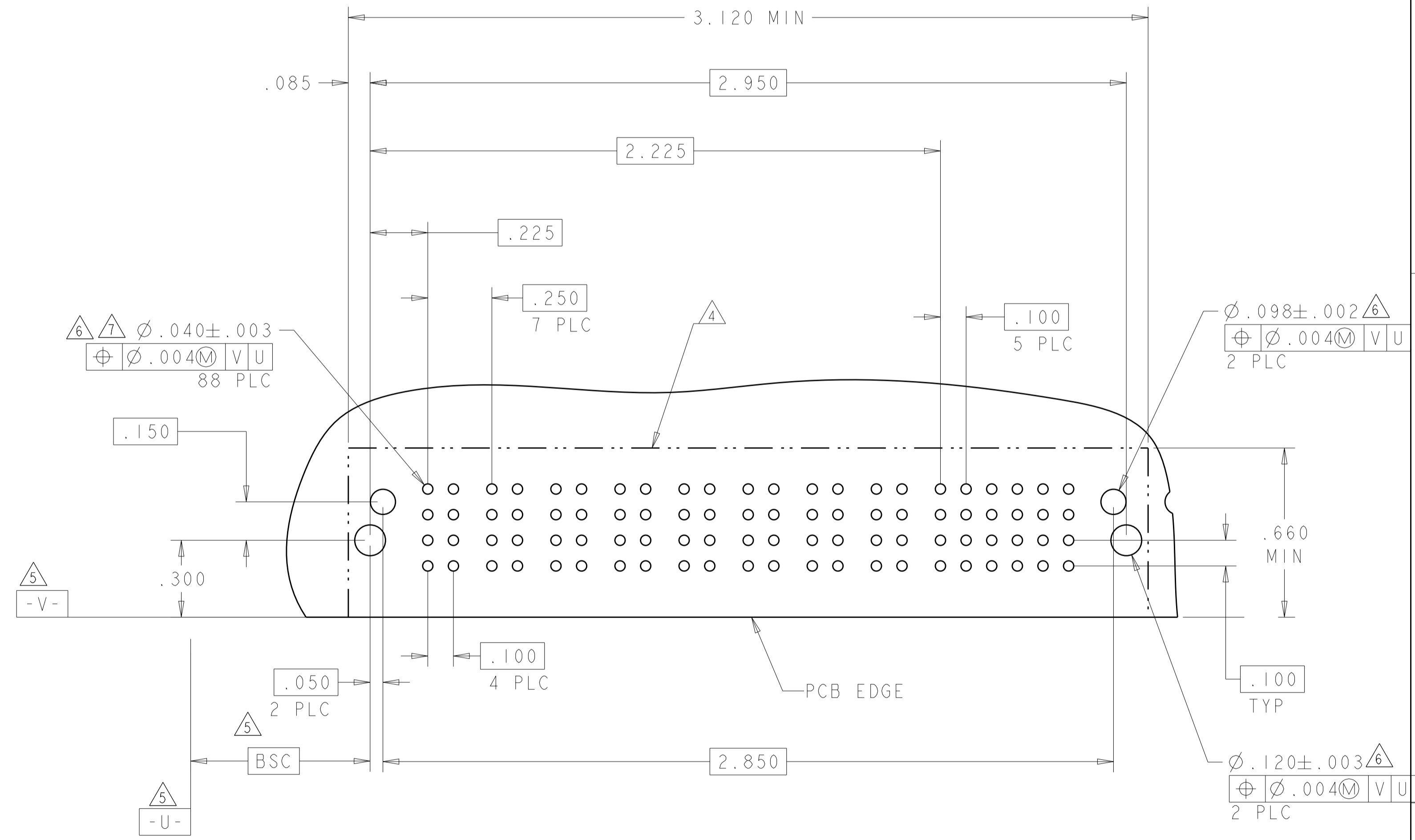
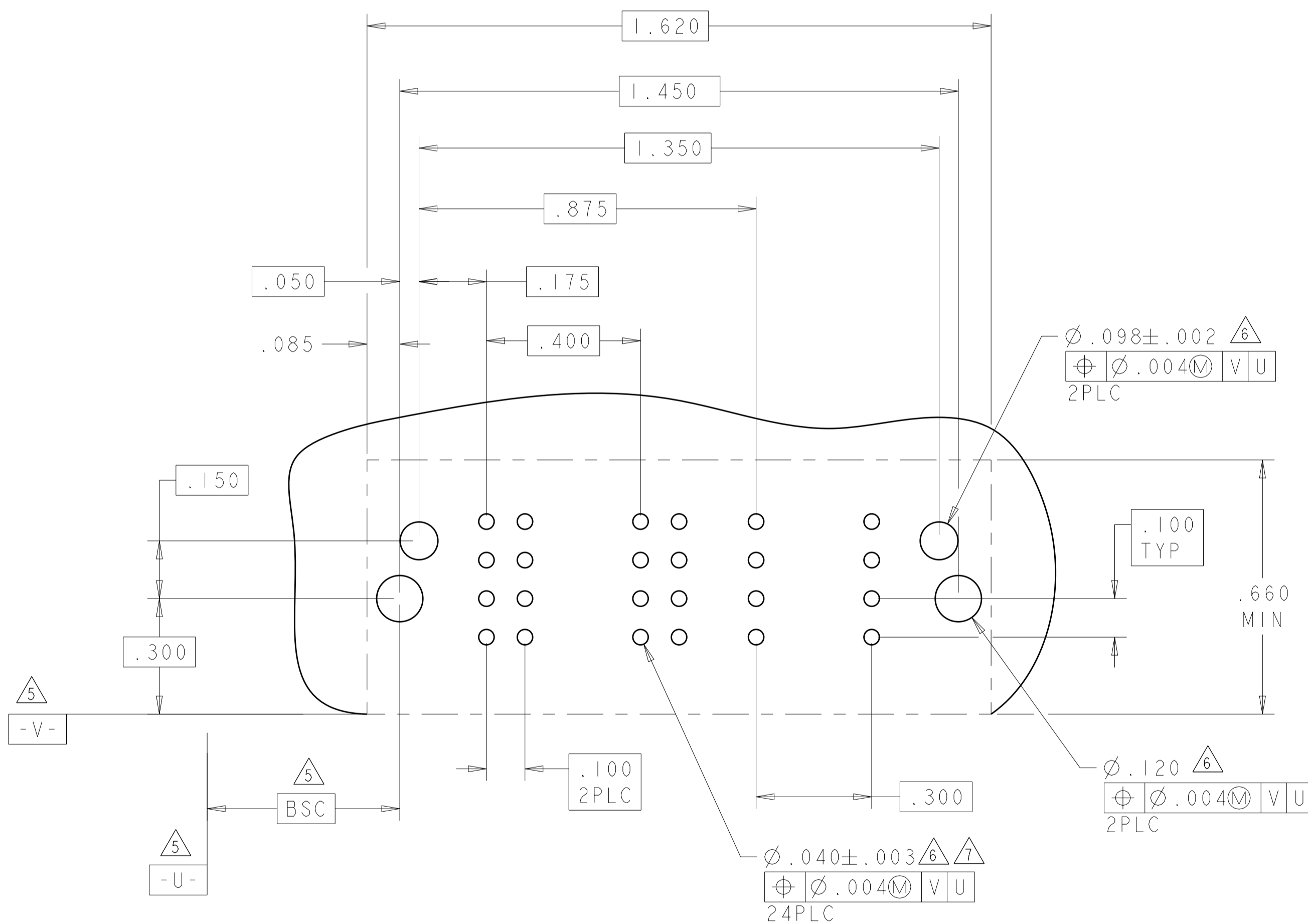
PCB LAYOUT FOR P/N: 6450832-5 AND 2-6450832-7

THIS DRAWING IS A CONTROLLED DOCUMENT.		OWN: H.LIU 27MAY2008	TE Connectivity
DIMENSIONS: INCHES		CHK: S.ZHAO 27MAY2008	
TOLERANCES UNLESS OTHERWISE SPECIFIED:		APVD: S.ZHAO	NAME: R/A HEADER WITH SHORT GUIDES AND LP CONTACTS ASSEMBLY
0 PLC ±.01		PRODUCT SPEC: 108-2292	MULTI-BEAM XLE
1 PLC ±.01		APPLICATION SPEC: 114-13251	SIZE: A1
2 PLC ±.005		WEIGHT: -	CAGE CODE: C=6450832
3 PLC ±.002		CUSTOMER DRAWING	SCALE: 4:1 SHEET 6 OF 24 REV: K6
ANGLES ±.0020			
FINISH: -			

LOC	DIST	REVISIONS			
P	LTM	DESCRIPTION	DATE	DMN	APVD
-	-	SEE SHEET 1	-	-	-

PART NUMBER	ROWS	POWER			SIGNAL			
		P1	P2	P3	1	2	3	4
6450832-9	D	TM	TM	TM	J			J
	C				K			K
	B				N			N
	A				S			S

PART NUMBER	ROWS	POWER								SIGNAL					
		P1	P2	P3	P4	P5	P6	P7	P8	1	2	3	4	5	6
3-6450832-4	D	TM	TM	TM	TM	TM	TM	TM	TM	J	J	J	J	J	J
	C									K	K	K	K	K	
	B									N	N	N	N	N	
	A									S	S	S	S	S	



H9

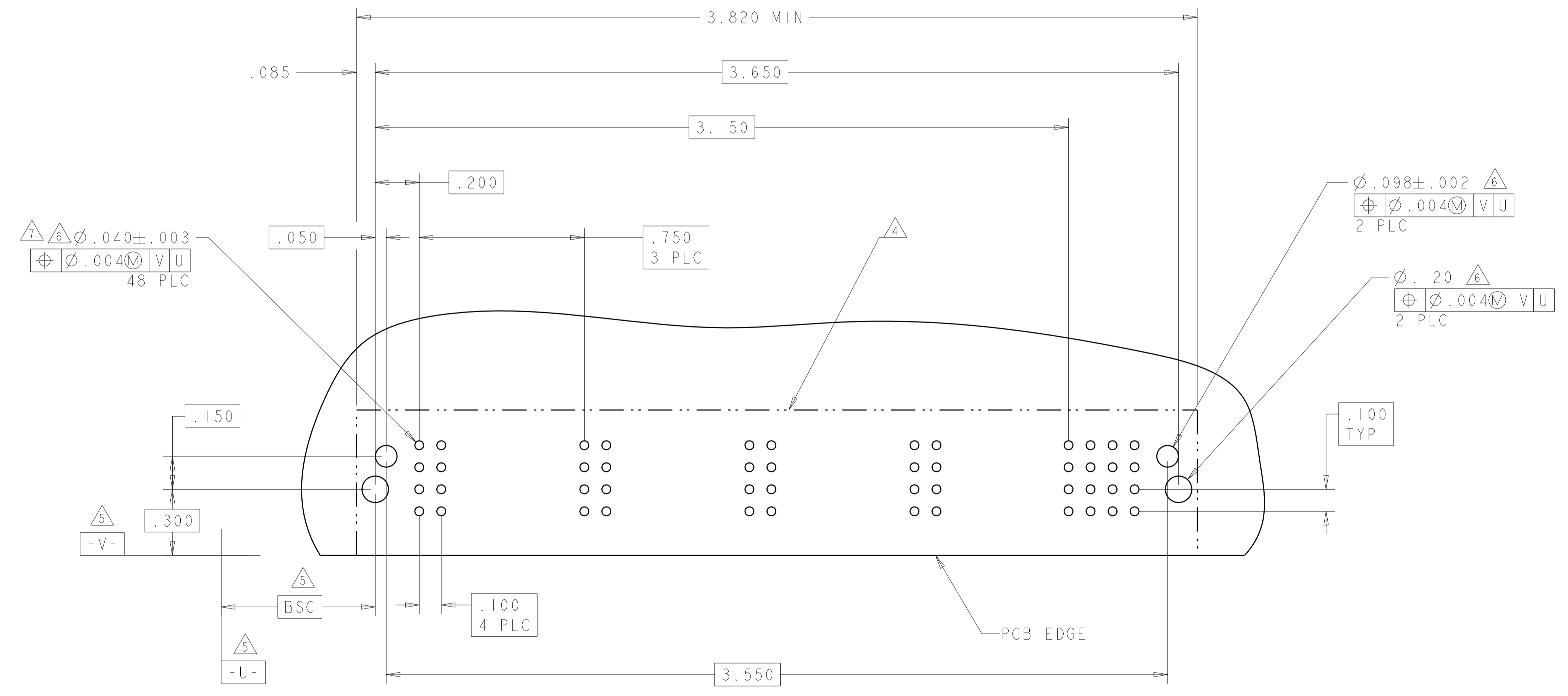
THIS DRAWING IS A CONTROLLED DOCUMENT.

DIMENSIONS: INCHES	TOLERANCES UNLESS OTHERWISE SPECIFIED:	DMN: H. LIU 27MAY2008	CHK: S. ZHAO 27MAY2008		TE Connectivity
0 PLC ±. 2 PLC ±.01 3 PLC ±.005 4 PLC ±.0020 ANGLES ±.7°	FINISH:	APVD: S. ZHAO	NAME: R/A HEADER WITH SHORT GUIDES AND LP CONTACTS ASSEMBLY MULTI-BEAM XLE		
MATERIAL:		PRODUCT SPEC: 108-2292	APPLICATION SPEC: 114-13251	SIZE: A100779	DRAWING NO: C=6450832
CUSTOMER DRAWING		SCALE: 4:1	SHEET: 8 OF 24	REV: K6	

LOC		DIST		REVISIONS			
P	LTN	DESCRIPTION	DATE	DWN	APVD		
-	-	SEE SHEET 1	-	-	-		

PART NUMBER	ROWS	POWER												SIGNAL			
		P1	P2	P3	P4	P5	P6	P7	P8	P9	P10	P11	P12	1	2	3	4
1-6450832-0	D	TM			TM			TM				TM		J	J	J	J
	C													K	K	K	K
	B													N	N	N	N
	A													S	S	S	S
12P + 16S		HD		HD		HD		HD		HD		HD		HD		HD	

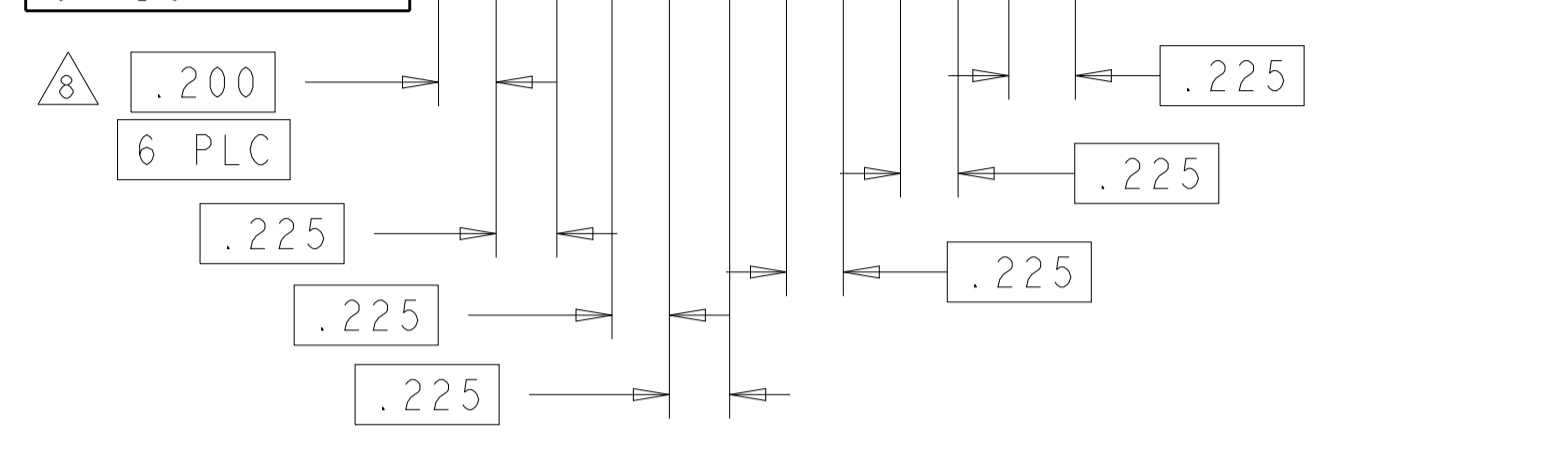
NO CONTACT LOADED



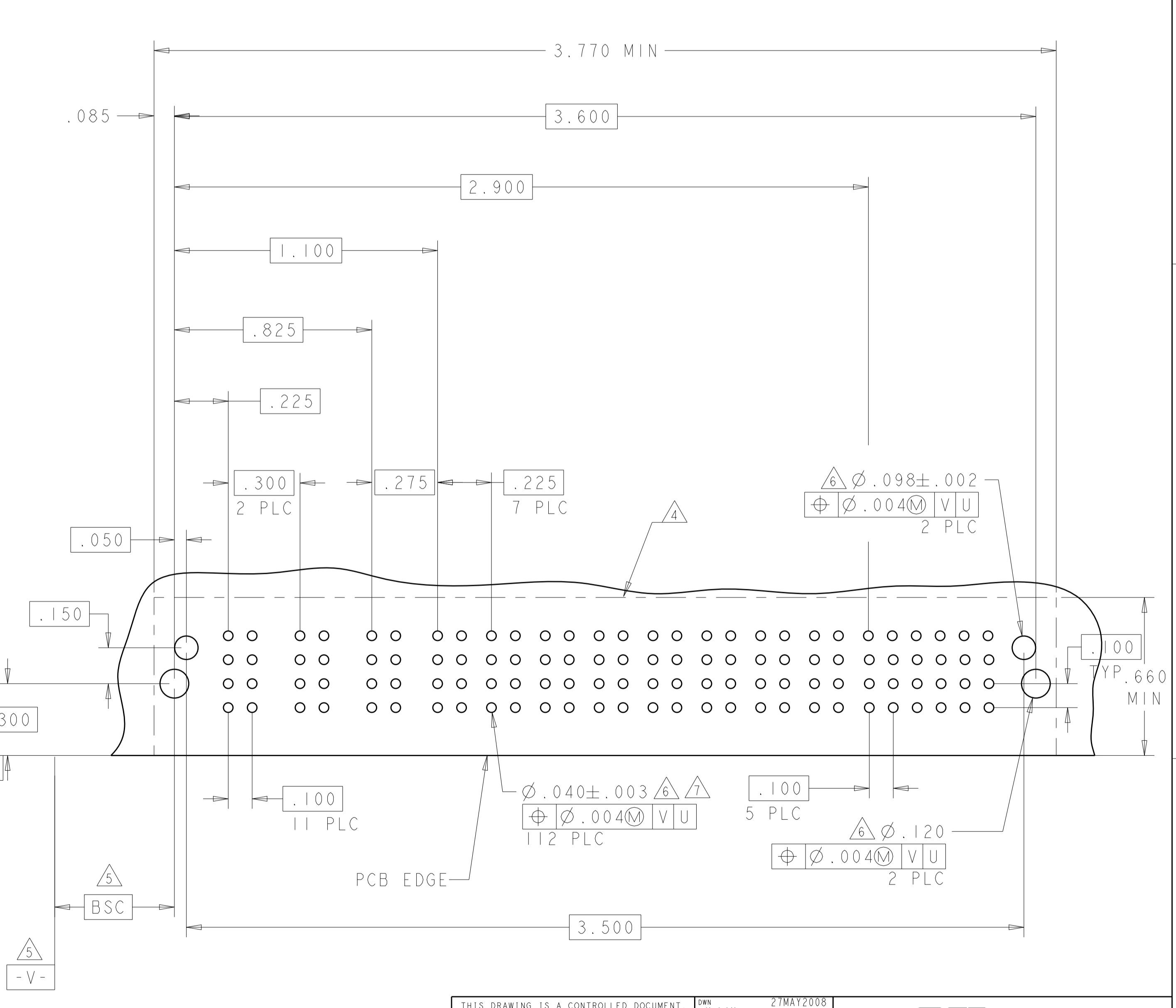
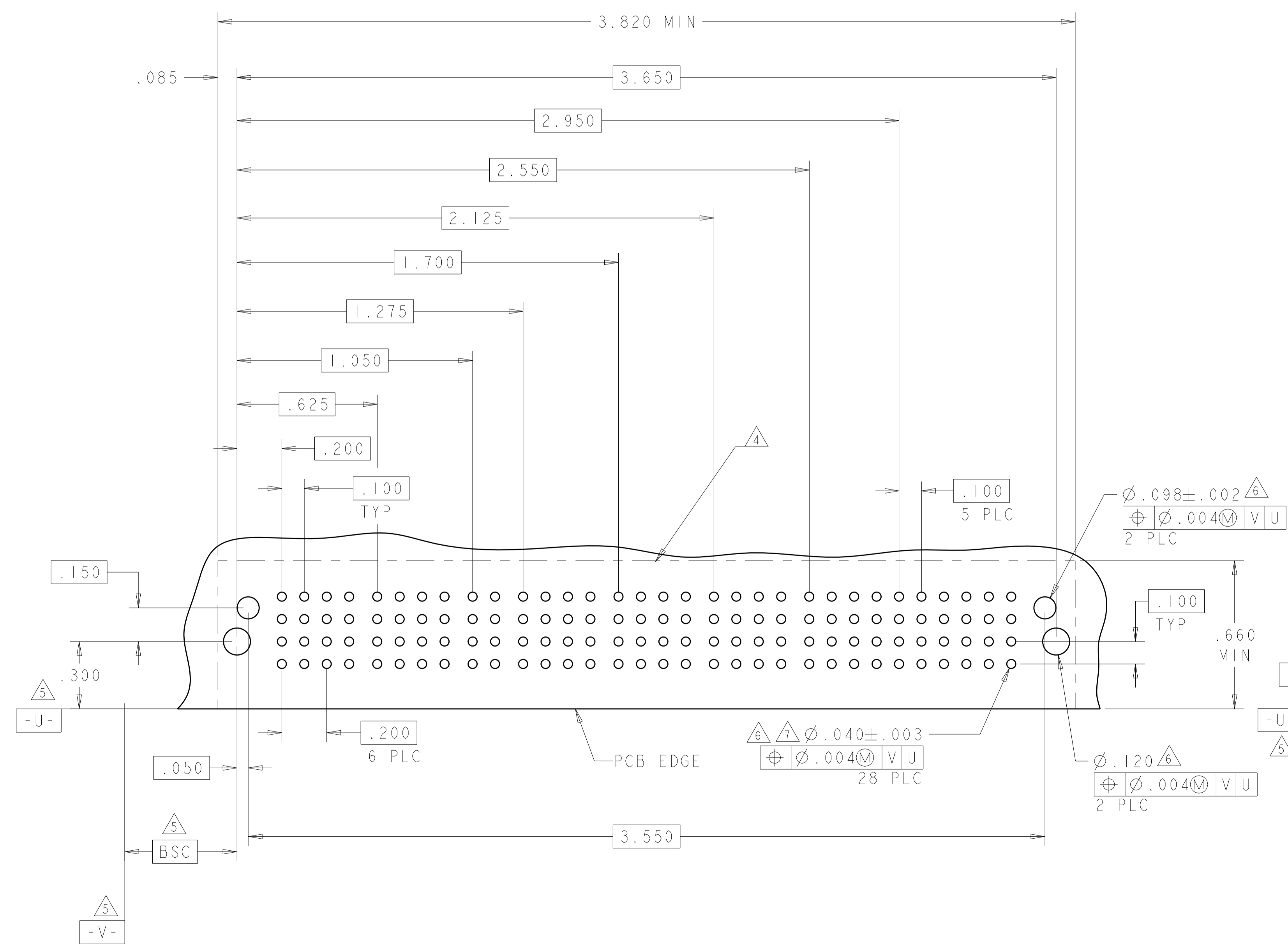
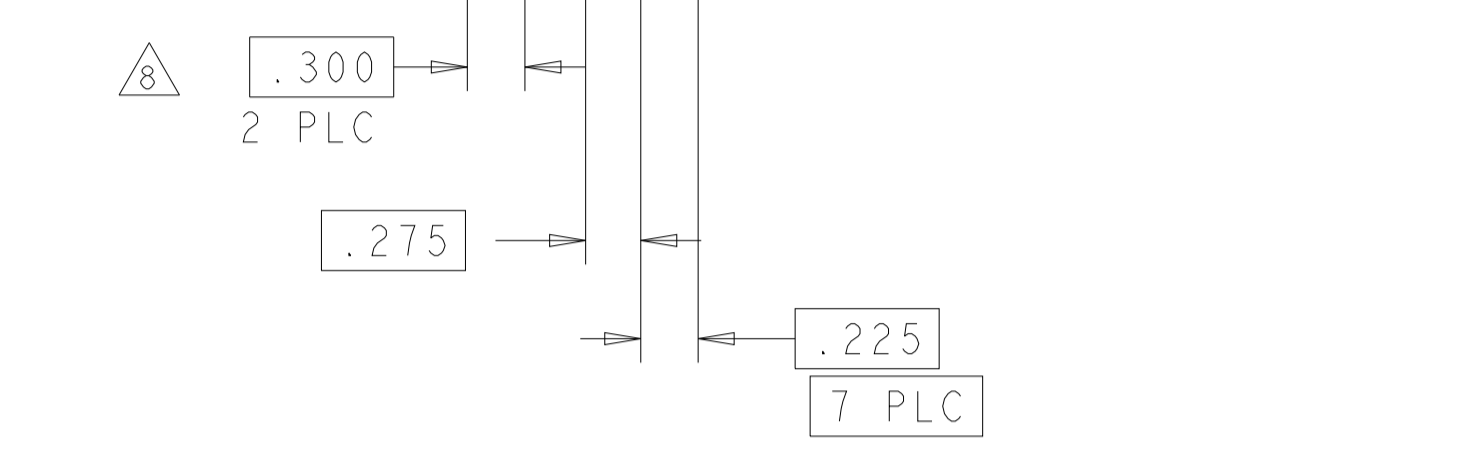
THIS DRAWING IS A CONTROLLED DOCUMENT.		DWN: H.LIU 27MAY2008	TE Connectivity
DIMENSIONS: INCHES		CHK: S.ZHAO 27MAY2008	
		APVD: S.ZHAO	NAME: R/A HEADER WITH SHORT GUIDES AND LP CONTACTS ASSEMBLY
TOLERANCES UNLESS OTHERWISE SPECIFIED:		PRODUCT SPEC: 108-2292	APPLICATION SPEC: MULTI-BEAM XLE
0 PLC ±. 1 PLC ±.01 2 PLC ±.01 3 PLC ±.005 4 PLC ±.0020 ANGLES ±.7°		SIZE: 114-13251	RESTRICTED TO: -
MATERIAL: FINISH:		WEIGHT: -	SCALE: 4:1
CUSTOMER DRAWING		SIZE: A100779C=6450832	SHEET 9 OF 24

LOC	DIST	REVISIONS			
P	LTM	DESCRIPTION	DATE	OWN	APVD
-	-	SEE SHEET 1	-	-	-

PART NUMBER	ROWS	POWER											SIGNAL						
		P1	P2	P3	P4	P5	P6	P7	P8	P9	P10	P11	P12	P13	1	2	3	4	5
1-6450832-6	D C B A	TM	TM	TM	TM	TM	TM	TM	TM	TM	TM	TM	TM	E	E	J	J	E	E
														K	F	K	K	K	K
														N	G	N	G	G	G
														S	S	S	S	S	S



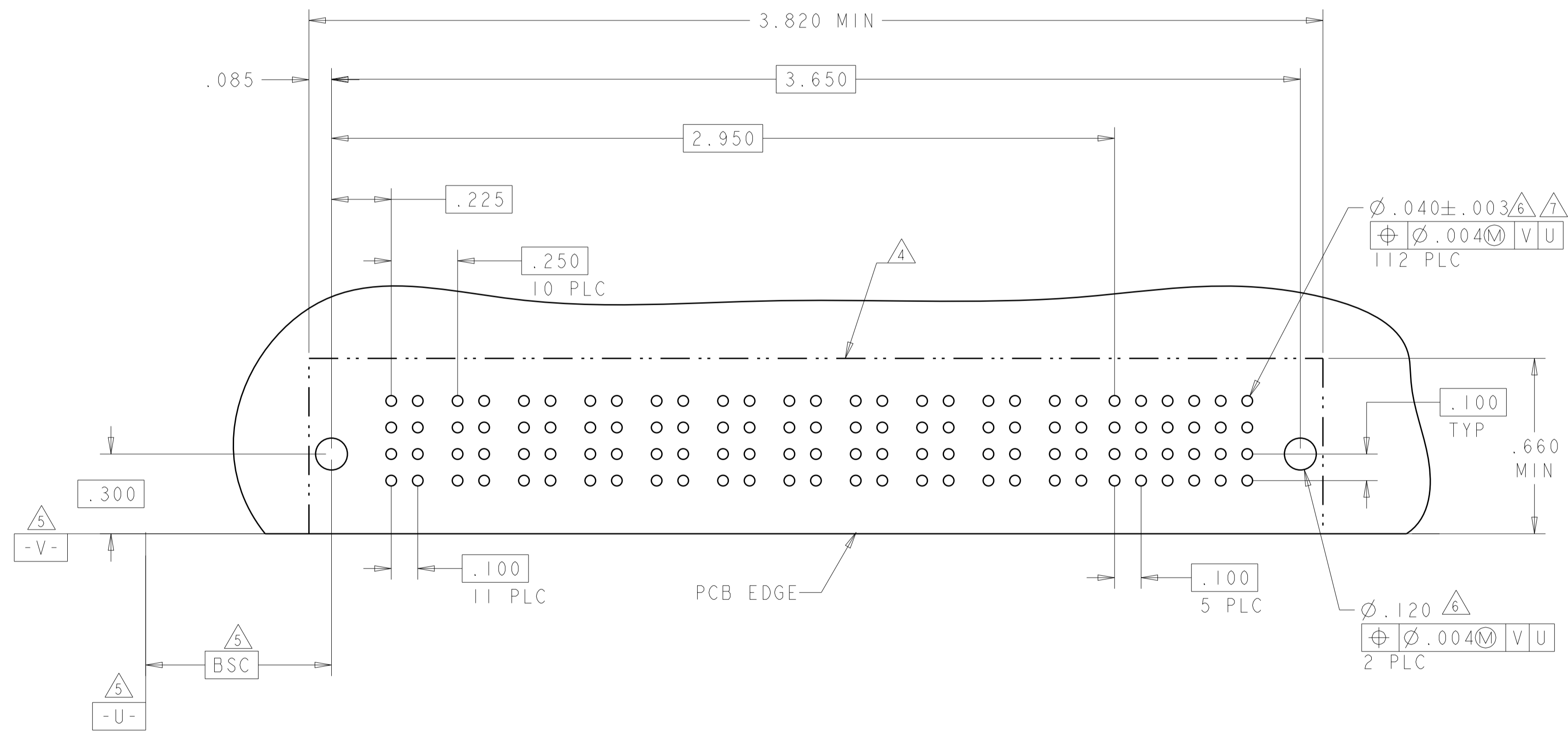
PART NUMBER	ROWS	POWER											SIGNAL					
		P1	P2	P3	P4	P5	P6	P7	P8	P9	P10	P11	1	2	3	4	5	6
1-6450832-7	D C B A	TM	TM	TM	TM	TM	TM	TM	TM	TM	TM	TM	E	E	J	J	E	E
													K	F	K	K	K	K
													N	G	N	G	G	G
													S	S	S	S	S	S



THIS DRAWING IS A CONTROLLED DOCUMENT.

DIMENSIONS:	TOLERANCES UNLESS OTHERWISE SPECIFIED:	OWN	27MAY2008
INCHES	0 PLC ±.01	CHK	S. ZHAO
	1 PLC ±.01	APVD	S. ZHAO
	3 PLC ±.005	NAME	R/A HEADER WITH SHORT GUIDES AND LP CONTACTS ASSEMBLY
	4 PLC ±.0020	PRODUCT SPEC	108-2292
	ANGLES ±.0020	APPLICATION SPEC	114-13251
MATERIAL	FINISH	SIZE	CAGE CODE DRAWING NO
		RESTRICTED TO	A100779C=6450832
		CUSTOMER DRAWING	SCALE 4:1 SHEET 11 OF 24 REV K6

PART NUMBER	ROWS	POWER										SIGNAL					
		P1	P2	P3	P4	P5	P6	P7	P8	P9	P10	P11	1	2	3	4	5
1-6450832-9	D											J	E	J	J	J	E
	C											K	K	F	F	K	F
	B	TM	TM	TM	TM	TM	TM	TM	TM	TM	TM	G	N	G	G	N	G
	A											S	S	S	S	H	H
11P + 24S																	



LOC	DIST	REV	DATE	BY	APPV

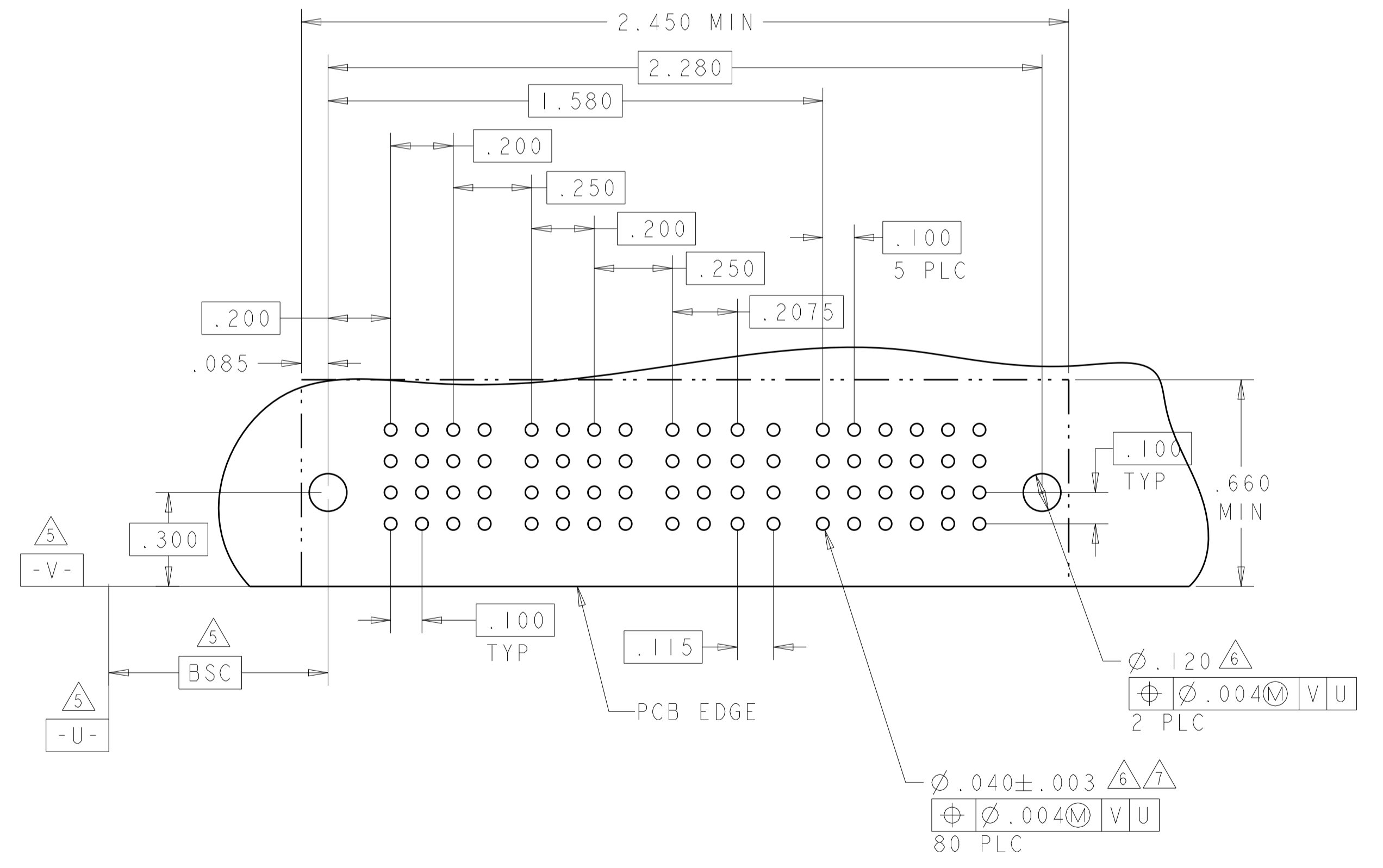
PART NUMBER	ROWS	POWER						SIGNAL						
		P1	P2	P3	P4	P5	LP1	LP2	1	2	3	4	5	6
2-6450832-0	D								J	F	J	J	J	J
	C								K	FK	K	K	F	F
	B	TM	TM	TM	TM	TM	LM	LMF	N	FN	N	N	FN	FN
	A								S	FS	H	S	H	H
5P + 2LP + 24S														

Dimensions: .200, .250, .200, .115, .1575, .250

(62)

PART NUMBER	ROWS	POWER						SIGNAL						
		P1	P2	P3	P4	P5	LP1	LP2	1	2	3	4	5	6
2-6450832-5	D								J	F	J	J	J	J
	C								K	FK	K	K	F	F
	B	TM	TM	TM	TM	TM	LMF	LMF	N	FN	N	N	FN	FN
	A								S	FS	H	S	H	H
5P + 2LP + 24S														

Dimensions: .200, .250, .200, .115, .1575, .250



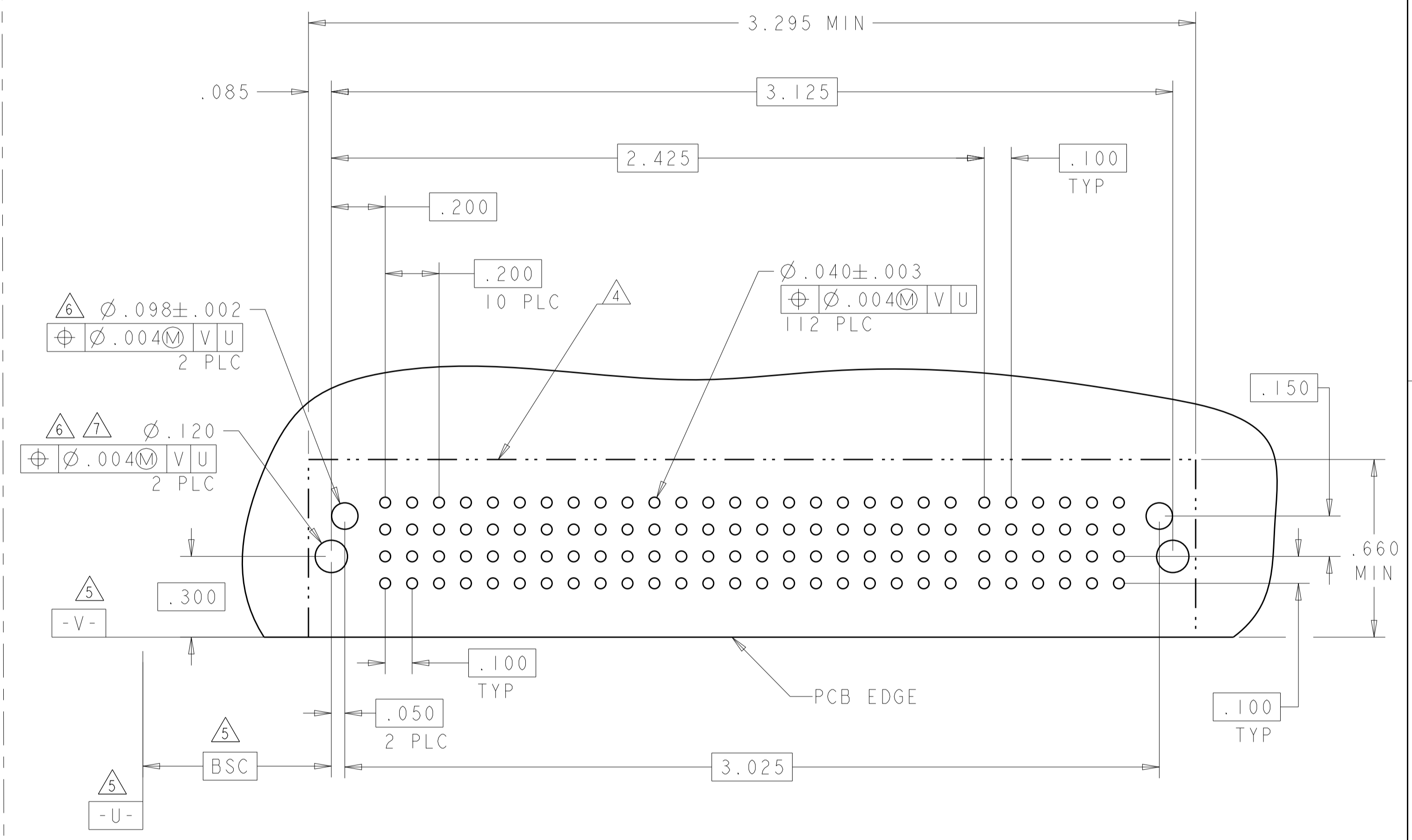
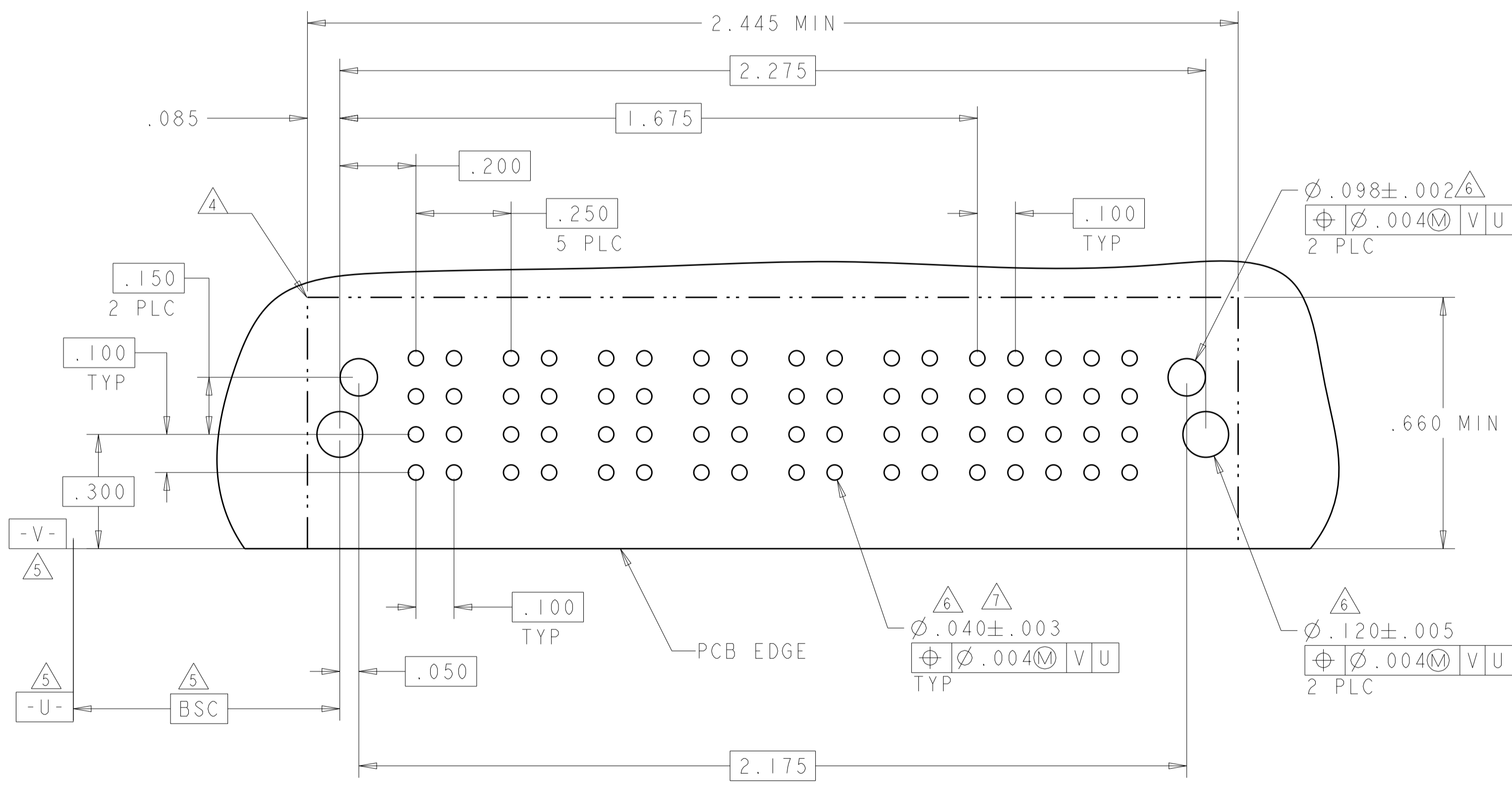
2-6450830-0 AND 2-6450830-5 PCB LAYOUT

THIS DRAWING IS A CONTROLLED DOCUMENT.		OWN: H. LIU 27MAY2008		TE Connectivity
DIMENSIONS: INCHES		CHK: S. ZHAO 27MAY2008		NAME: R/A HEADER WITH SHORT GUIDES AND LP CONTACTS ASSEMBLY
TOLERANCES UNLESS OTHERWISE SPECIFIED:		APVD: S. ZHAO	PRODUCT SPEC: 108-2292	
0 PLC ±.01		PRODUCT SPEC: 114-13251	APPLICATION SPEC: 114-13251	
1 PLC ±.01		SIZE: 114-13251	CAGE CODE: 6450832	
2 PLC ±.01		WEIGHT: -	CUSTOMER DRAWING	
3 PLC ±.005		SCALE: 4:1	SHEET 12 OF 24	
4 PLC ±.002		REV: K6		
ANGLES ±.020				
FINISH: -				

LOC		DIST		REVISIONS			
P	LTN	DESCRIPTION	DATE	DWN	APVD		
-	-	SEE SHEET 1	-	-	-		

PART NUMBER	ROWS	POWER						SIGNAL				
		P1	P2	P3	P4	P5	P6	1	2	3	4	5
2-6450832-2	D C B A	TM	TM	TM	TM	TM	J	J	J	J	J	
							K	K	K	K	K	
							N	G	N	N	N	
							S	S	S	S	S	
6P + 20S												

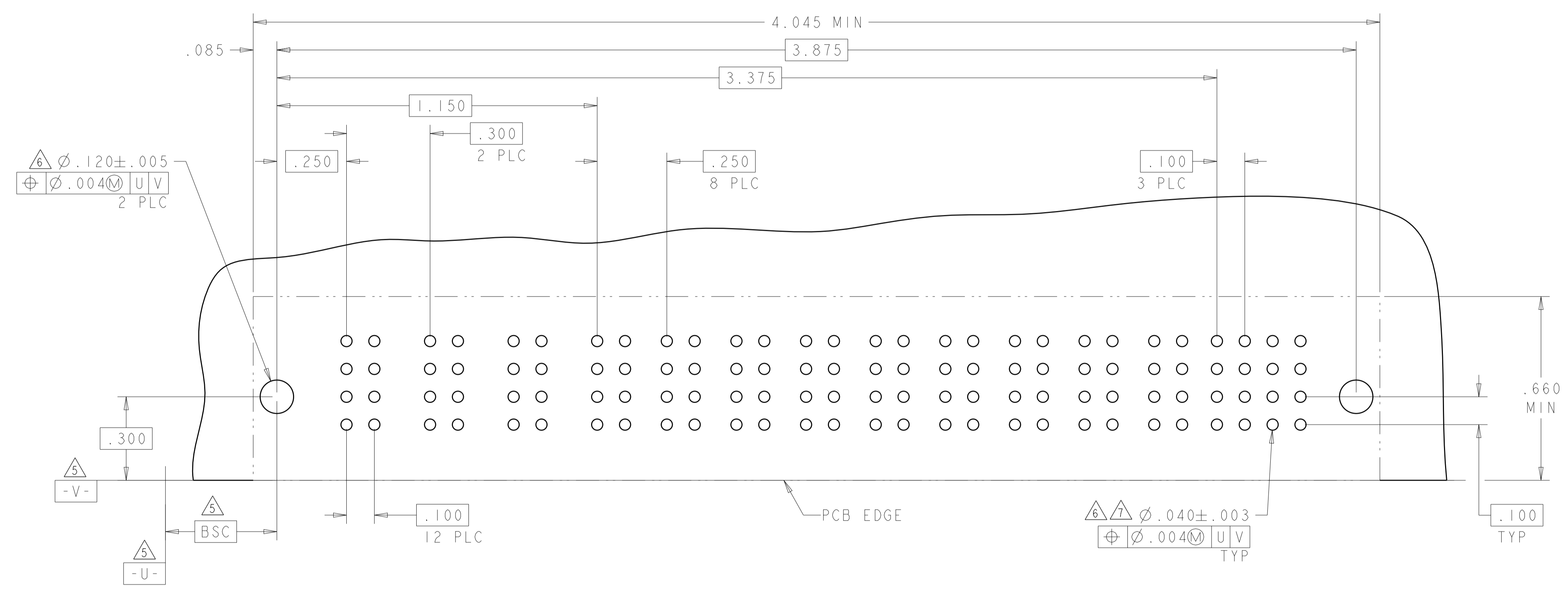
PART NUMBER	ROWS	POWER										SIGNAL						
		P1	P2	P3	P4	P5	P6	P7	P8	P9	P10	P11	1	2	3	4	5	6
2-6450832-8	D C B A	TM	TM	TM	TM	TM	TM	TM	TM	TM	TM	J	J	J	J	J	E	
												K	K	K	K	K	F	
												N	N	N	N	N	N	
11HDP + 24S																		



THIS DRAWING IS A CONTROLLED DOCUMENT.		DWN: H.LIU 27MAY2008	 TE Connectivity
DIMENSIONS: INCHES		CHK: S.ZHAO 27MAY2008	
TOLERANCES UNLESS OTHERWISE SPECIFIED:		APVD: S.ZHAO	NAME: R/A HEADER WITH SHORT GUIDES AND LP CONTACTS ASSEMBLY
0 PLC ± .01		PRODUCT SPEC: 108-2292	MULTI-BEAM XLE
1 PLC ± .01		APPLICATION SPEC: 114-13251	SIZE: A100779
2 PLC ± .005		WEIGHT: -	CAGE CODE: C=6450832
3 PLC ± .002		CUSTOMER DRAWING	SCALE: 4:1
4 PLC ± .002		RESTRICTED TO: -	SHEET: 13 OF 24
ANGLES ± .020			REV: K6

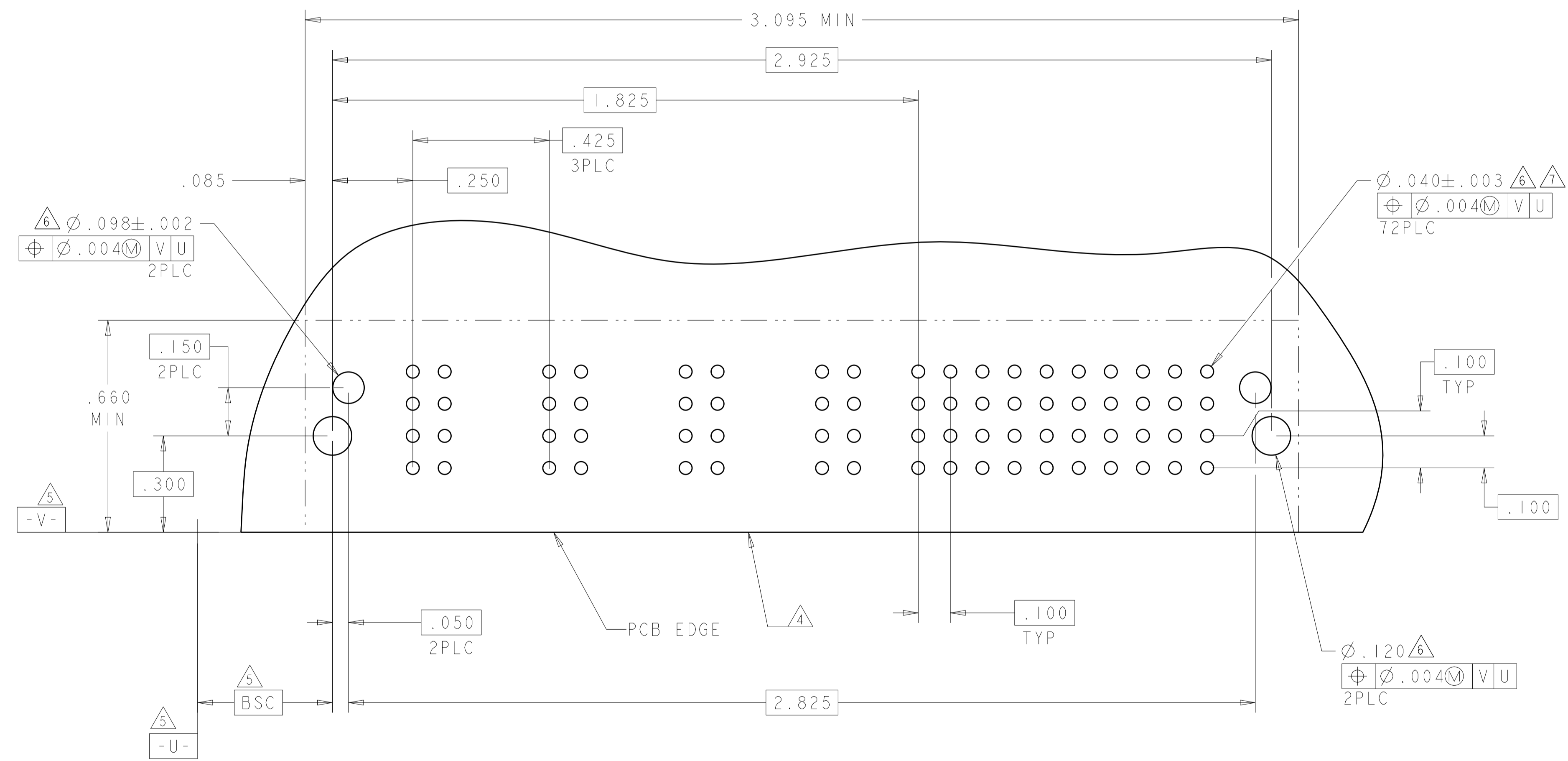
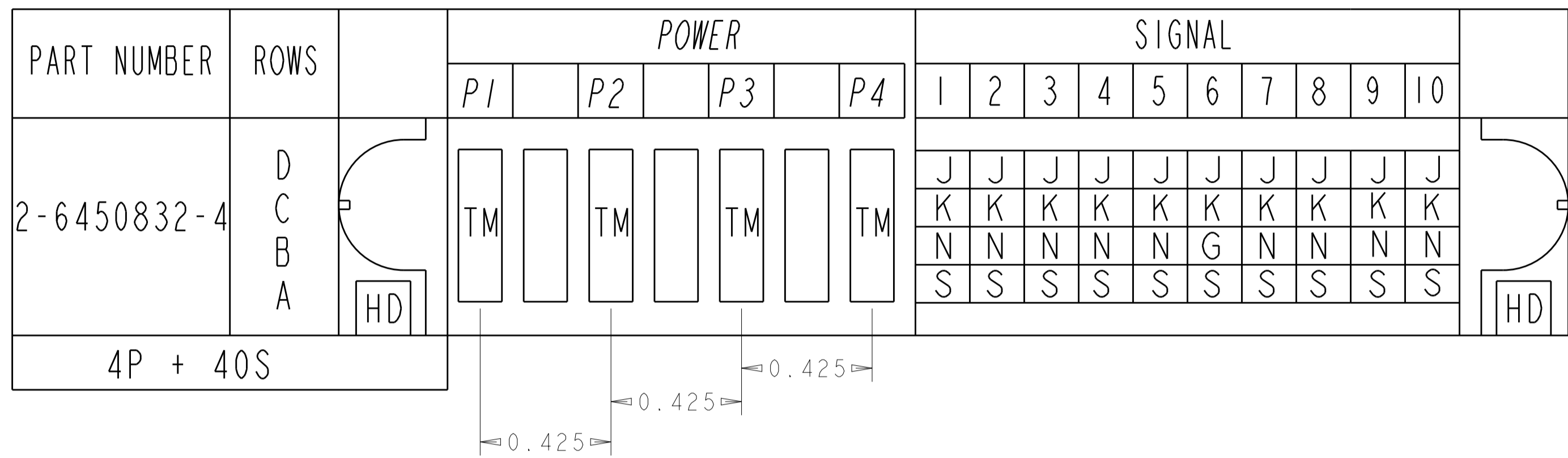
LOC		DIST		REVISIONS			
P	LTN	DESCRIPTION	DATE	DMN	APVD		
-		SEE SHEET 1	-	-	-		

PART NUMBER	ROWS	POWER												SIGNAL			
		P1	P2	P3	P4	P5	P6	P7	P8	P9	P10	P11	P12	1	2	3	4
2-6450832-3	D	PS	PS	PS	PS	PS	PS	PS	PS	PS	PS	PS	J	J	J	J	
	C												K	K	K	K	
	B												N	N	N	N	
	A												S	S	S	H	
3ACP + 9P + 16S																	



THIS DRAWING IS A CONTROLLED DOCUMENT.		DMN	H.LIU	27MAY2008	
		CHK	S.ZHAO	27MAY2008	
DIMENSIONS:		TOLERANCES UNLESS OTHERWISE SPECIFIED:		NAME	
INCHES		0 PLC ± 1 PLC ±.01 2 PLC ±.01 3 PLC ±.005 4 PLC ±.0020 ANGLES ±.2°		R/A HEADER WITH SHORT GUIDES AND LP CONTACTS ASSEMBLY MULTI-BEAM XLE	
MATERIAL		FINISH		RESTRICTED TO	
				A100779C=6450832	
		CUSTOMER DRAWING		SCALE 4:1 SHEET 14 OF 24 REV K6	

LOC	DIST	REVISIONS			
P	LTN	DESCRIPTION	DATE	DMN	APVD
-	-	SEE SHEET 1	-	-	-



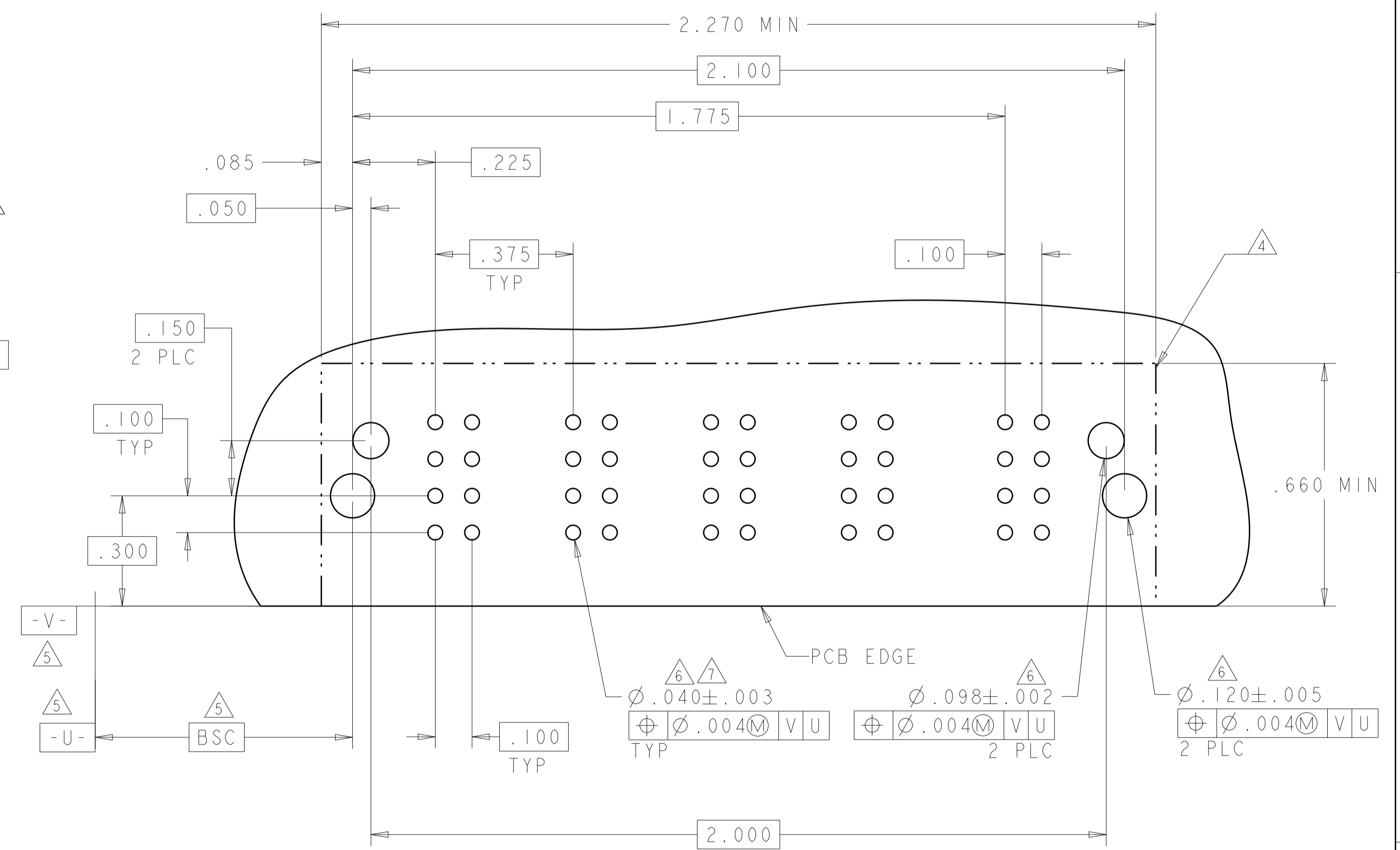
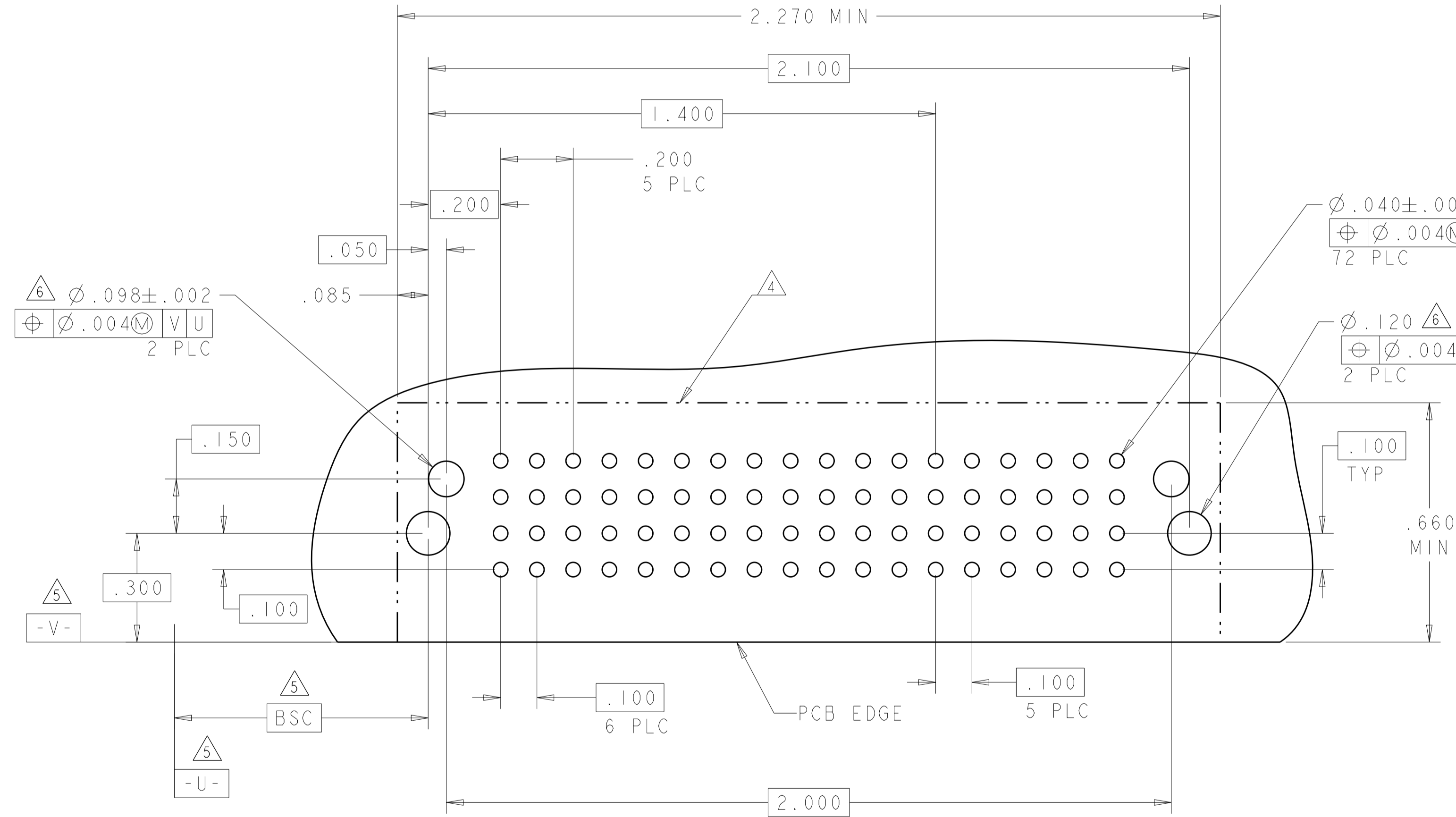
RECOMMENDED PCB LAYOUT BY TE

THIS DRAWING IS A CONTROLLED DOCUMENT.		DMN: H.LIU 27MAY2008	
DIMENSIONS: INCHES		CHK: S.ZHAO 27MAY2008	
TOLERANCES UNLESS OTHERWISE SPECIFIED:		APVD: S.ZHAO	NAME: R/A HEADER WITH SHORT GUIDES AND LP CONTACTS ASSEMBLY MULTI-BEAM XLE
0 PLC ±.01		PRODUCT SPEC: 108-2292	SIZE: A100779
1 PLC ±.01		APPLICATION SPEC: 114-13251	CAGE CODE: C=6450832
2 PLC ±.01		WEIGHT: -	RESTRICTED TO: -
3 PLC ±.01		CUSTOMER DRAWING	SCALE: 4:1
4 PLC ±.005		SCALE: 4:1	SHEET 15 OF 24
ANGLES ±.020		SCALE: 4:1	REV: K6
FINISH: -		SCALE: 4:1	REV: K6

LOC	DIST	REVISIONS			
P	LTN	DESCRIPTION	DATE	DMN	APVD
-	-	SEE SHEET 1	-	-	-

PART NUMBER	ROWS	POWER						SIGNAL					
		P1	P2	P3	P4	P5	P6	1	2	3	4	5	6
2-6450832-6	D	TM	TM	TM	TM	TM	TM	J	J	J	J	J	J
	C							K	K	K	K	K	K
	B							N	N	N	N	N	N
	A							S	S	S	S	S	S
6HDP + 24S		HD		HD									

PART NUMBER	ROWS	POWER				SIGNAL	
		P1	P2	P3	P4	1	2
3-6450832-0	D	TM	TM	TM	TM	J	E
	C					K	F
	B					N	G
	A					S	H
4ACP + 8S		HD		HD			



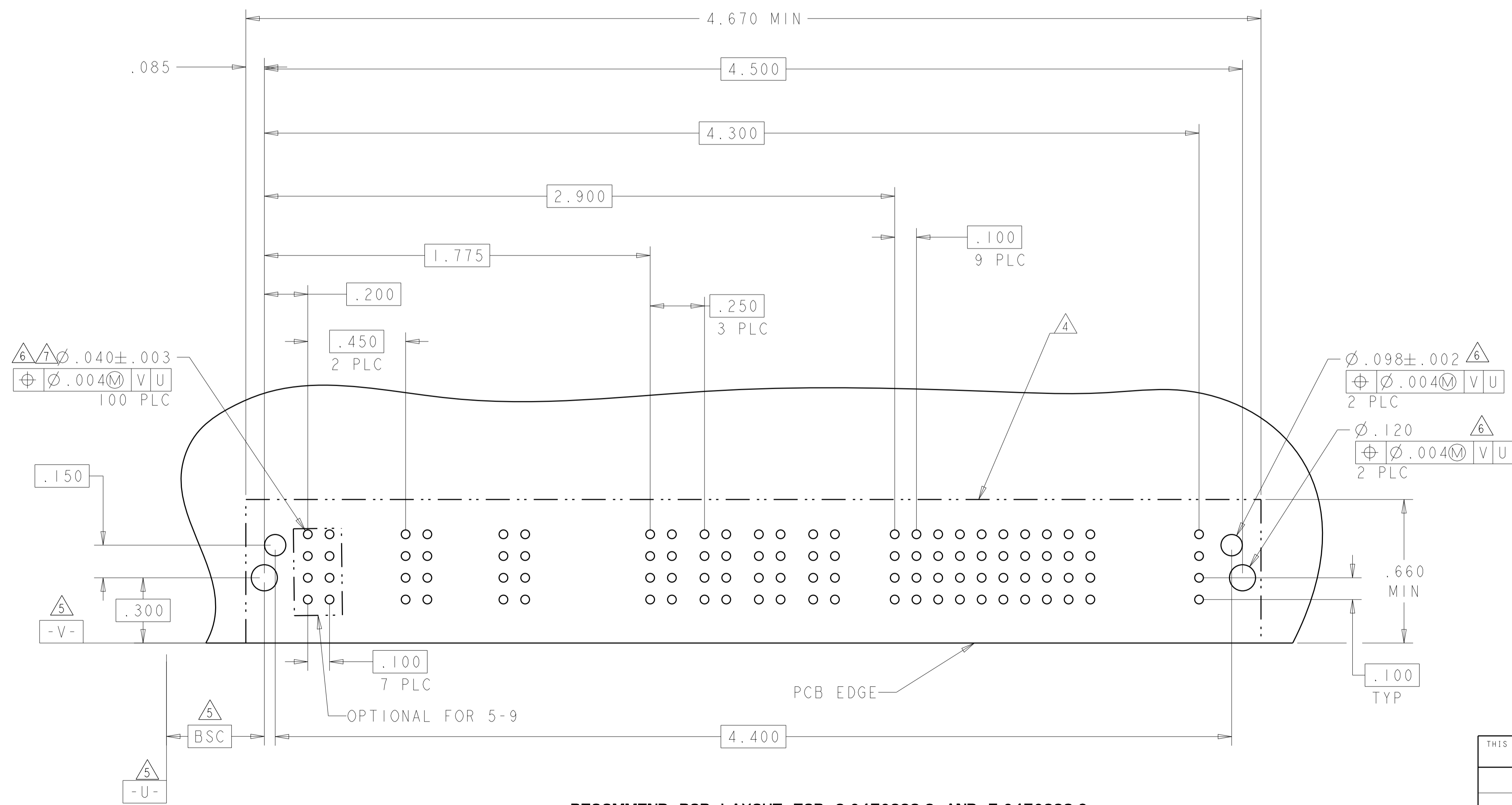
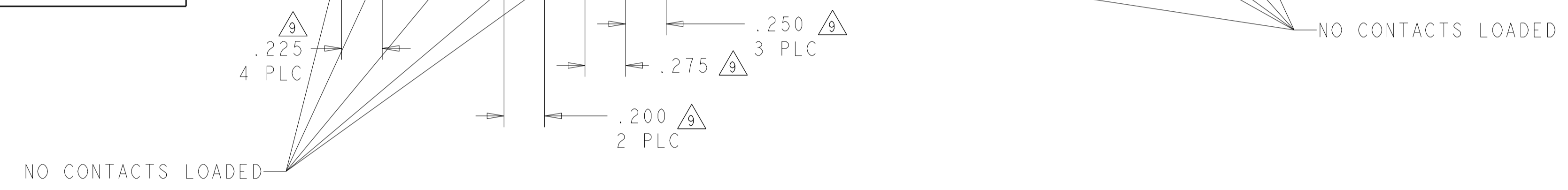
THIS DRAWING IS A CONTROLLED DOCUMENT.		DMN: H.LIU 27MAY2008	TE Connectivity
DIMENSIONS: INCHES		CHK: S.ZHAO 27MAY2008	
TOLERANCES UNLESS OTHERWISE SPECIFIED:		APVD: S.ZHAO	NAME: R/A HEADER WITH SHORT GUIDES AND LP CONTACTS ASSEMBLY MULTI-BEAM XLE
0 PLC ± 2 PLC ±.01 3 PLC ±.05 4 PLC ±.0020 ANGLES ±.020		PRODUCT SPEC: 108-2292	SIZE: CAGE CODE DRAWING NO
MATERIAL FINISH		APPLICATION SPEC: 114-13251	RESTRICTED TO: A100779C=6450832
		WEIGHT	SCALE: 4:1 SHEET 16 OF 24 REV: K6
		CUSTOMER DRAWING	

LOC	DIST	REVISIONS			
P	LTN	DESCRIPTION	DATE	DMN	APVD
-	-	SEE SHEET 1	-	-	-

ASSY PART NUMBER	ROWS	POWER										SIGNAL																	
		P1	P2	P3	P4	P5	P6	P7	P8	P9	P10	P11	1	2	3	4	5	6	7	8	9	10	11	12	13	14	15	16	
3-6450832-3	D C B A	TM	TM	TM	TM	TM	TM	TM	TM	TM	TM	J	J	J	J	J	J	J	J	J	J	J	J	J	J	J	J	J	J
												N	N	N	N	N	N	N	N	N	N	N	N	N	N	N	N	N	N
												S	S	S	S	S	S	S	S	S	S	S	S	S	S	S	S	S	S



ASSY PART NUMBER	ROWS	POWER										SIGNAL																	
		P1	P2	P3	P4	P5	P6	P7	P8	P9	P10	P11	1	2	3	4	5	6	7	8	9	10	11	12	13	14	15	16	
5-6450832-9	D C B A	TM	TM	TM	TM	TM	TM	TM	TM	TM	TM	J	J	J	J	J	J	J	J	J	J	J	J	J	J	J	J	J	J
												N	N	N	N	N	N	N	N	N	N	N	N	N	N	N	N	N	
												S	S	S	S	S	S	S	S	S	S	S	S	S	S	S	S	S	S



RECOMMEND PCB LAYOUT FOR 3-6450332-3 AND 5-6450832-9

THIS DRAWING IS A CONTROLLED DOCUMENT.		DMN: H.LIU 27MAY2008	TE Connectivity
DIMENSIONS: INCHES		CHK: S.ZHAO 27MAY2008	
TOLERANCES UNLESS OTHERWISE SPECIFIED:		APVD: S.ZHAO	NAME: R/A HEADER WITH SHORT GUIDES AND LP CONTACTS ASSEMBLY MULTI-BEAM XLE
0 PLC ±. 1 PLC ±.01 2 PLC ±.01 3 PLC ±.005 4 PLC ±.0020 ANGLES ±.2°		PRODUCT SPEC: 108-2292	SIZE: A100779
MATERIAL: FINISH:		APPLICATION SPEC: 114-13251	DRAWING NO: C=6450832
		WEIGHT: -	RESTRICTED TO: -
		CUSTOMER DRAWING	SCALE: 4:1 SHEET 18 OF 24 REV: K6

LOC	DIST	REVISIONS			
P	LTN	DESCRIPTION	DATE	DMN	APVD
-	-	SEE SHEET 1	-	-	-

PART NUMBER	ROWS	POWER			SIGNAL
		P1	P2	P3	I
4-6450832-0	D	TM	TM	TM	J
	C				K
	B				N
	A				S

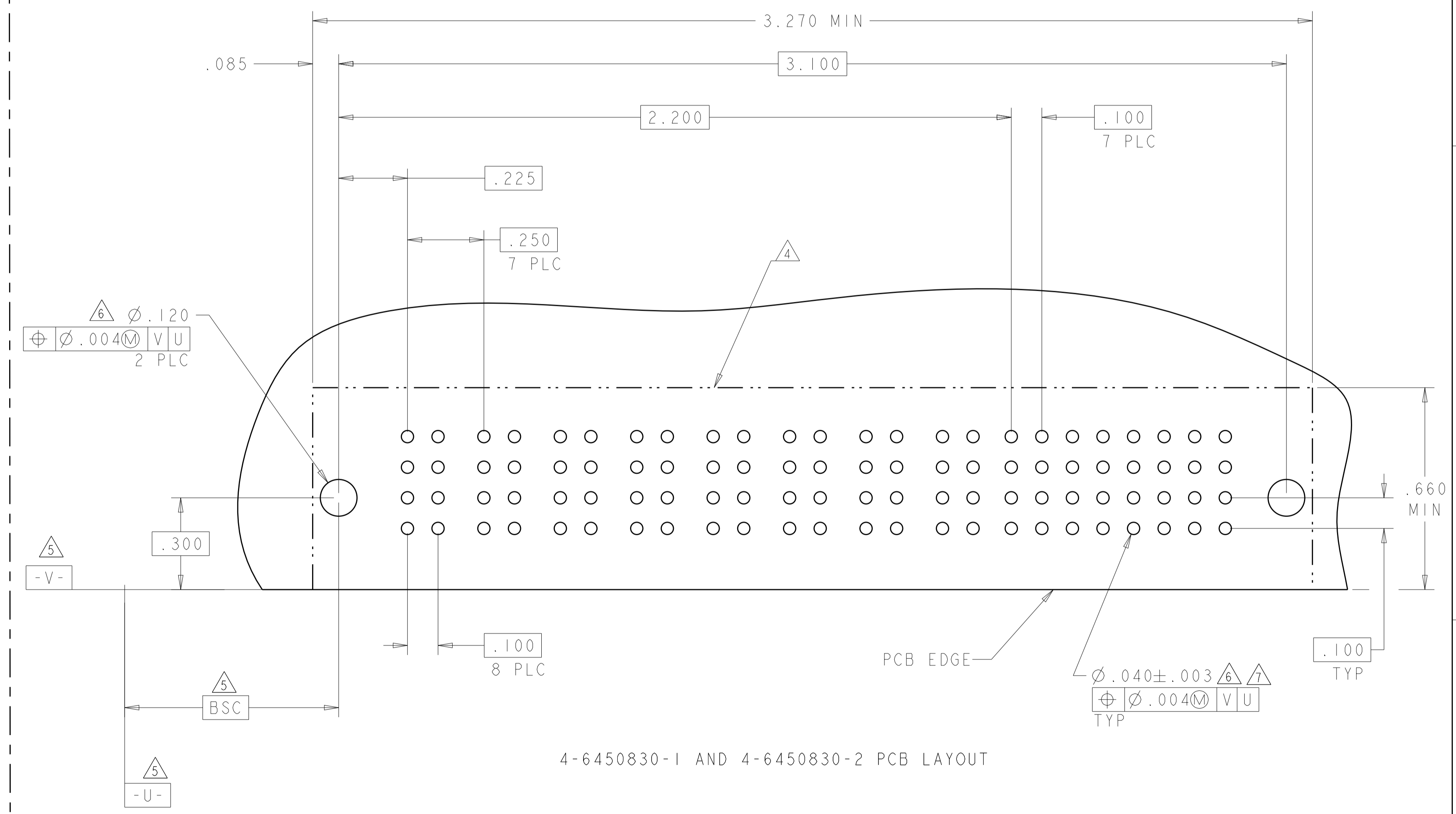
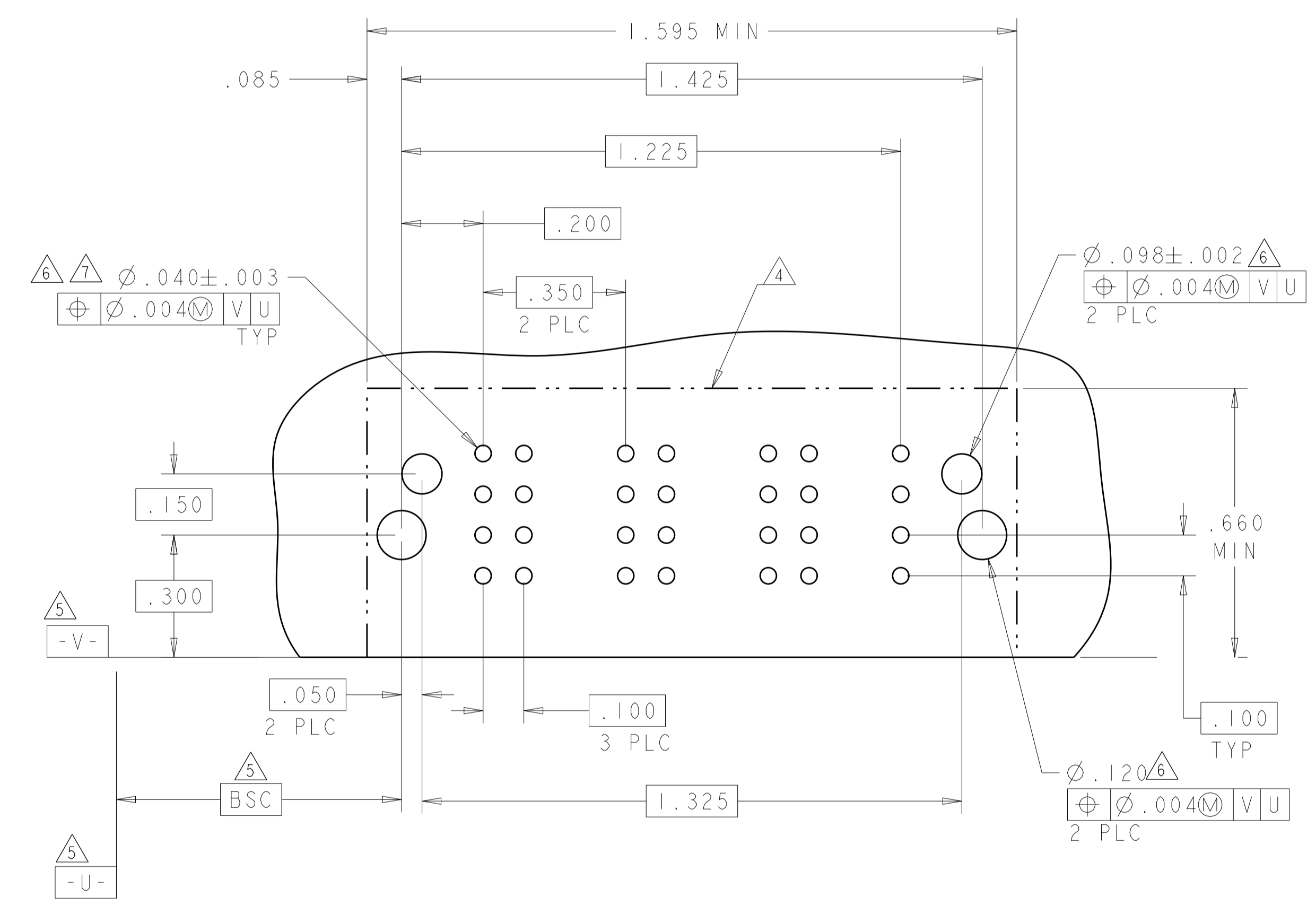
3P + 4S

PART NUMBER	ROWS	POWER								SIGNAL							
		P1	P2	P3	P4	P5	P6	P7	P8	1	2	3	4	5	6	7	8
4-6450832-1	D	TM	TM	TM	TM	TM	TM	TM	TM	J	J	J	J	J	J	J	J
	C									K	K	K	K	K	K	K	
	B									N	N	N	N	N	N	N	
	A									S	S	S	S	S	S	S	

8P + 32S

PART NUMBER	ROWS	POWER								SIGNAL							
		P1	P2	P3	P4	P5	P6	P7	P8	1	2	3	4	5	6	7	8
4-6450832-2	D	TM	TM	TM	TM	TM	TM	TM	TM	J	J	J	J	J	J	J	J
	C									K	K	K	F	K	K	K	
	B									N	N	N	N	N	N	N	
	A									S	S	S	S	S	S	S	

8P + 32S



4-6450830-1 AND 4-6450830-2 PCB LAYOUT

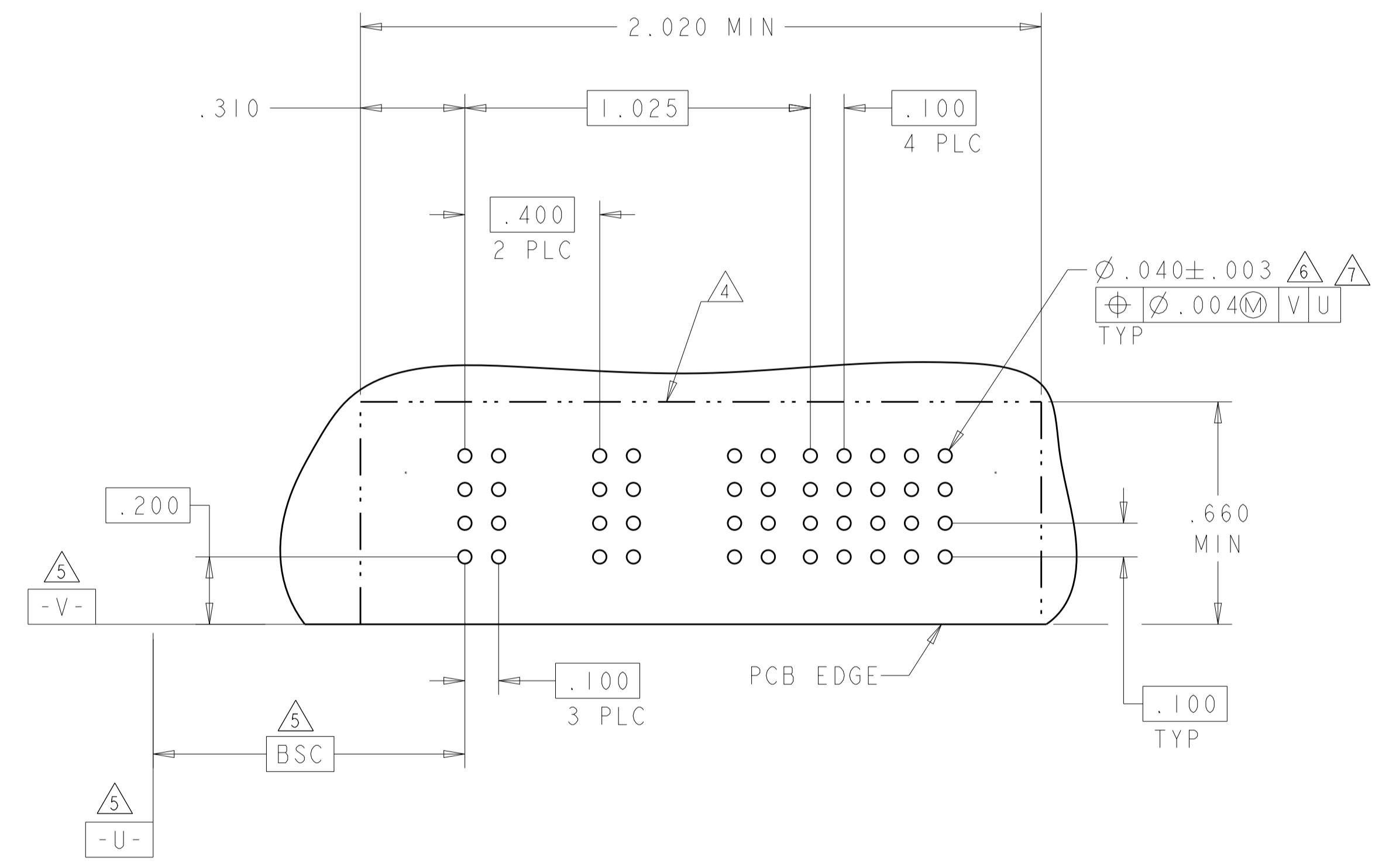
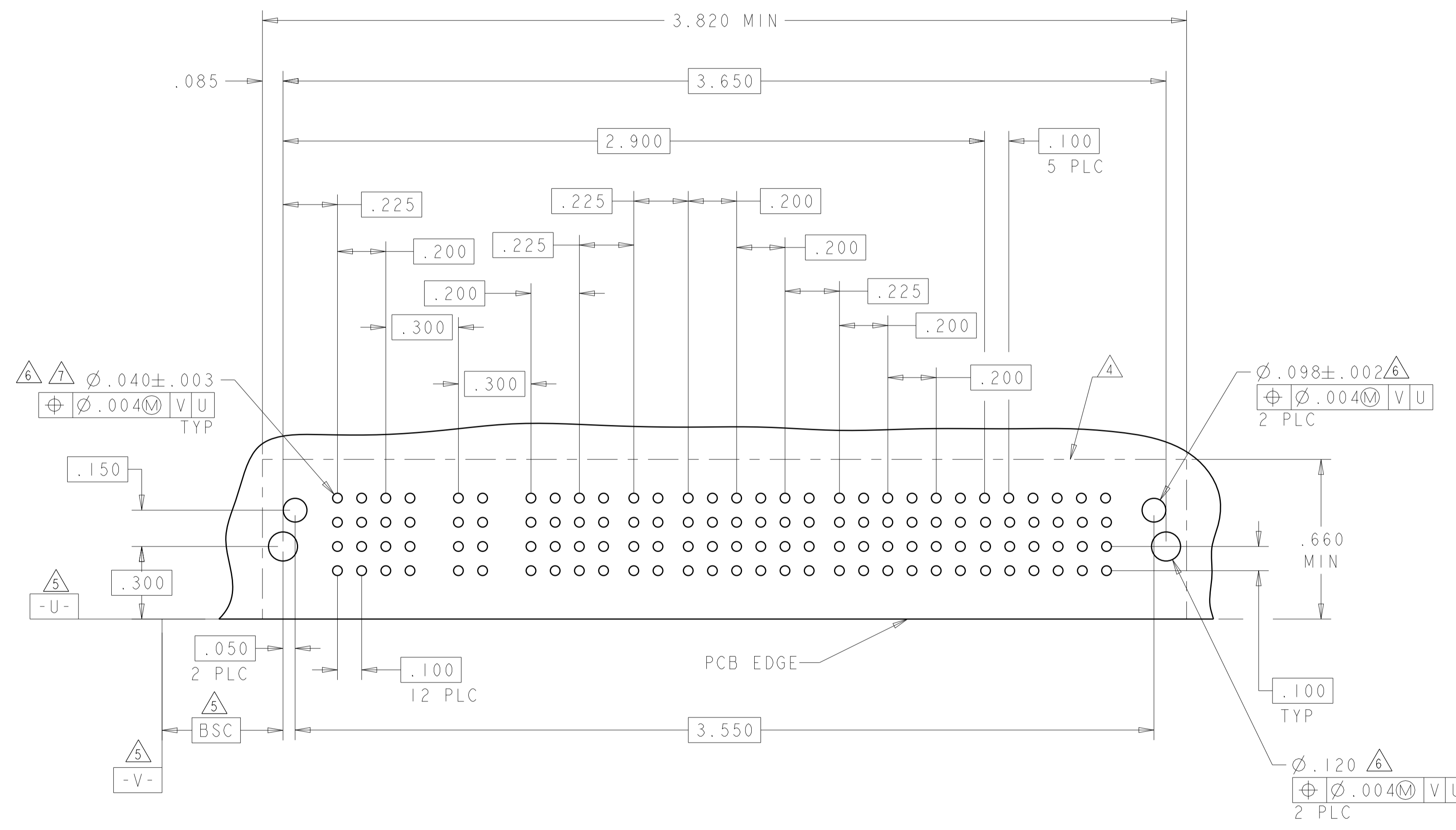
THIS DRAWING IS A CONTROLLED DOCUMENT.		DMN: H. LIU 27MAY2008	TE Connectivity
DIMENSIONS: INCHES		CHK: S. ZHAO 27MAY2008	
TOLERANCES UNLESS OTHERWISE SPECIFIED:		APVD: S. ZHAO	NAME: R/A HEADER WITH SHORT GUIDES AND LP CONTACTS ASSEMBLY
0 PLC ± .01	1 PLC ± .01	PRODUCT SPEC	108-2292
2 PLC ± .01	3 PLC ± .005	APPLICATION SPEC	114-13251
4 PLC ± .002	ANGLES ± .020	WEIGHT	A100779C=6450832
MATERIAL	FINISH	CUSTOMER DRAWING	SCALE: 4:1 SHEET 21 OF 24 REV: K6

LOC	DIST	REV	DATE	BY	APPV
		1			
		2			

PART NUMBER	ROWS	POWER												SIGNAL								
		P1	P2	P3	P4	P5	P6	P7	P8	P9	P10	P11	P12	1	2	3	4	5	6			
4-6450832-3	D																					
	C	TM	TM	TM	TM	TM	TM	TM	TM	TM	TM	TM	TM	E	E	J	J	E	E			
	B													K	F	K	K	K	K			
	A													N	G	N	G	G	G			
12P + 24S														S	S	S	S	S	S			

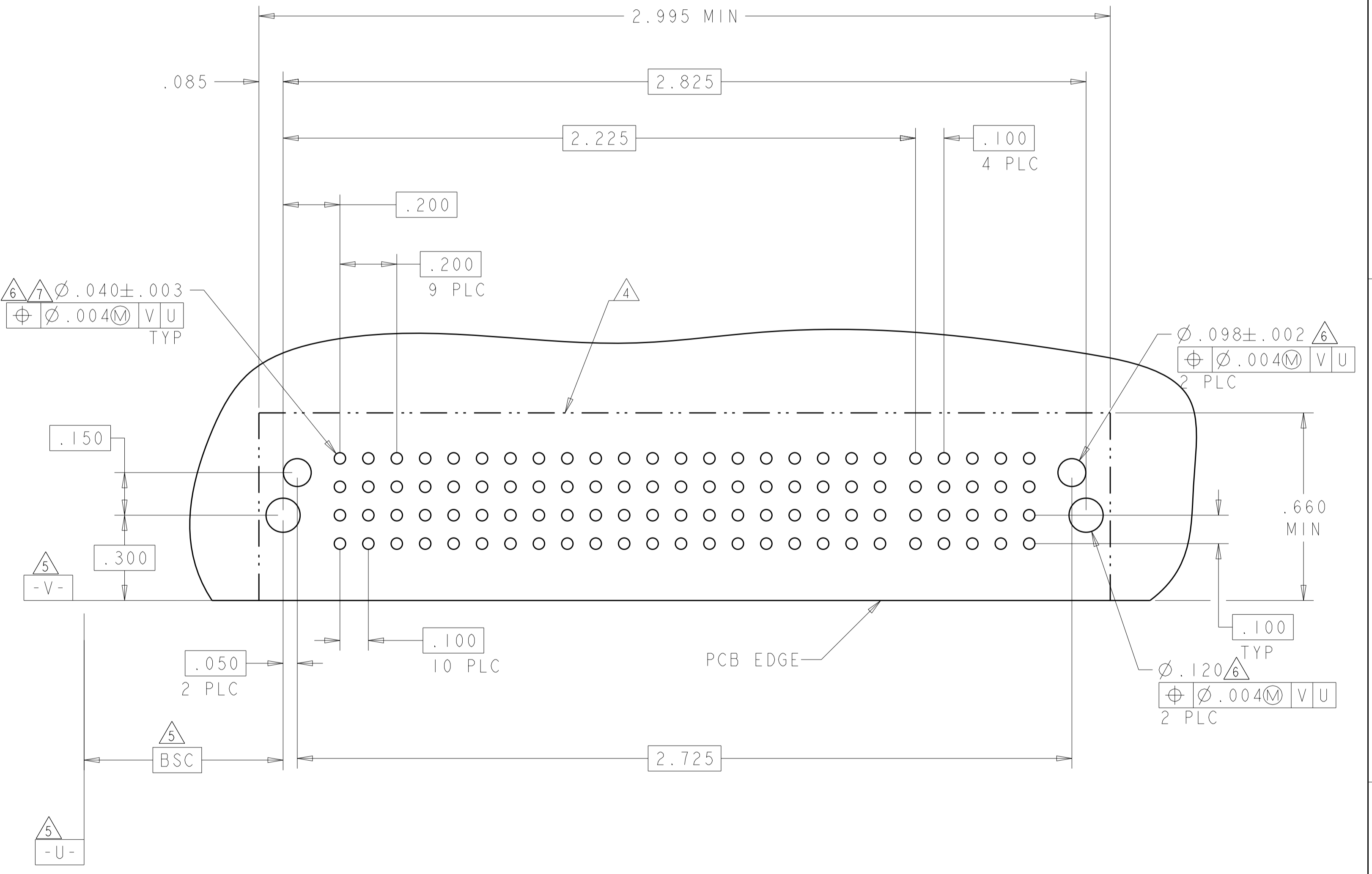
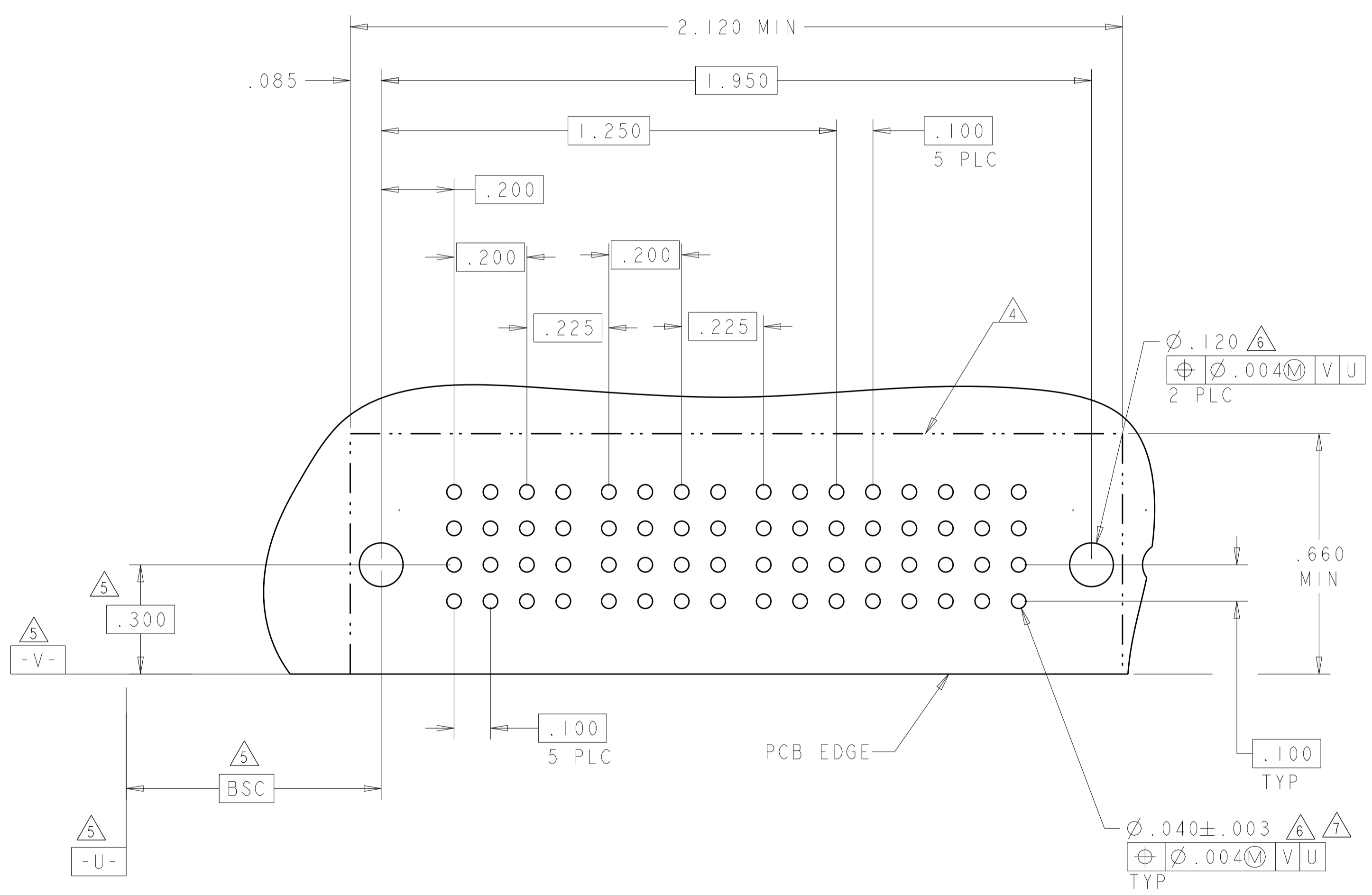
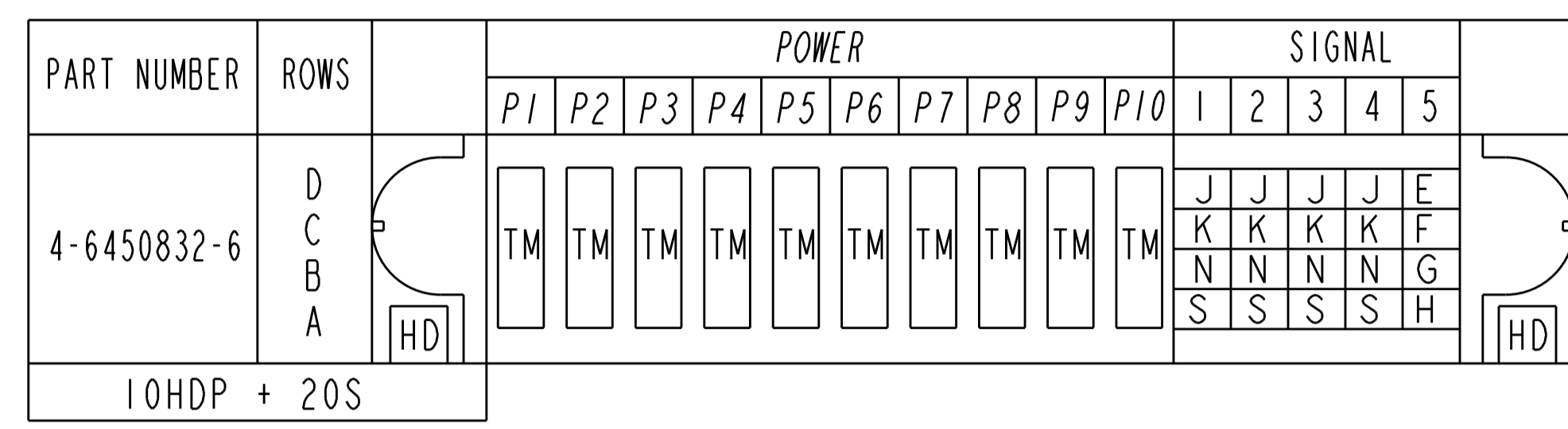
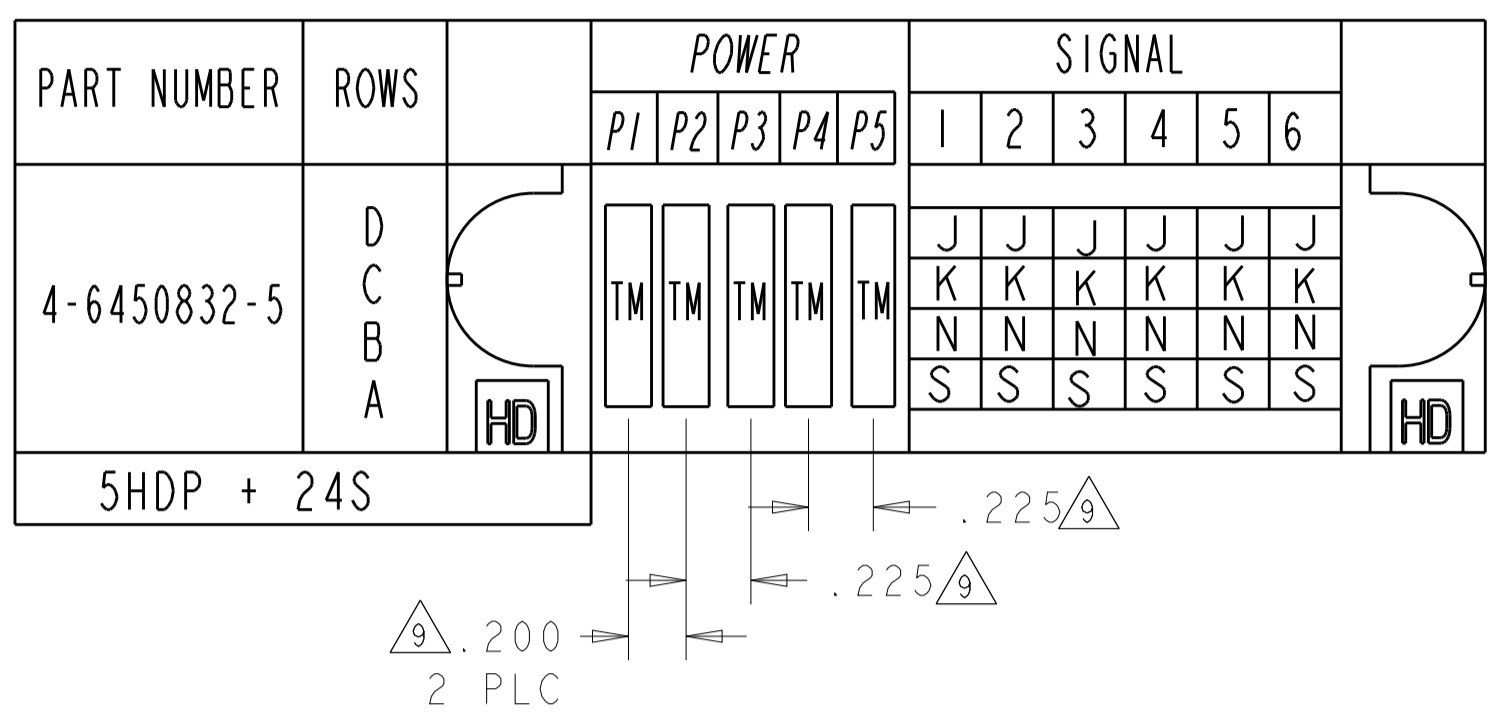
PART NUMBER	ROWS	POWER					SIGNAL															
		P1	P2	P3	P4	P5	1	2	3	4	5											
4-6450832-4	D																					
	C	TM									J	J	J	J	J							
	B										K	K	K	K	K							
	A										N	N	N	N	N							
5HDP + 20S											H	H	S	S	S							

NO CONTACTS LOADED



THIS DRAWING IS A CONTROLLED DOCUMENT.		OWN: H. LIU 27MAY2008		TE Connectivity
DIMENSIONS: INCHES		CHK: S. ZHAO 27MAY2008		NAME: R/A HEADER WITH SHORT GUIDES AND LP CONTACTS ASSEMBLY MULTI-BEAM XLE
TOLERANCES UNLESS OTHERWISE SPECIFIED:		APVD: S. ZHAO	PRODUCT SPEC: 108-2292	
0 PLC ±.01		APPLICATION SPEC: 114-13251	SIZE: A100779 C=6450832	
1 PLC ±.01		WEIGHT: -	RESTRICTED TO: -	
2 PLC ±.01		CUSTOMER DRAWING	SCALE: 4:1 SHEET 22 OF 24 REV: K6	
3 PLC ±.005				
4 PLC ±.002				
ANGLES: ±0.20°				
FINISH: -				

LOC	DIST	REVISIONS			
P	LTM	DESCRIPTION	DATE	DWN	APVD
-	-	SEE SHEET 1	-	-	-



THIS DRAWING IS A CONTROLLED DOCUMENT.

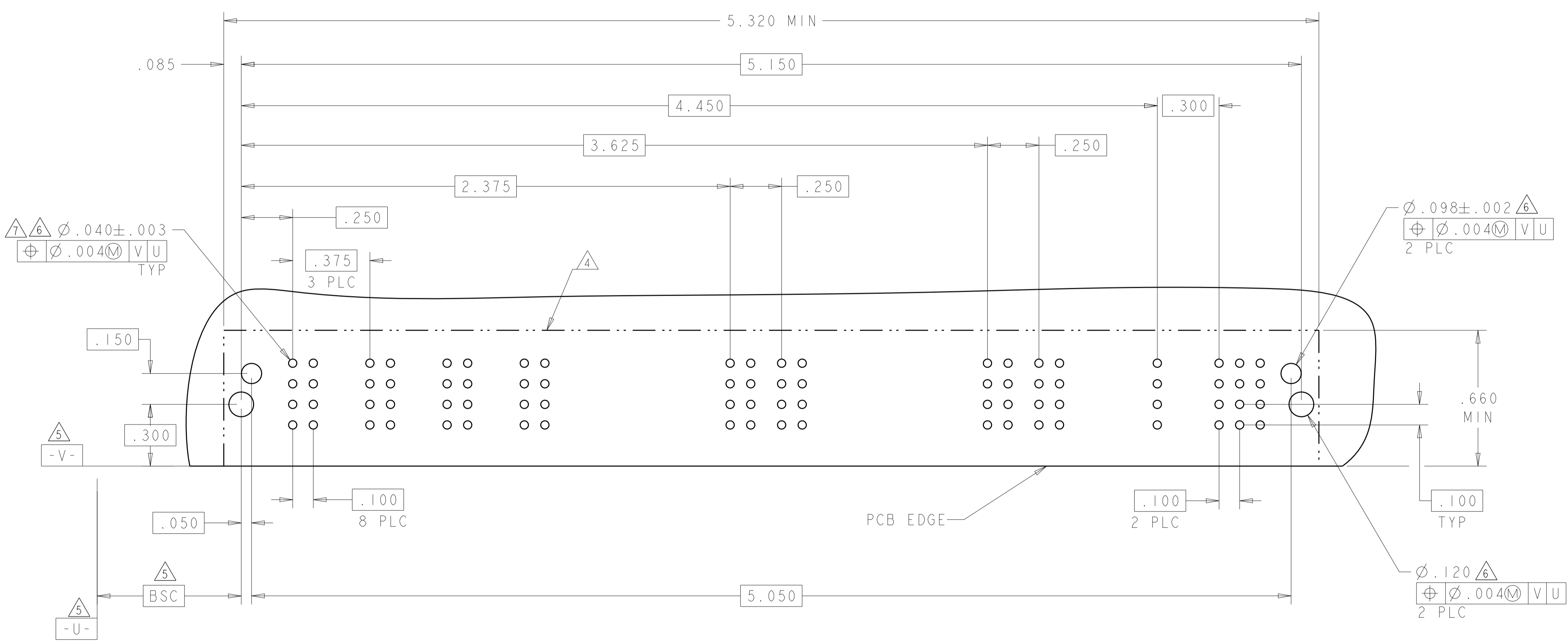
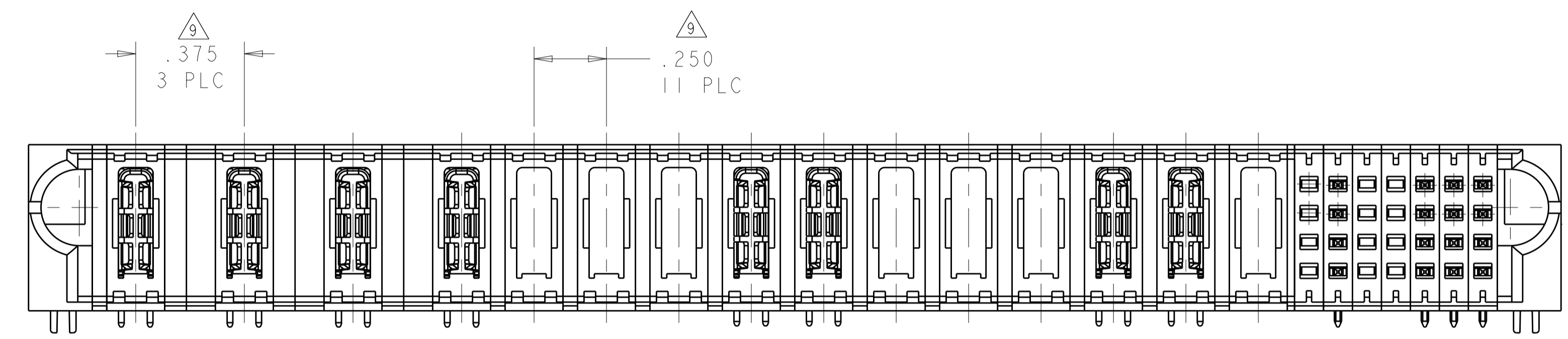
DIMENSIONS:	TOLERANCES UNLESS OTHERWISE SPECIFIED:	DWN: H. LIU 27MAY2008	CHK: S. ZHAO 27MAY2008	APVD: S. ZHAO	NAME: R/A HEADER WITH SHORT GUIDES AND LP CONTACTS ASSEMBLY MULTI-BEAM XLE
INCHES	0 PLC ± 1 PLC ±.01 2 PLC ±.01 3 PLC ±.01 4 PLC ±.005 ANGLES ±.020	PRODUCT SPEC: 108-2292	APPLICATION SPEC: 114-13251	SIZE: A1	CAGE CODE: 6450832
MATERIAL:	FINISH: #2	WEIGHT:	CUSTOMER DRAWING	SCALE: 4:1	SHEET 23 OF 24

4805 (3/11) Downloaded From Onevac.com

LOC	DIST	REVISIONS					
		P	LTN	DESCRIPTION	DATE	DWN	APVD
		-		SEE SHEET 1			

PART NUMBER	ROWS	POWER															SIGNAL									
		P1	P2	P3	P4	P5	P6	P7	P8	P9	P10	P11	P12	P13	P14	P15	1	2	3	4	5	6	7			
4-6450832-7	D															-	J	-	-	J	J	J				
	C															-	K	-	-	K	K	K				
	B	TM	TM	TM	TM	-	-	-	TM	TM	-	-	-	TM	TM	-	-	G	-	-	G	G	G			
	A															-	H	-	-	H	H	H				
15P + 28S																										

- NO CONTACTS LOADED



THIS DRAWING IS A CONTROLLED DOCUMENT.		DWN H. LIU 27MAY2008	
DIMENSIONS: INCHES		CHK S. ZHAO 27MAY2008	
		APVD S. ZHAO	NAME R/A HEADER WITH SHORT GUIDES AND LP CONTACTS ASSEMBLY MULTI-BEAM XLE
TOLERANCES UNLESS OTHERWISE SPECIFIED:		PRODUCT SPEC 108-2292	SIZE A100779
0 PLC ± 1 PLC ±.01 2 PLC ±.01 3 PLC ±.005 4 PLC ±.002 ANGLES ±.020		APPLICATION SPEC 114-13251	RESTRICTED TO
MATERIAL		WEIGHT	SCALE 4:1 SHEET 24 OF 24 REV K6
FINISH		CUSTOMER DRAWING	

单击下面可查看定价，库存，交付和生命周期等信息

[>>TE Connectivity\(泰科\)](#)