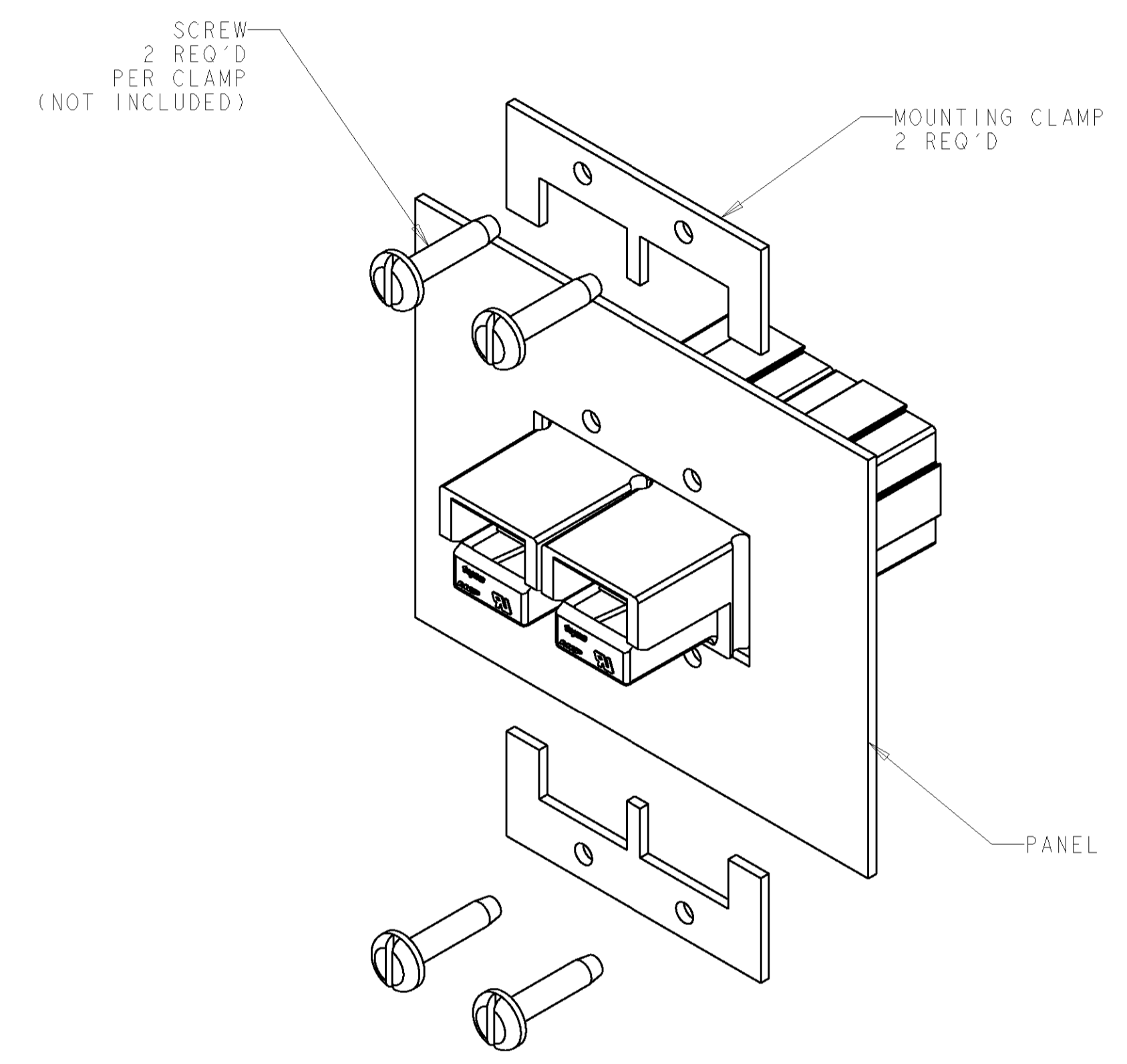
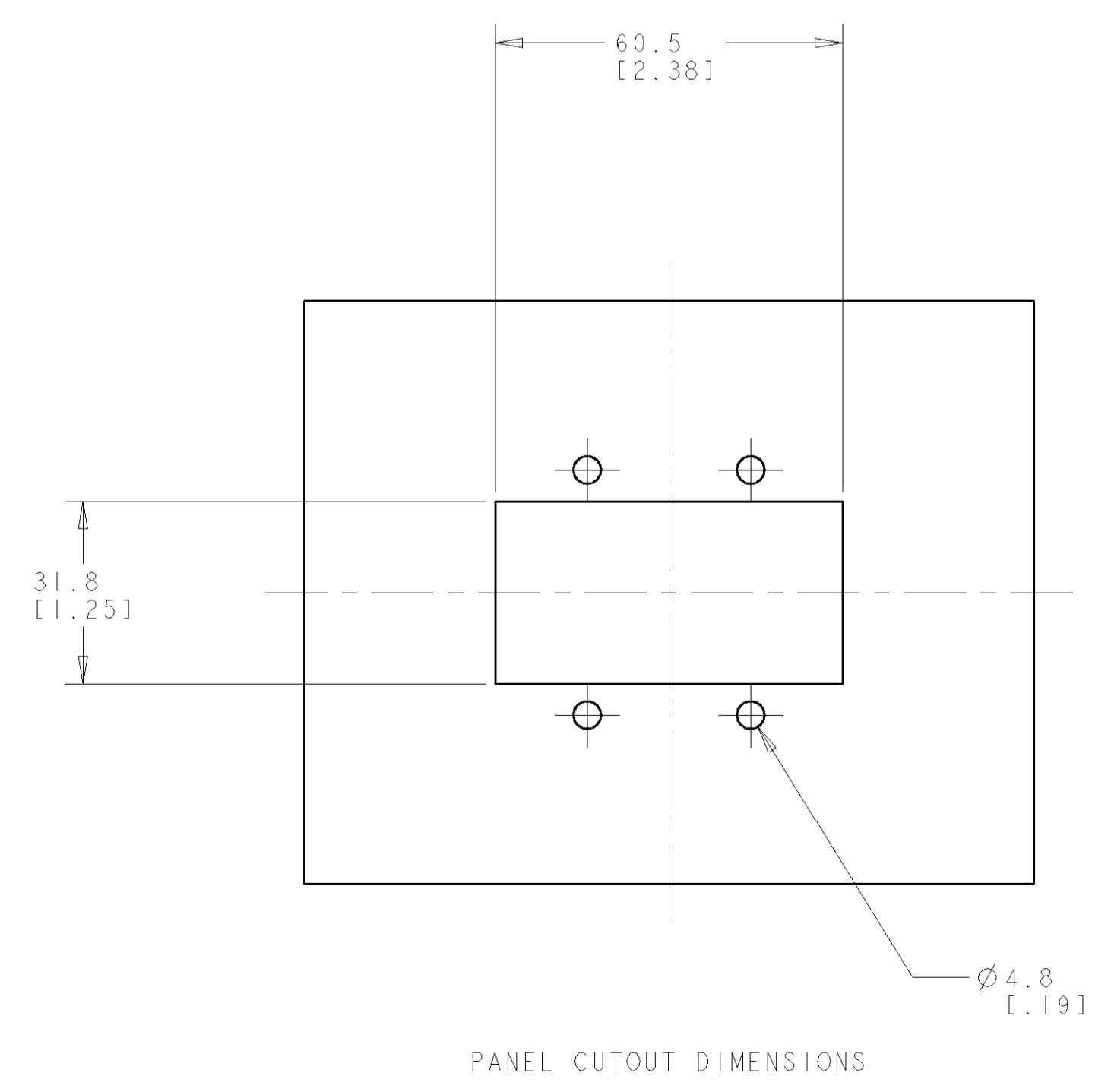
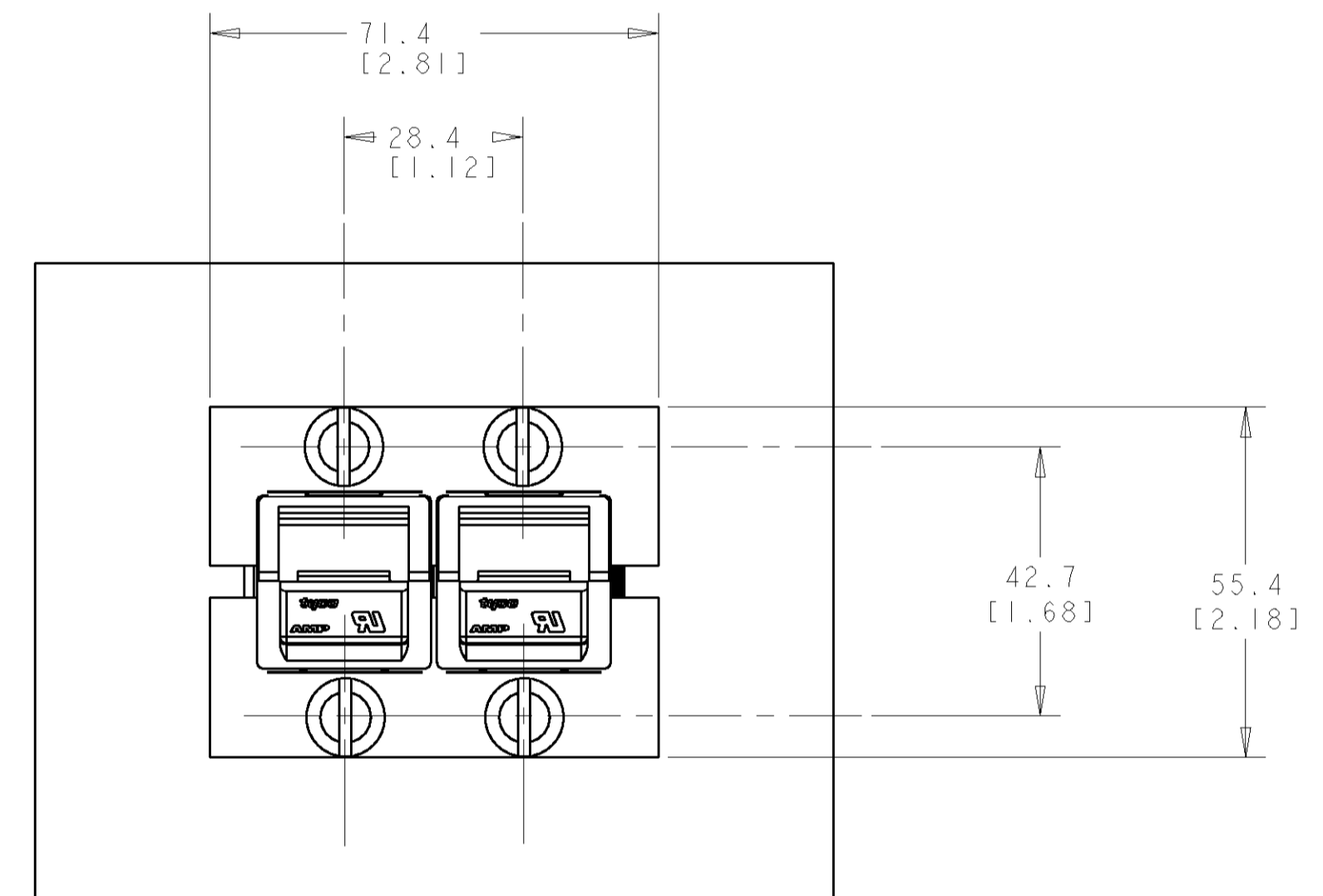


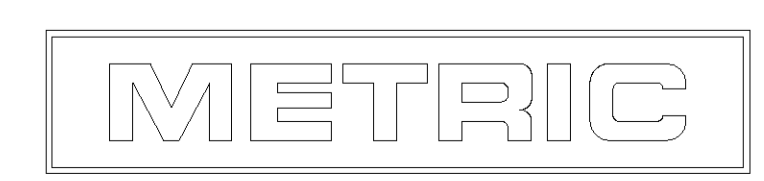
LOC	DIST	REVISIONS					
CM	00	P	LTR	DESCRIPTION	DATE	DWN	APVD
		1		PRE-RELEASED	21NOV2002	KW	JE
		0		REVISED PER 0638-0595-03	16JAN06	KW	JE



I. MOUNTING CLAMPS SOLD IN PAIRS, SCREWS NOT INCLUDED.

1 BOX	647720-2
1 PAIR	647720-1
QTY / UNIT OF MEASUREMENT	PART NUMBER

DIMENSIONS: mm [INCHES] TOLERANCES UNLESS OTHERWISE SPECIFIED: 0 PLC ± 1 PLC ±0.5 [0.02] 2 PLC ± 3 PLC ± 4 PLC ± ANGLES ± FINISH - MATERIAL AL 2.3 [0.09] THK		DWN B. WHITAKER 07-JAN-2003 ENR J. ELLIS 07-JAN-2003 APVD J. ELLIS 07-JAN-2003 PRODUCT SPEC - APPLICATION SPEC - WEIGHT - CUSTOMER DRAWING		<b>tyco</b> Tyco Electronics <b>Electronics</b> Harrisburg, PA 17105-3608 NAME AMP POWER SERIES 180 MOUNTING CLAMP, 2 POLE SIZE CAGE CODE DRAWING NO RESTRICTED TO A 00779 C-647720 - SCALE 1:1 SHEET 1 OF 1 REV 0	
--	--	--	--	---	--



单击下面可查看定价，库存，交付和生命周期等信息

[>>TE Connectivity\(泰科\)](#)