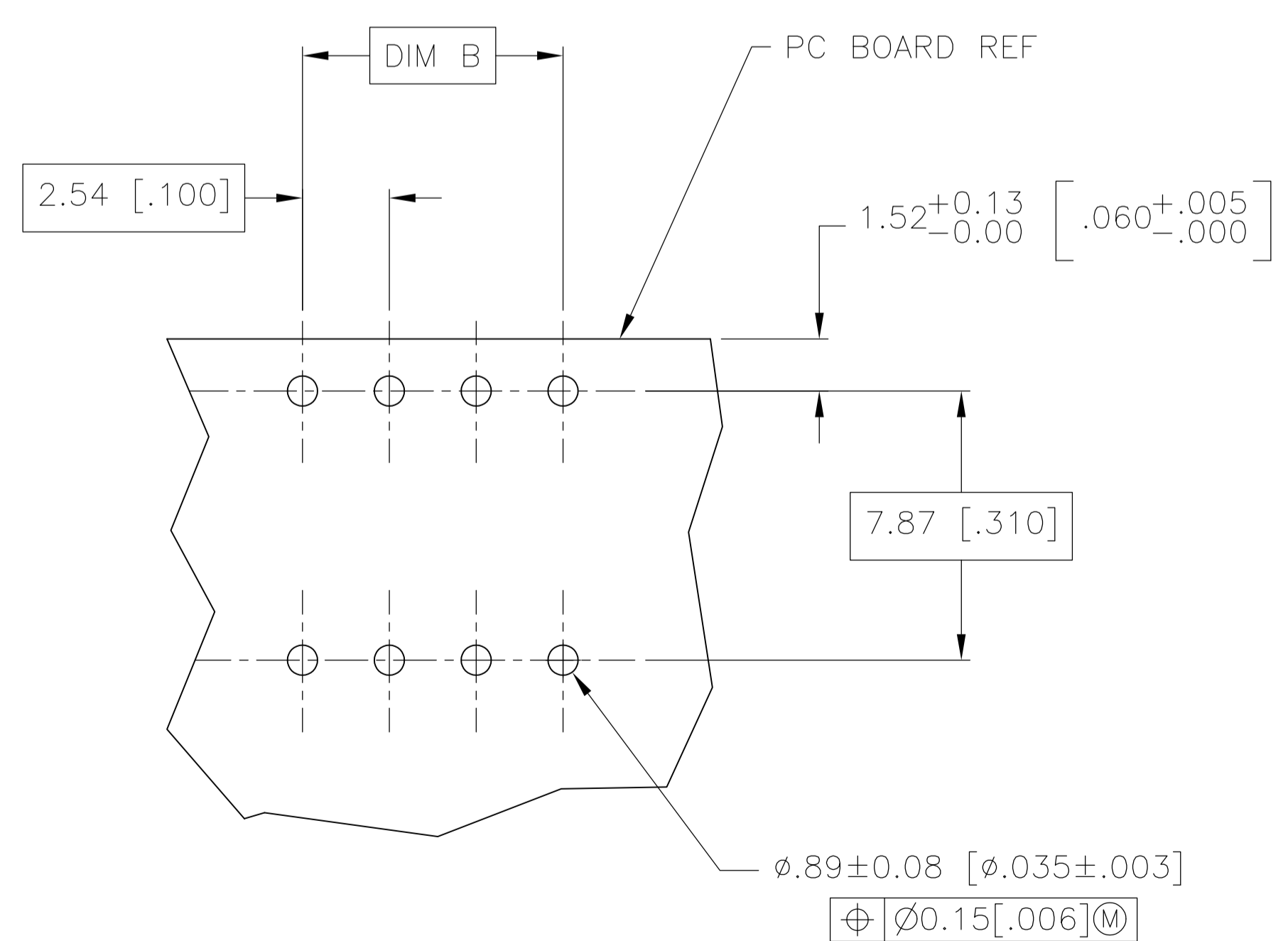
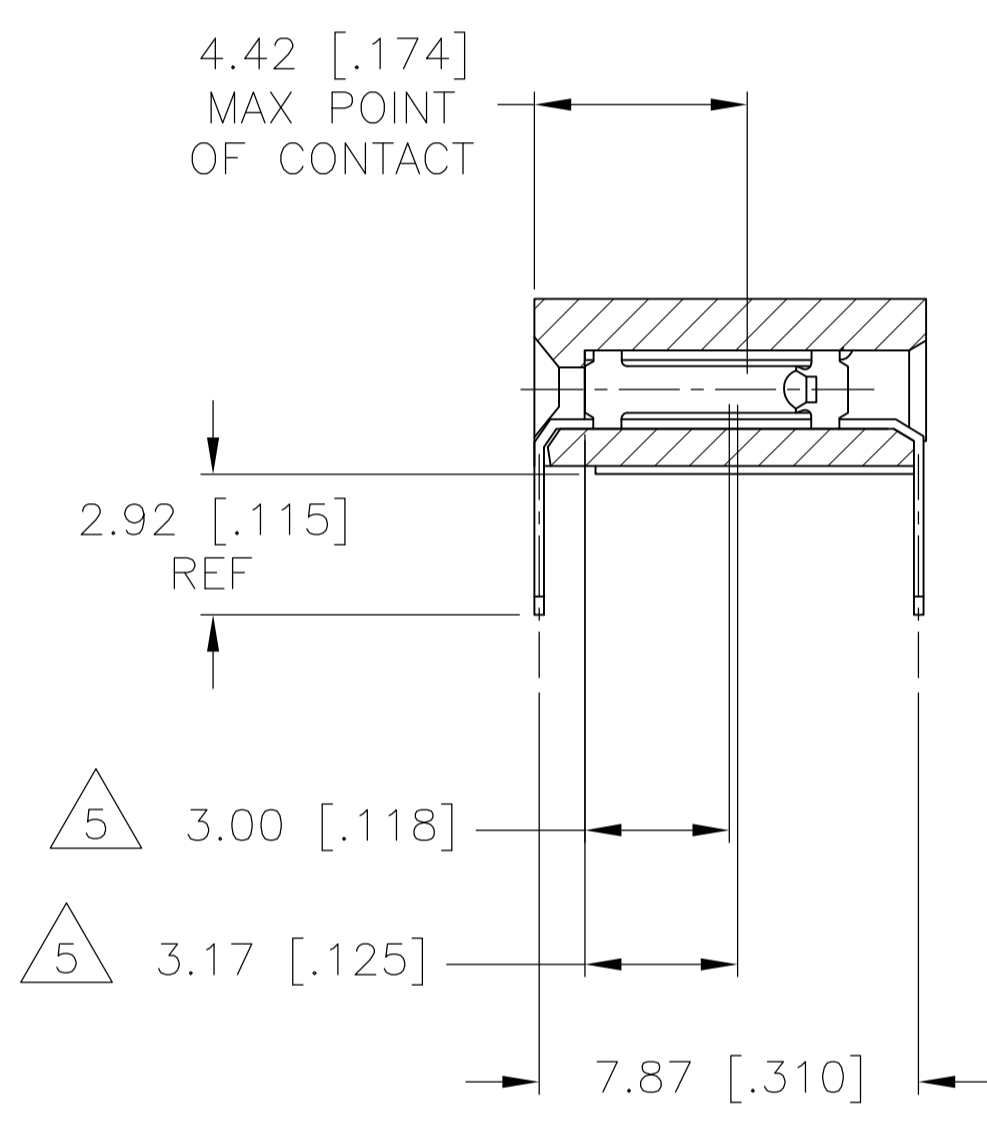
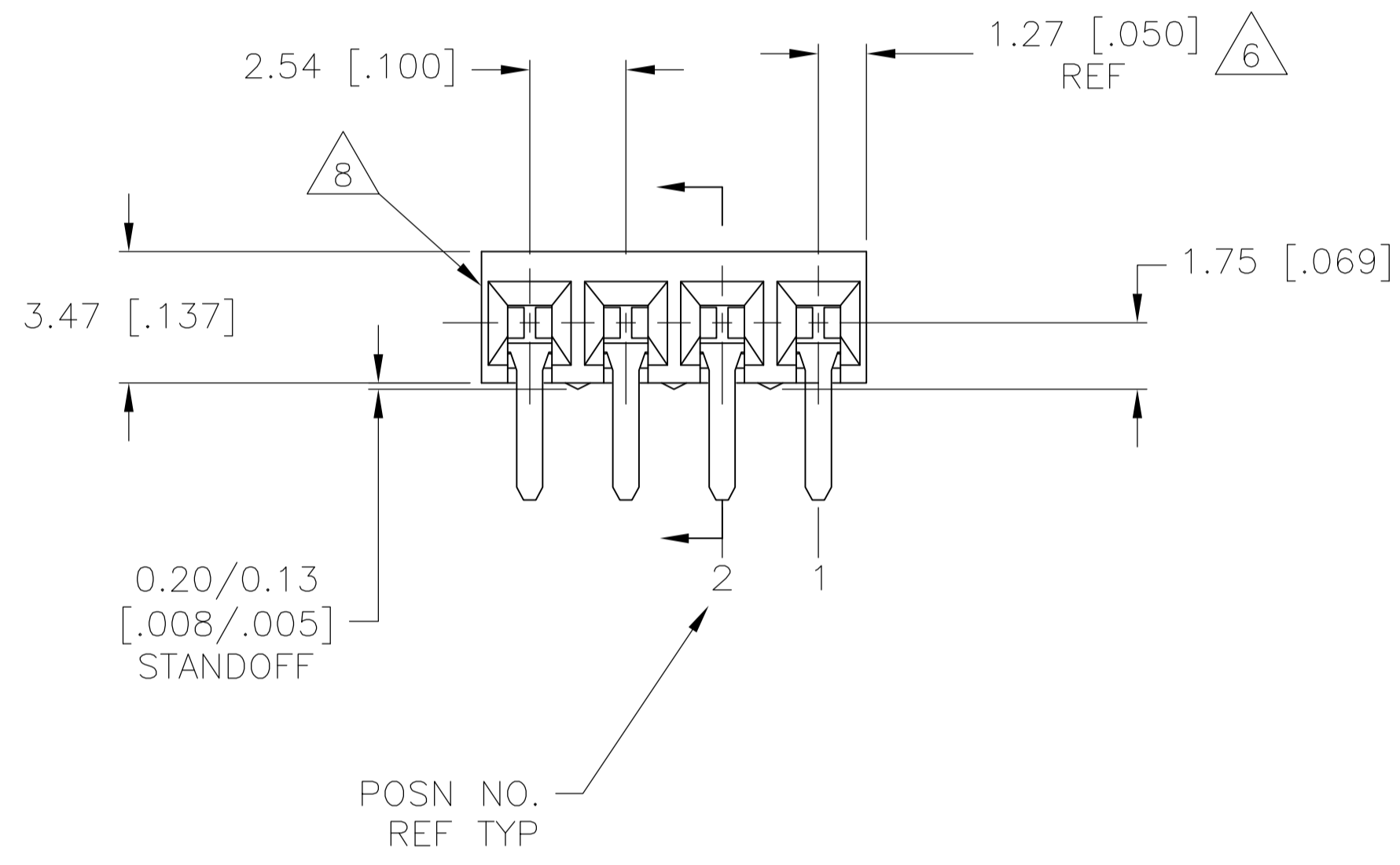


- 1 HOUSING MATERIAL: GLASS FILLED POLYESTER, COLOR- BLACK
- 2 CONTACT MATERIAL: PHOSPHOR BRONZE
- 3 CONTACT FINISH: 0.00025[.000010] THK DUPLEX PLATED GOLD ON CONTACT AREA, 0.00127[.000050] MIN THK BRIGHT TIN-LEAD OR TIN ON SOLDERLEADS, ALL OVER 0.00127[.000050] NICKEL
- 4 MOLDED IN ARROW DESIGNATES THE MATING FACE OF THE CONNECTOR
- 5 POINT OF MEASUREMENT FOR PLATING THICKNESS OF CONTACT AREA
- 6 DIMENSIONS PERTAIN TO HOUSING CAVITY CENTERLINES
- 7 DATE CODE AND PART NUMBER MARKED IN APPROXIMATE LOCATION SHOWN.
- 8 PIN #1 INDICATOR, WHITE DOT



RECOMMENDED PC BOARD LAYOUT

17.78[.700]	20.32[.800]	8	1977215-7
B	A	NO. OF POSN	ASSEMBLY PART NUMBER

THIS DRAWING IS A CONTROLLED DOCUMENT.		DIN M. BINNER 01NOV07	Tyco Electronics Corporation Harrisburg, PA 17105	
DIMENSIONS:		CHK J. OLSON 01NOV07	NAME AMPMODU MOD II RECEPTACLE ASSEMBLY, HORIZONTAL, .100 CL, SINGLE ROW, CLOSED-ENTRY, SHORT POINT OF CONTACT, END-TO-END STACKABLE	
TOLERANCES UNLESS OTHERWISE SPECIFIED:		APVD J. OLSON 01NOV07	PRODUCT SPEC	
MATERIAL		APPLICATION SPEC	RESTRICTED TO	
FINISH		SIZE	CAGE CODE	DRAWING NO
WEIGHT		A1	00779	1977215
CUSTOMER DRAWING		SCALE	SHEET	REV
		5:1	1 OF 1	A

单击下面可查看定价，库存，交付和生命周期等信息

[>>TE Connectivity\(泰科\)](#)