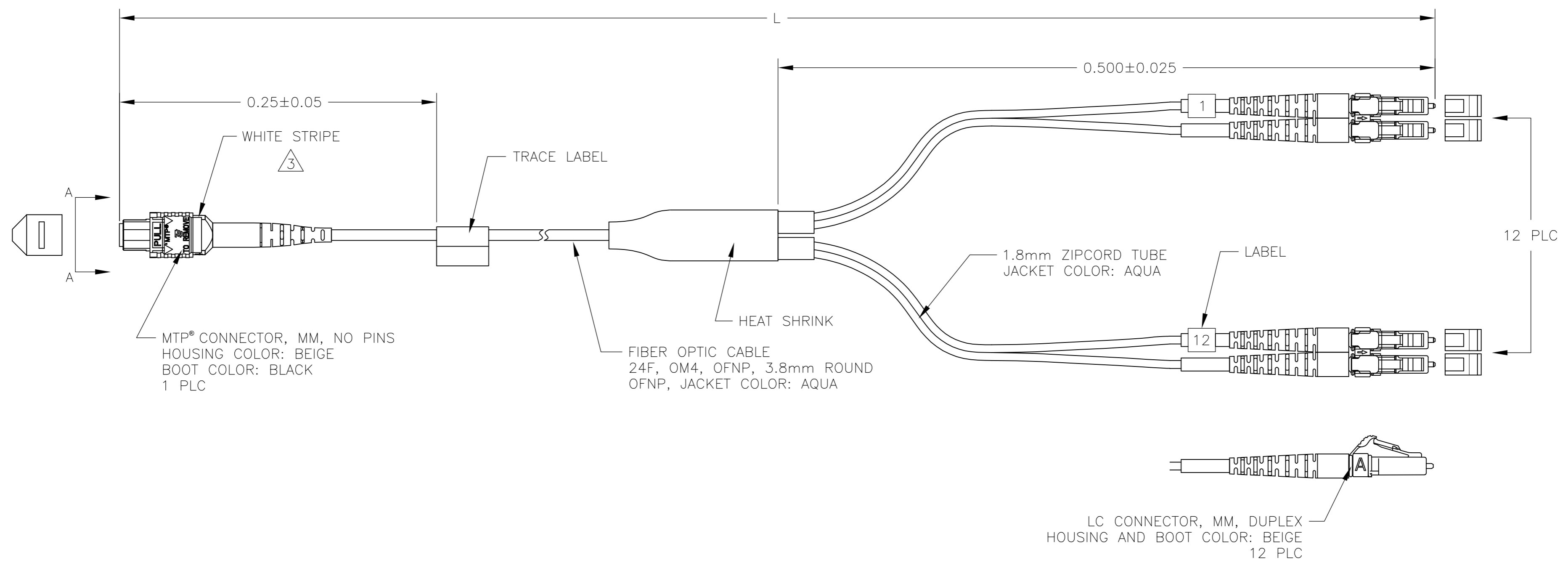


THIS DRAWING IS UNPUBLISHED. RELEASED FOR PUBLICATION  
 © COPYRIGHT - By - ALL RIGHTS RESERVED.

LOC	DIST	REVISIONS			
P	LTR	DESCRIPTION	DATE	DWN	APVD
HG	17				
	G	ECR-14-011637	15AUG2014	HZ	RZ

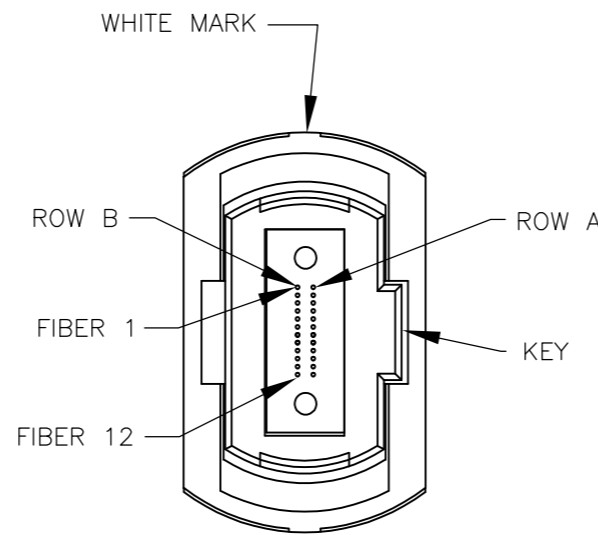


THIS DRAWING IS A CONTROLLED DOCUMENT.		DWN SIMON WU 14JUN12	<b>STE</b> TE Connectivity	
		CHK KIM ZHANG 14JUN12		
DIMENSIONS: METERS		APVD RICHARD ZHAO 14JUN12	NAME CABLE ASSEMBLY, FIBER OPTIC, OM4 CXP BREAKOUT, OFNP, 24F, 3.8mm ROUND CABLE MTP® NO PINS TO 12 LC DUPLEX	
TOLERANCES UNLESS OTHERWISE SPECIFIED:		PRODUCT SPEC	RESTRICTED TO	
0 PLC ± -		APPLICATION SPEC	SIZE A2	CAGE CODE 00779
1 PLC ± -			DRAWING NO 2148446	
2 PLC ± -			SCALE NTS	
3 PLC ± -			SHEET 1 of 2	
4 PLC ± -			REV G	
ANGLES ± -		WEIGHT		
FINISH		CUSTOMER DRAWING		

THIS DRAWING IS UNPUBLISHED. RELEASED FOR PUBLICATION  
 © COPYRIGHT - By - ALL RIGHTS RESERVED.

Loc		DIST		REVISIONS			
P	LTR	DESCRIPTION		DATE	DWN	APVD	
HG	17	SEE SHEET 1		-	-	-	

PART NUMBER	L		MTP® MAX IL (dB) $\Delta$ <sub>1</sub>	LC MAX IL (dB) $\Delta$ <sub>1</sub>
	MAX	MIN		
2148446-1	1.050	0.950	1.00	0.30
2148446-2	2.050	1.950	1.01	0.31
2148446-3	3.050	2.950	1.01	0.31
2148446-4	4.080	3.920	1.01	0.31
2148446-5	5.080	4.920	1.02	0.32
2148446-6	6.080	5.920	1.02	0.32
2148446-7	7.080	6.920	1.02	0.32
2148446-8	8.080	7.920	1.03	0.33
2148446-9	9.150	8.850	1.03	0.33
1-2148446-0	10.150	9.850	1.04	0.34
1-2148446-1	11.150	10.850	1.04	0.34
1-2148446-2	12.150	11.850	1.04	0.34
1-2148446-3	13.150	12.850	1.05	0.35
1-2148446-4	14.150	13.850	1.05	0.35
1-2148446-5	15.150	14.850	1.05	0.35
1-2148446-6	16.160	15.840	1.06	0.36
1-2148446-7	17.170	16.830	1.06	0.36
1-2148446-8	18.180	17.820	1.06	0.36
1-2148446-9	19.190	18.810	1.07	0.37
2-2148446-0	20.200	19.800	1.07	0.37
2-2148446-1	21.210	20.790	1.07	0.37
2-2148446-2	22.220	21.780	1.08	0.38
2-2148446-3	23.230	22.770	1.08	0.38
2-2148446-4	24.240	23.760	1.08	0.38
2-2148446-5	25.250	24.750	1.09	0.39
2-2148446-6	26.260	25.740	1.09	0.39
2-2148446-7	27.270	26.730	1.09	0.39
2-2148446-8	28.280	27.720	1.10	0.40
2-2148446-9	29.290	28.710	1.10	0.40
3-2148446-0	30.300	29.700	1.11	0.41
3-2148446-1	31.310	30.690	1.11	0.41
3-2148446-2	32.320	31.680	1.11	0.41
3-2148446-3	33.330	32.670	1.12	0.42
3-2148446-4	34.340	33.660	1.12	0.42
3-2148446-5	35.350	34.650	1.12	0.42
3-2148446-6	36.360	35.640	1.13	0.43
3-2148446-7	37.370	36.630	1.13	0.43
3-2148446-8	38.380	37.620	1.13	0.43
3-2148446-9	39.390	38.610	1.14	0.44
4-2148446-0	40.400	39.600	1.14	0.44
4-2148446-1	41.410	40.590	1.14	0.44
4-2148446-2	42.420	41.580	1.15	0.45
4-2148446-3	43.430	42.570	1.15	0.45
4-2148446-4	44.440	43.560	1.15	0.45
4-2148446-5	45.450	44.550	1.16	0.46
4-2148446-6	46.460	45.540	1.16	0.46
4-2148446-7	47.470	46.530	1.16	0.46
4-2148446-8	48.480	47.520	1.17	0.47
4-2148446-9	49.490	48.510	1.17	0.47
5-2148446-0	50.500	49.500	1.18	0.48
5-2148446-5	55.550	54.450	1.19	0.49
6-2148446-0	60.600	59.400	1.21	0.51
6-2148446-5	65.650	64.350	1.23	0.53
7-2148446-0	70.700	69.300	1.25	0.55
7-2148446-5	75.750	74.250	1.26	0.56
8-2148446-0	80.800	79.200	1.28	0.58
8-2148446-5	86.000	84.000	1.30	0.60
9-2148446-0	91.350	88.650	1.32	0.62
9-2148446-5	96.425	94.575	1.33	0.63
9-2148446-9	101.500	98.500	1.35	0.65



VIEW A-A  
NOT TO SCALE

MTP®A ROW FIBER	FIBER COLOR	LC DPX
A 1	BLUE	1B
A 2	ORANGE	2B
A 3	GREEN	3B
A 4	BROWN	4B
A 5	SLATE	5B
A 6	WHITE	6B
A 7	RED	7B
A 8	BLACK	8B
A 9	YELLOW	9B
A 10	VIOLET	10B
A 11	ROSE	11B
A 12	AQUA	12B
B 1	BLUE	1A
B 2	ORANGE	2A
B 3	GREEN	3A
B 4	BROWN	4A
B 5	SLATE	5A
B 6	WHITE	6A
B 7	RED	7A
B 8	BLACK	8A
B 9	YELLOW	9A
B 10	VIOLET	10A
B 11	ROSE	11A
B 12	AQUA	12A

MTP® CONNECTOR FIBER PATH

- SEE TABLE FOR MTP® & LC IL @ 850nm
- PLACE A COPY OF TEST DATA INSIDE OR WITH THE UNIT PACKAGE.
- WHITE MARK ON CONNECTOR HOUSING INDICATES FIBER 1 SIDE.
- PRODUCT AND PROCESSING MUST MEET REQUIREMENTS OF TE CONNECTIVITY STANDARD TEC-138-702.

THIS DRAWING IS A CONTROLLED DOCUMENT.		DWN SIMON WU 14JUN12	TE Connectivity	
DIMENSIONS: METERS		CHK KIM ZHANG 14JUN12		
TOLERANCES UNLESS OTHERWISE SPECIFIED:		APVD RICHARD ZHAO 14JUN12	NAME CABLE ASSEMBLY, FIBER OPTIC, OM4	
0 PLC ± -		PRODUCT SPEC	CXP BREAKOUT, OFNP, 24F, 3.8mm ROUND CABLE	
1 PLC ± -		APPLICATION SPEC	MTP® NO PINS TO 12 LC DUPLEX	
2 PLC ± -		SIZE	CAGE CODE	DRAWING NO
3 PLC ± -		A2	00779	C=2148446
4 PLC ± -		WEIGHT	RESTRICTED TO	
ANGLES ± -		-	-	
FINISH		SCALE		SHEET
-		NTS		2 OF 2
CUSTOMER DRAWING		REV		G

单击下面可查看定价，库存，交付和生命周期等信息

[>>TE Connectivity\(泰科\)](#)