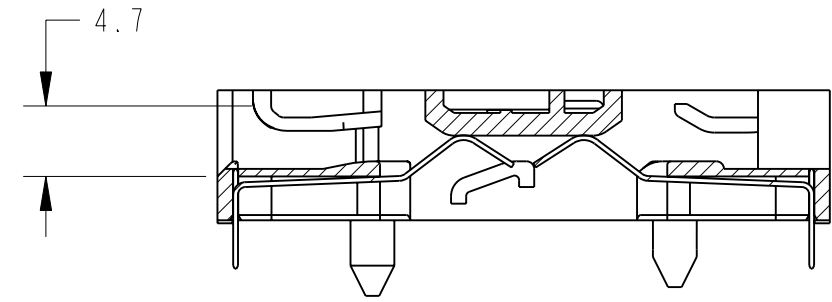
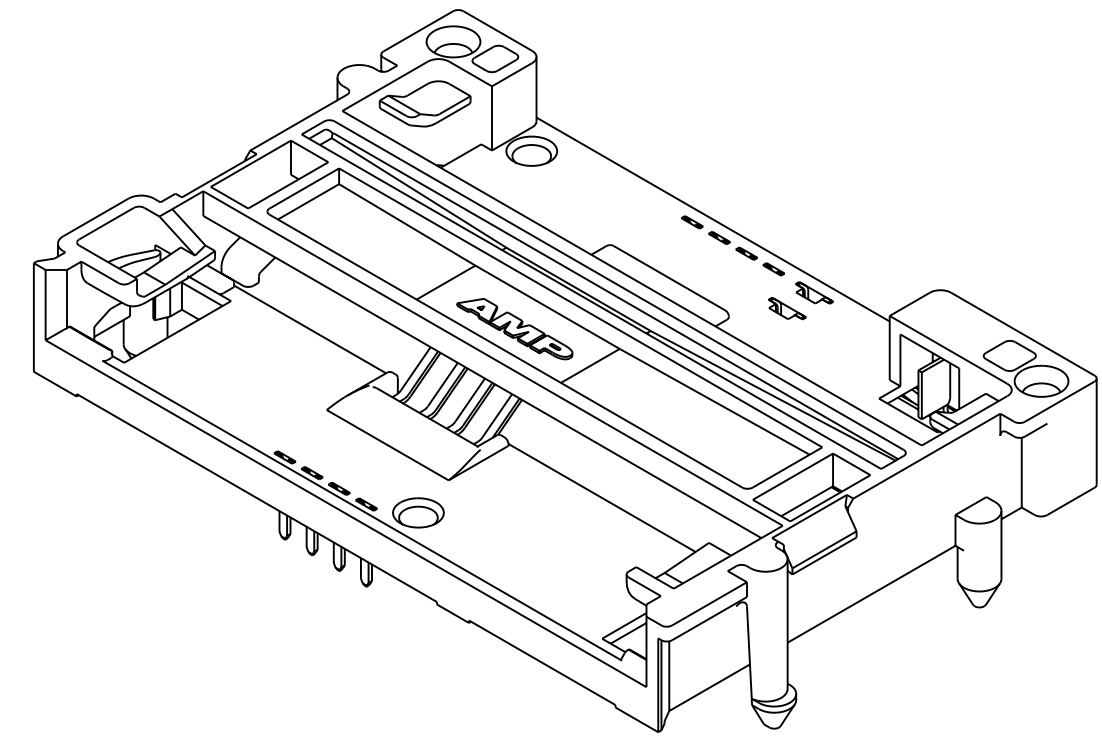


THIS DRAWING IS UNPUBLISHED. RELEASED FOR PUBLICATION
 © COPYRIGHT - ALL RIGHTS RESERVED.

LOC		DIST		REVISIONS			
P	LTR	DESCRIPTION	DATE	DWN	APVD		
IR	-	BI	ECR-11-004915	08 MAR 2011	GG	PKS	



SECTION A-A



NOTES:

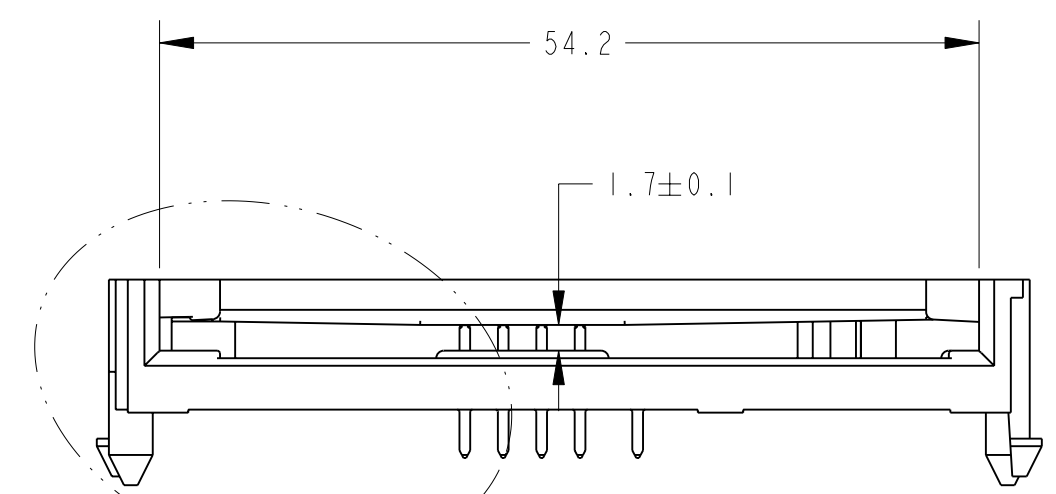
CONTACTS PLATING :

- 1 OVERALL: Ni 2µm MIN, ALL OVER THE CONTACTS.
 SOLDER ZONE: Sn 2.5µm MIN ON THE SOLDER ZONE OF THE CONTACTS.
 MATING ZONE: PLATING CONFIRMS TO PRODUCT REQUIREMENTS AS PER SPECIFICATION 108-15202.

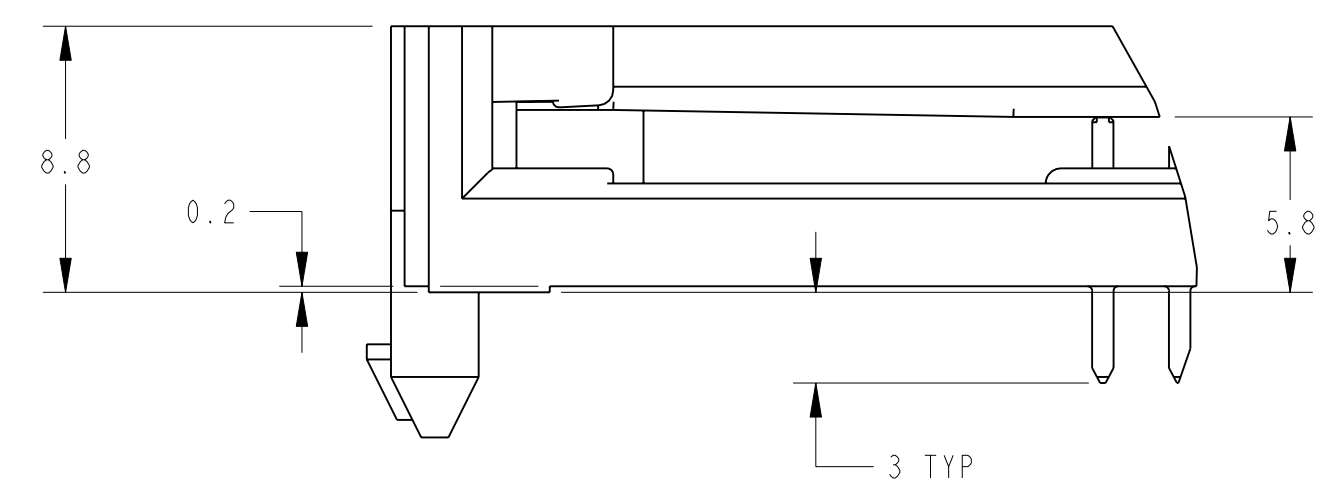
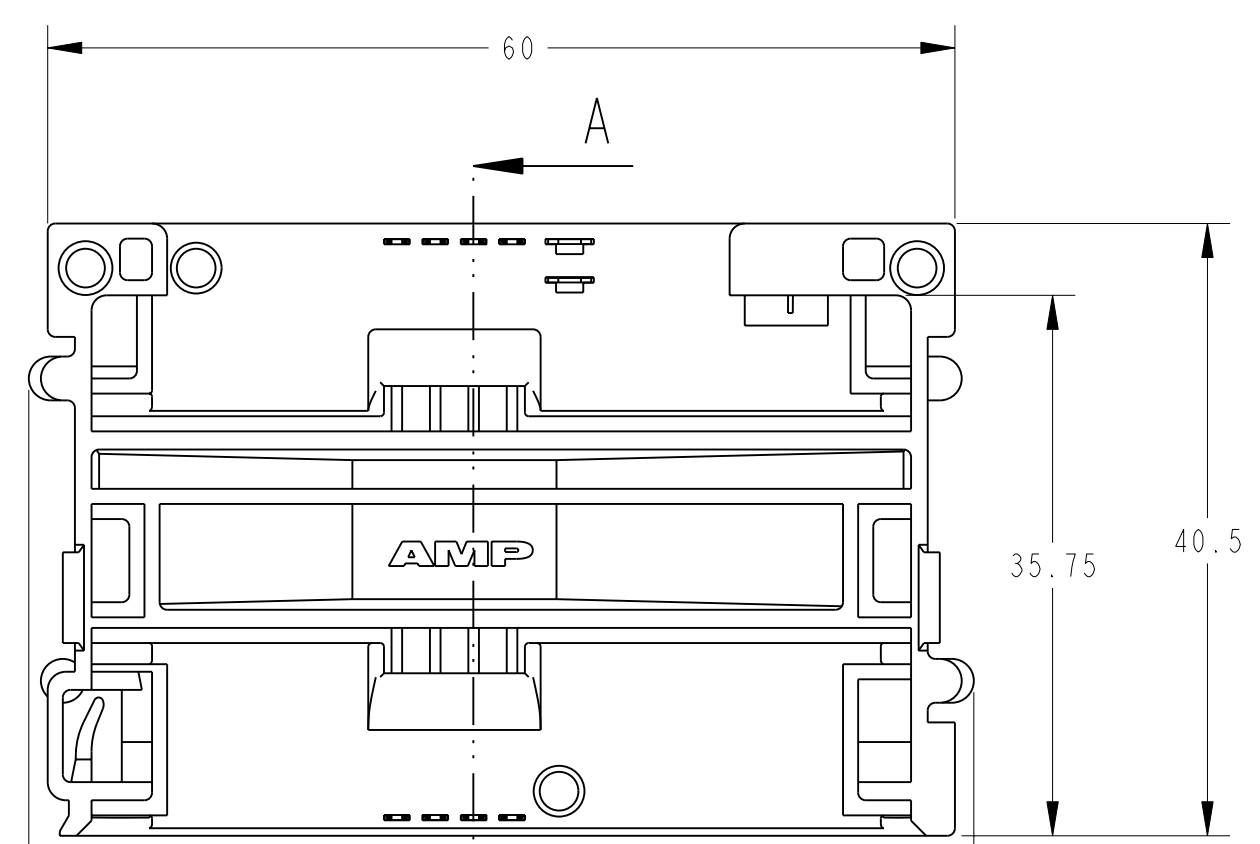
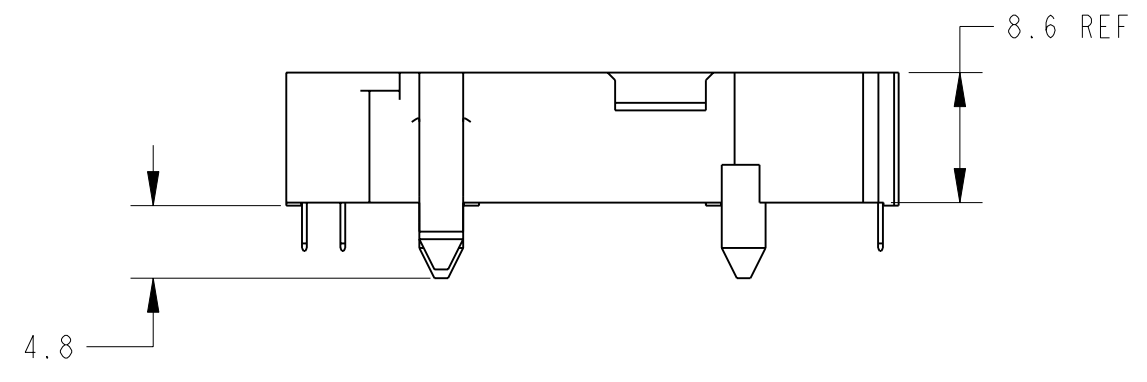
MATERIAL :

- 2 HOUSING: PBT-GF, BLACK UL 94V0.
 CONTACTS: PHOSPHOR BRONZE.

- 3 TE SMART CARD RECEPTACLE DESIGNED TO ACCEPT ISO 7810-7816 TYPE INTEGRATED CIRCUIT SMART CARDS (0.76MM REF. THICKNESS) SEE SHEET 2/2



SEE DETAIL F

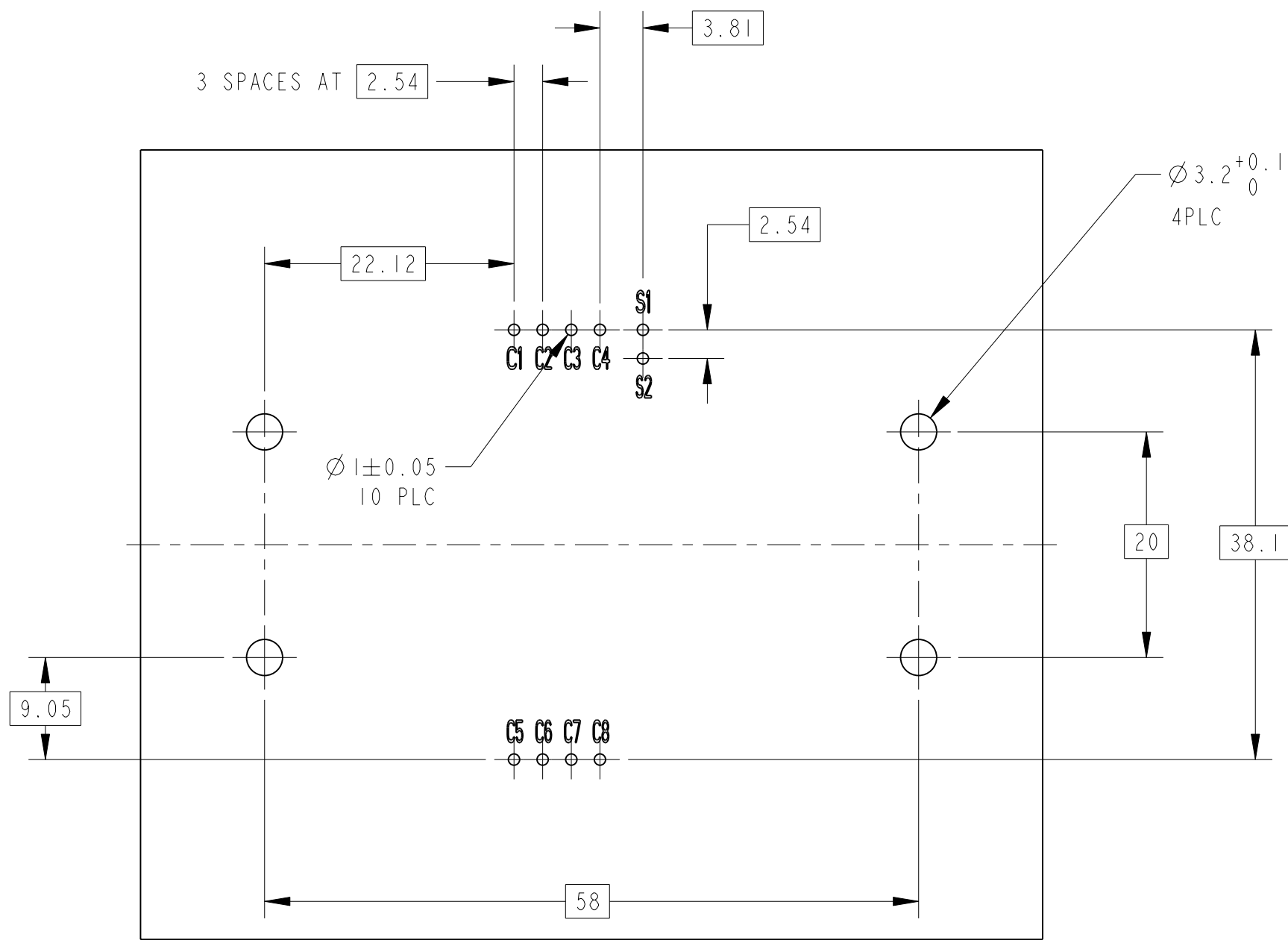


DETAIL F
SCALE 4:1

P/N : 5953501-1

THIS DRAWING IS A CONTROLLED DOCUMENT.		DWN R. Coolen	02-Dec-04	TE Connectivity	
DIMENSIONS: mm		CHK W. Jansen			
TOLERANCES UNLESS OTHERWISE SPECIFIED:		APVD P. Jaeger		NAME SMART CARD CONNECTOR, VARIABLE THICKNESS, THRU HOLE	
0 PLC ±0,3 1 PLC ±0,3 2 PLC ±0,3 3 PLC ± 4 PLC ±		PRODUCT SPEC 108-15202		SIZE A2	CAGE CODE C-5953501
ANGLES ±5 FINISH		APPLICATION SPEC -		DRAWING NO C-5953501	RESTRICTED TO -
MATERIAL		WEIGHT -		SCALE 2:1	SHEET 1 OF 2
CUSTOMER DRAWING				REV BI	

THIS DRAWING IS UNPUBLISHED. RELEASED FOR PUBLICATION
 © COPYRIGHT - ALL RIGHTS RESERVED.



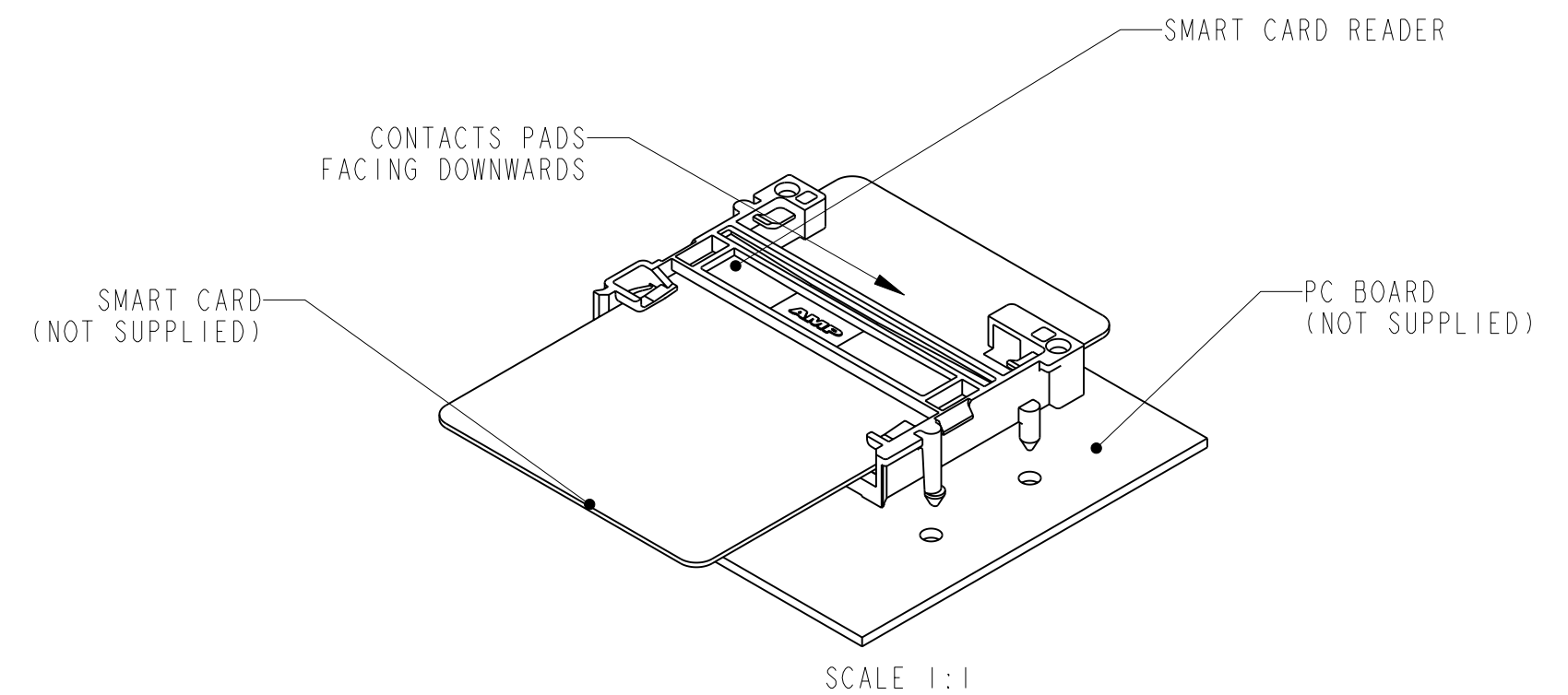
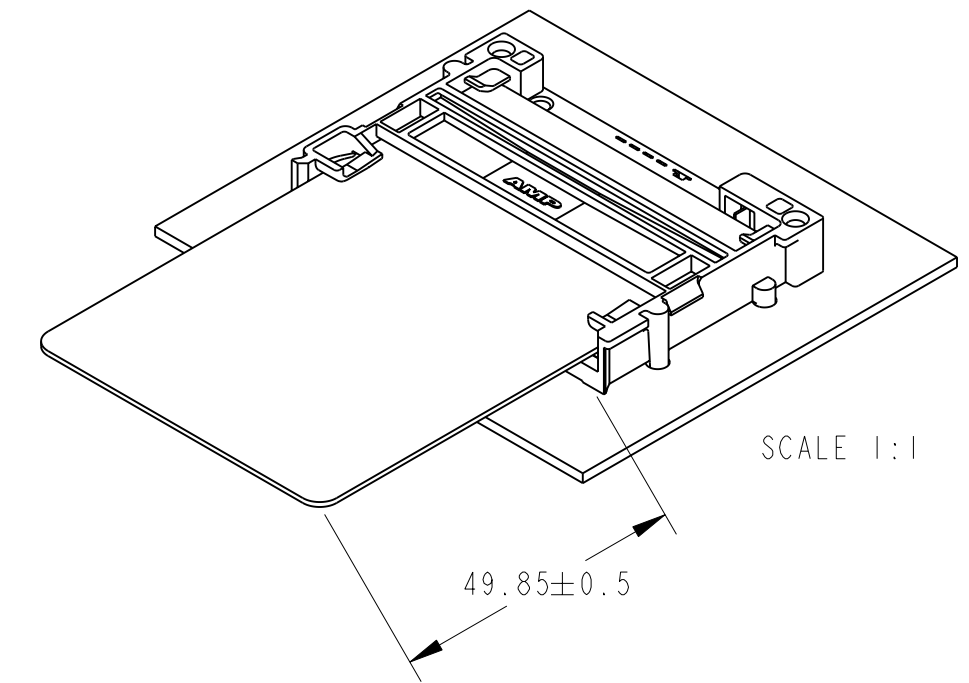
ECHELLE 2:1

(CONNECTOR SIDE)


POSITION TOLERANCE FOR ALL HOLES $\varnothing 0.13$

RECOMMENDED PCB LAYOUT
 PCB BOARD THICKNESS 1.57 ± 0.1 (.062)

LOC	DIST	REVISIONS			
P	LTR	DESCRIPTION	DATE	DWN	APVD
IR	-	SEE SHEET 1	-	-	-



PCB MOUNTING CONFIGURATION

THIS DRAWING IS A CONTROLLED DOCUMENT.		DWN R. Coolen 02-Dec-04	 TE Connectivity	
DIMENSIONS: mm		CHK W. Jansen		
TOLERANCES UNLESS OTHERWISE SPECIFIED:		APVD P. Jaeger	SMART CARD CONNECTOR, VARIABLE THICKNESS, THRU HOLE	
0 PLC ±0,3 1 PLC ±0,3 2 PLC ±0,3 3 PLC ± 4 PLC ± ANGLES ±5 FINISH		PRODUCT SPEC -	SIZE A2	CAGE CODE C-5953501
MATERIAL		APPLICATION SPEC -	DRAWING NO C-5953501	RESTRICTED TO -
-		WEIGHT -	SCALE 2:1	SHEET 2 OF 2 REV B1
-		CUSTOMER DRAWING		

单击下面可查看定价，库存，交付和生命周期等信息

[>>TE Connectivity\(泰科\)](#)