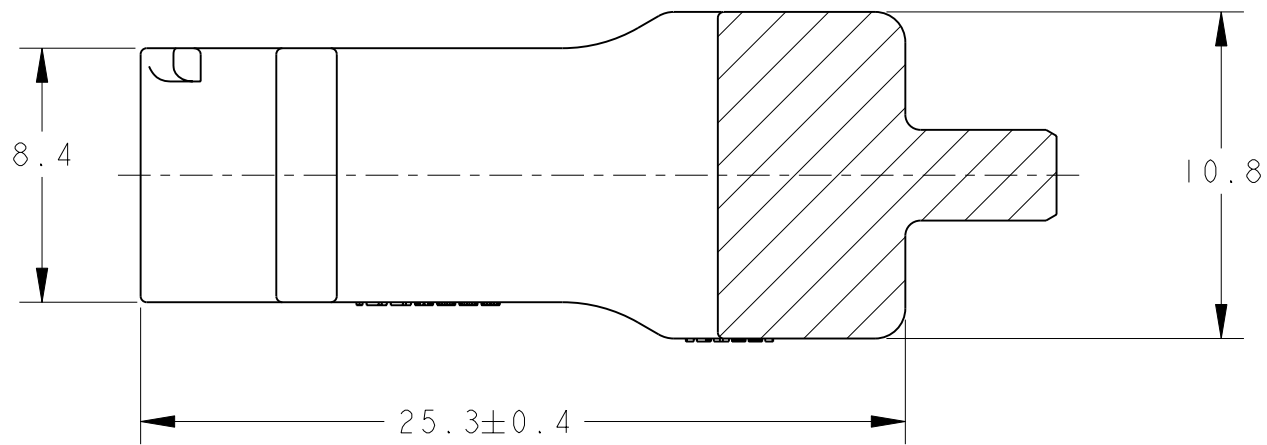
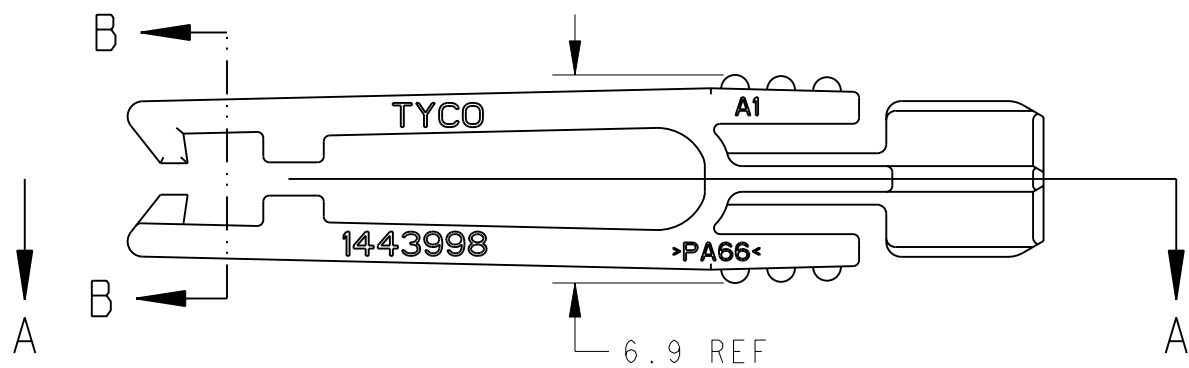


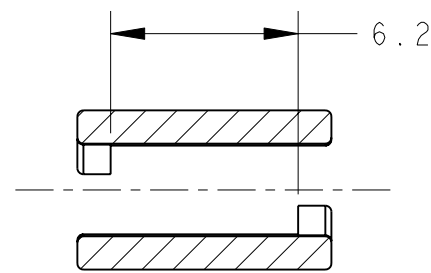
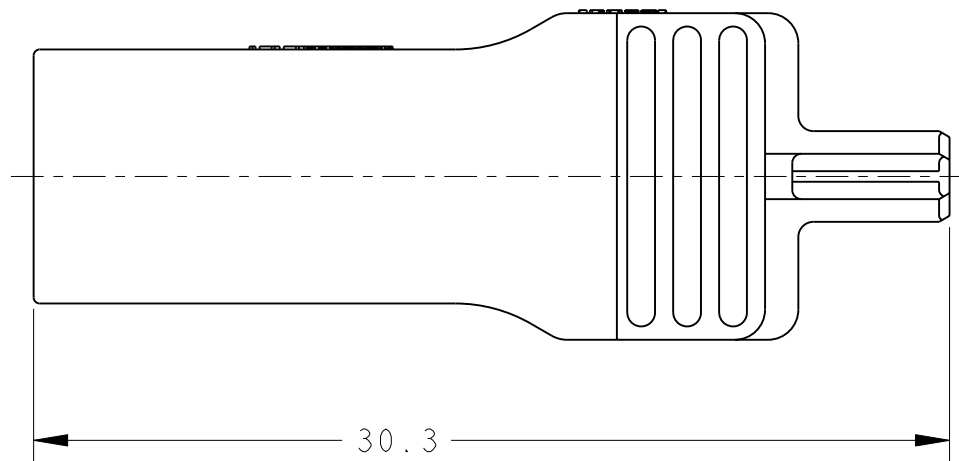
LOC	DIST	REVISIONS			
P	LTR	DESCRIPTION	DATE	DWN	APVD
HK	00	0	INITIAL RELEASE	17MAY2005	KB RM



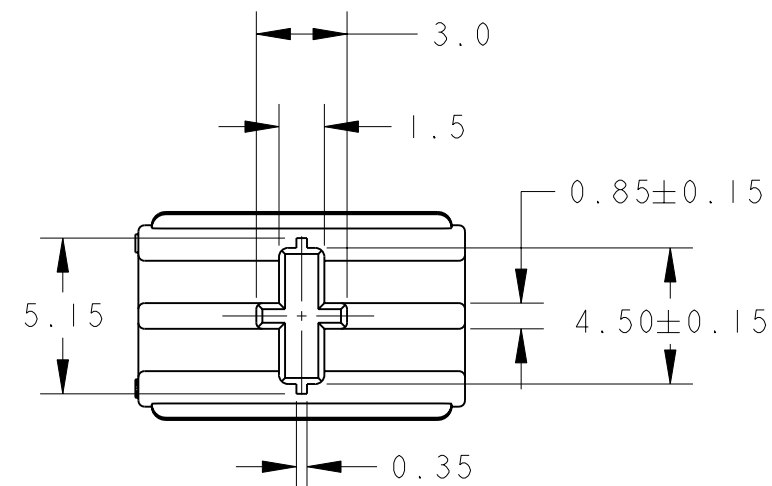
SECTION A-A



SCALE 4:1



SECTION B-B



△ MATERIAL: PA66, NATURAL

1443998-1  
PART NUMBER

<small>THIS DRAWING IS A CONTROLLED DOCUMENT FOR TYCO ELECTRONICS CORPORATION                  IT IS SUBJECT TO CHANGE AND THE CONTROLLING ENGINEERING ORGANIZATION                  SHOULD BE CONTACTED FOR THE LATEST REVISION.</small>		DWN K. BOYD 17MAY2005 CHK K. BOYD 17MAY2005 APVD R. MCCRAW 17MAY2005	<b>tyco</b> Tyco Electronics <b>Electronics</b> Harrisburg, PA 17105-3608		
DIMENSIONS: mm	TOLERANCES UNLESS OTHERWISE SPECIFIED: 0 PLC ±0.5 1 PLC ±0.5 2 PLC ±0.2 3 PLC ±. 4 PLC ±. ANGLES ±-	PRODUCT SPEC - APPLICATION SPEC - WEIGHT -	NAME FUSE PULLER		
MATERIAL △	FINISH -	CUSTOMER DRAWING	SIZE A3 CAGE CODE 00779 DRAWING NO ©-1443998	RESTRICTED TO	SCALE 2:1 SHEET 1 OF 1 REV 0

单击下面可查看定价，库存，交付和生命周期等信息

[>>TE Connectivity\(泰科\)](#)