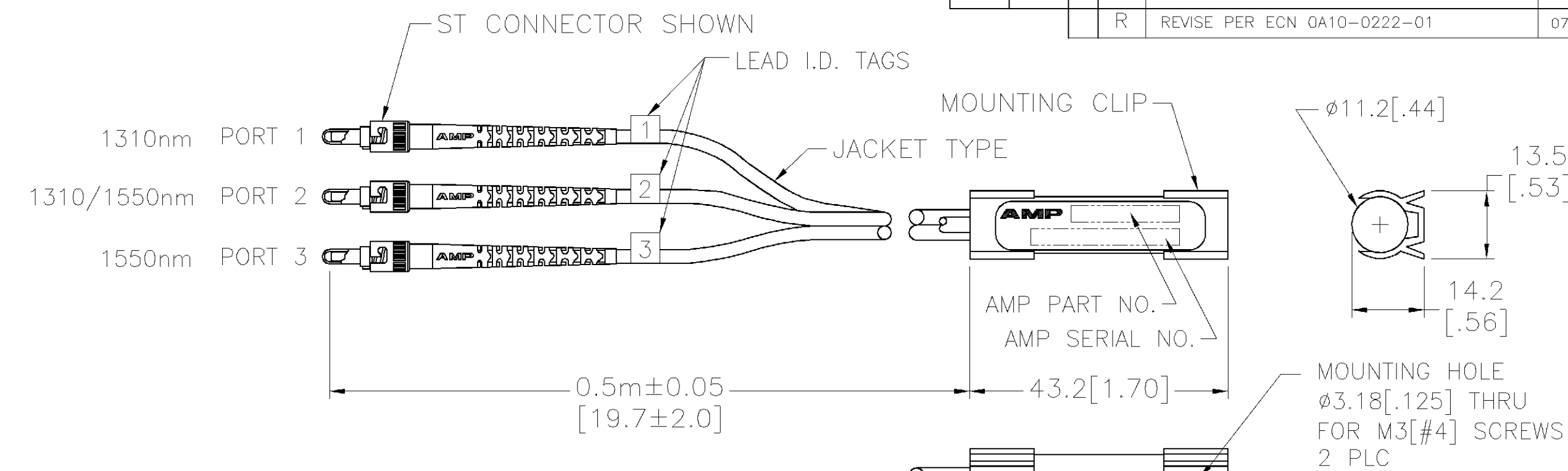


THIS DRAWING IS UNPUBLISHED. RELEASED FOR PUBLICATION  
 © COPYRIGHT BY TYCO ELECTRONICS CORPORATION. ALL RIGHTS RESERVED.

LOC	DIST	REVISIONS			
P	LTR	DESCRIPTION	DATE	DWN	APVD
EA	17	R	REVISE PER ECN 0A10-0222-01	07NOV01	SU JM



**SPECIFICATIONS:**

UNCONNECTORIZED \*  
 INSERTION LOSS  
 (PER FOTP-180):  
 TYPICAL: 0.9dB  
 MAXIMUM: 1.3dB  
 DIRECTIVITY: (PORT 1-3/3-1)  
 TYPICAL: ≥65dB  
 MINIMUM: ≥55dB  
 WAVELENGTH BANDPASS (nm):  
 TYPICAL: 120nm  
 MINIMUM: 100nm  
 RETURN LOSS (REFLECTANCE):  
 PORT 1: ≤-40dB  
 PORT 2 & 3: ≤-55dB  
 WITHOUT CONNECTORS  
 ISOLATION:  
 PORT 2-1: ≥35dB  
 PORT 2-3: ≥40dB  
 POLARIZATION SENSITIVITY: <0.2dB  
 OPERATING TEMPERATURE: -20°C TO +60°C  
 STORAGE TEMPERATURE: -20°C TO +60°C

\* FOR ADDITIVE CONNECTOR  
 LOSSES REFER TO AMP  
 SPECIFICATION 115-56004.

PART NUMBER	LEAD DIA.	CONNECTOR TYPE
99717-4	3mm	FC/APC
99717-5	3mm	NONE
99717-6	3mm	FC/UPC
99717-7	3mm	ST/UPC
99717-8	3mm	SC/UPC
9-99717-4	0.9mm	FC/APC
9-99717-5	0.9mm	NONE
9-99717-6	0.9mm	FC/UPC
9-99717-7	0.9mm	ST/UPC
9-99717-8	0.9mm	SC/UPC

THIS DRAWING IS A CONTROLLED DOCUMENT.		DWN R. MONTANEZ 16NOV98	Tyco Electronics Corporation Harrisburg, PA 17057													
DIMENSIONS: MM [INCHES]		CHK H. McALLISTER 16NOV98														
TOLERANCES UNLESS OTHERWISE SPECIFIED:		APVD P. DUBENKO 16NOV98	NAME DEMUX, 1310/1550nm 0.9µm FIBER													
<table border="1"> <tr><td>0 PLC</td><td>± -</td></tr> <tr><td>1 PLC</td><td>± 1.0 [04]</td></tr> <tr><td>2 PLC</td><td>± 0.38 [015]</td></tr> <tr><td>3 PLC</td><td>± -</td></tr> <tr><td>4 PLC</td><td>± -</td></tr> <tr><td>ANGLES</td><td>± 2'</td></tr> </table>		0 PLC	± -	1 PLC	± 1.0 [04]	2 PLC	± 0.38 [015]	3 PLC	± -	4 PLC	± -	ANGLES	± 2'	PRODUCT SPEC -	SIZE A3	
0 PLC	± -															
1 PLC	± 1.0 [04]															
2 PLC	± 0.38 [015]															
3 PLC	± -															
4 PLC	± -															
ANGLES	± 2'															
MATERIAL -		FINISH -	CAGE CODE 00779	DRAWING NO C-99717												
		WEIGHT -	RESTRICTED TO -													
		CUSTOMER DRAWING		SCALE NTS												
		SHEET 1 OF 1		REV R												

单击下面可查看定价，库存，交付和生命周期等信息

[>>TE Connectivity\(泰科\)](#)