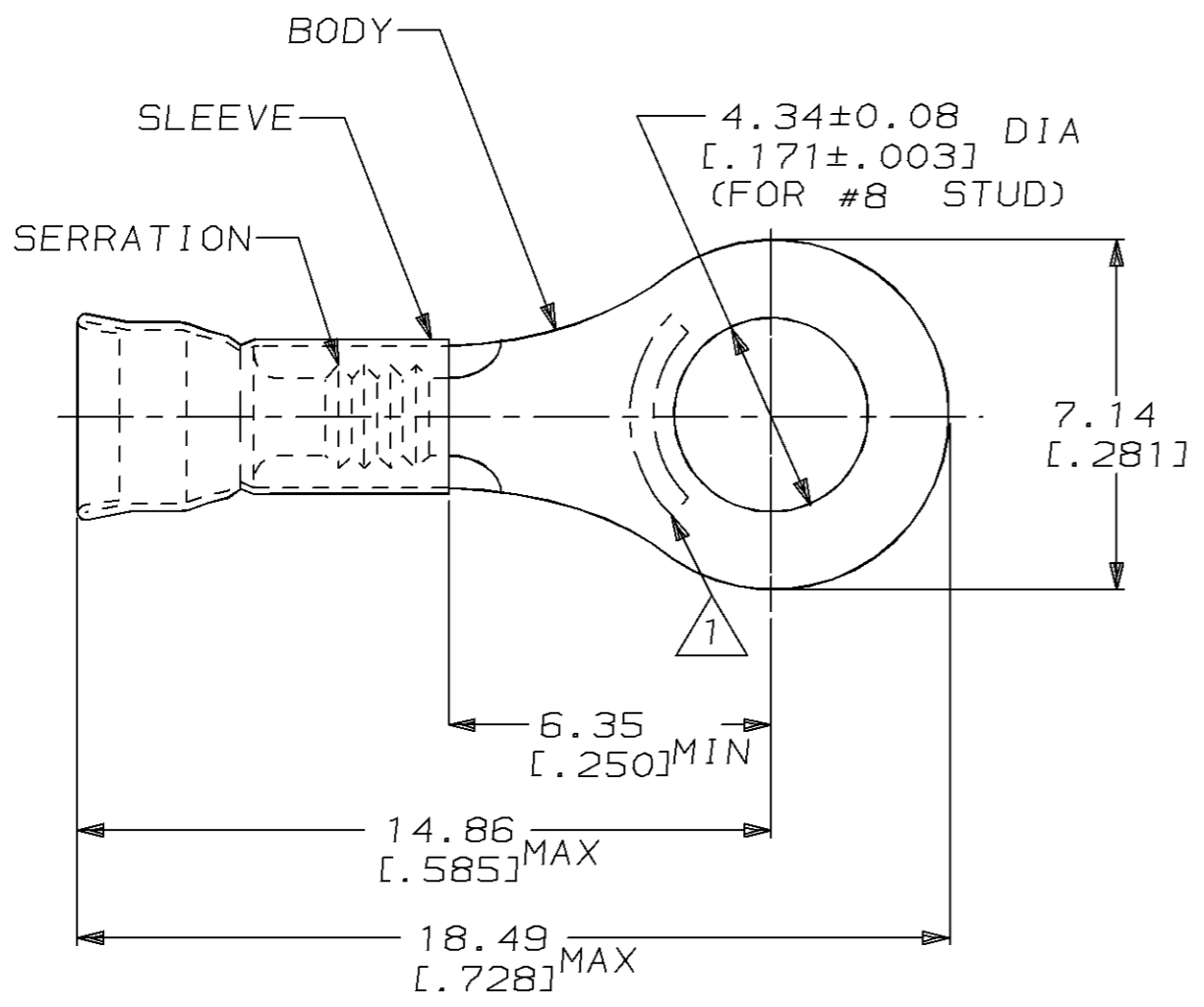


THIS DRAWING IS UNPUBLISHED. RELEASED FOR PUBLICATION, 19 .  
 © COPYRIGHT 19 BY AMP INCORPORATED. ALL RIGHTS RESERVED.

LOC	DIST	REVISIONS					
		P	LTR	DESCRIPTION	DATE	DWN	APVD
G	14		E	REV / 0720-0868-96	26FEB96	ME	SB



<b>AMP</b> WIRE RANGE	<b>UL</b> E13288	<b>SP</b> LR7189 Certified
22-16 AWG SOLID OR STRANDED	22-16 AWG SOLID OR STRANDED	22-16 AWG SOLID OR STRANDED

- ① STAMP AMP 22-18\* APPROX AS SHOWN  
22-16 TERMINALS ARE STAMPED 22-18 IN  
ACCORDANCE WITH MILITARY SPEC MIL-T-7928  
COMMERCIAL WIRE RANGE IS 22-16
- 2. WIRE INSUL DIA, 2.67-3.56 [.105-.140]
- 3. TONGUE MATL THK, 0.79±0.05 [.031±.002]
- ④ TIN PLATE PER MIL-T-10727
- ⑤ GOLD PLATE PER MIL-G-45204 OVER NICKEL  
PLATE PER QQ-N-290

QTY	PACKAGE TYPE	PART NO
⑤ 1000	LOOSE PIECE	31397-1
⑥ ④ 5000	ON TAPE, REEL	2-31397-1
⑥ ④ 1000	LOOSE PIECE	31397

**AMP INCORPORATED**  
**CUSTOMER SERVICE SYSTEM**

FOR ADDITIONAL PRODUCT INFORMATION OR COPIES OF DRAWINGS AND TECHNICAL DOCUMENTS: PRODUCT INFORMATION CENTER 1-800-522-6752

FOR APPLICATION TOOLING INFORMATION: TOOLING ASSISTANCE CENTER 1-800-722-1111

FOR ORDER ENTRY: 1-800-526-5142

MAX RECOMMENDED OPERATING TEMPERATURE:  
 170°C [338°F]

VOLTAGE RATING:  
 -

CIRCULAR MIL AREA:  
 0.26mm<sup>2</sup>-1.65mm<sup>2</sup> [509-3260]

THIS DRAWING IS A CONTROLLED DOCUMENT FOR AMP INCORPORATED. IT IS SUBJECT TO CHANGE AND THE CONTROLLING ENGINEERING ORGANIZATION SHOULD BE CONTACTED FOR THE LATEST REVISION.

DIMENSIONS:	TOLERANCES UNLESS OTHERWISE SPECIFIED:
mm [in]	
	0 PLC ±-
	1 PLC ±-
	2 PLC ±0.20 [.008]
	3 PLC ±-
	4 PLC ±-
ANGLES	±-
MATERIAL: BODY, CU, SLV, CU PER ASTM B152	FINISH: SEE NOTE

DWN: L OLMEDA 23JAN95	<b>AMP</b> AMP Incorporated Harrisburg, PA 17105-3608
CHK: M ELLIS 23JAN95	
APVD: S BORTNER 23JAN95	
PRODUCT SPEC: UL486A	
APPLICATION SPEC: -	NAME: TERMINAL, RING, DIAMOND GRIP™ WIRE SIZE, 22-16 AWG
WEIGHT: -	SIZE: A3 CAGE CODE: 00779 DRAWING NO: C-31397
CUSTOMER DRAWING	SCALE: 6:1 SHEET: 1 OF 1 REV: E

单击下面可查看定价，库存，交付和生命周期等信息

[>>TE Connectivity\(泰科\)](#)