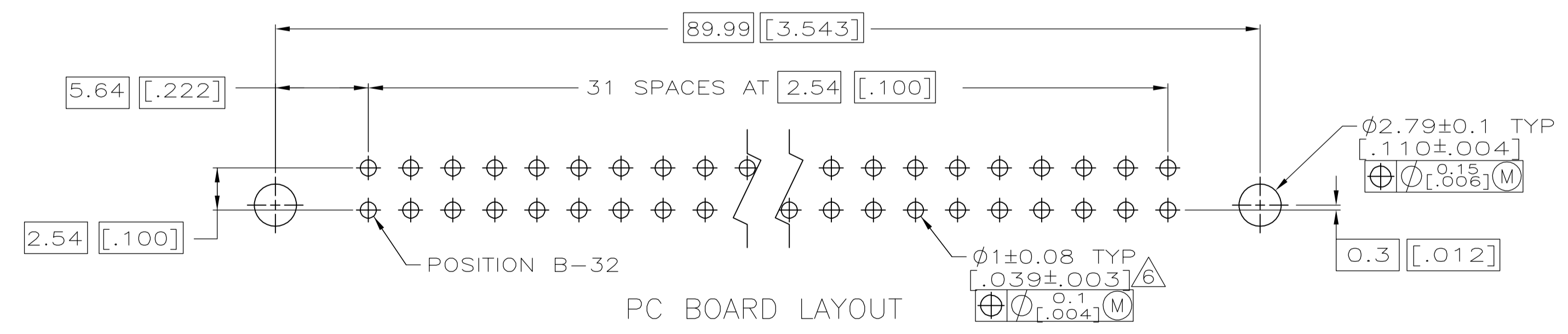
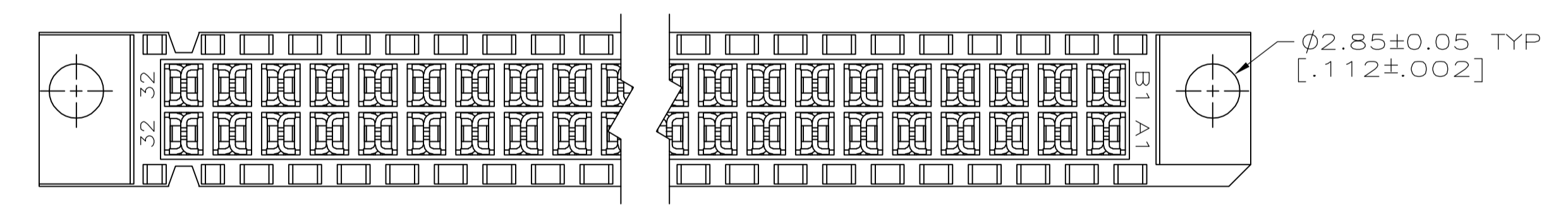
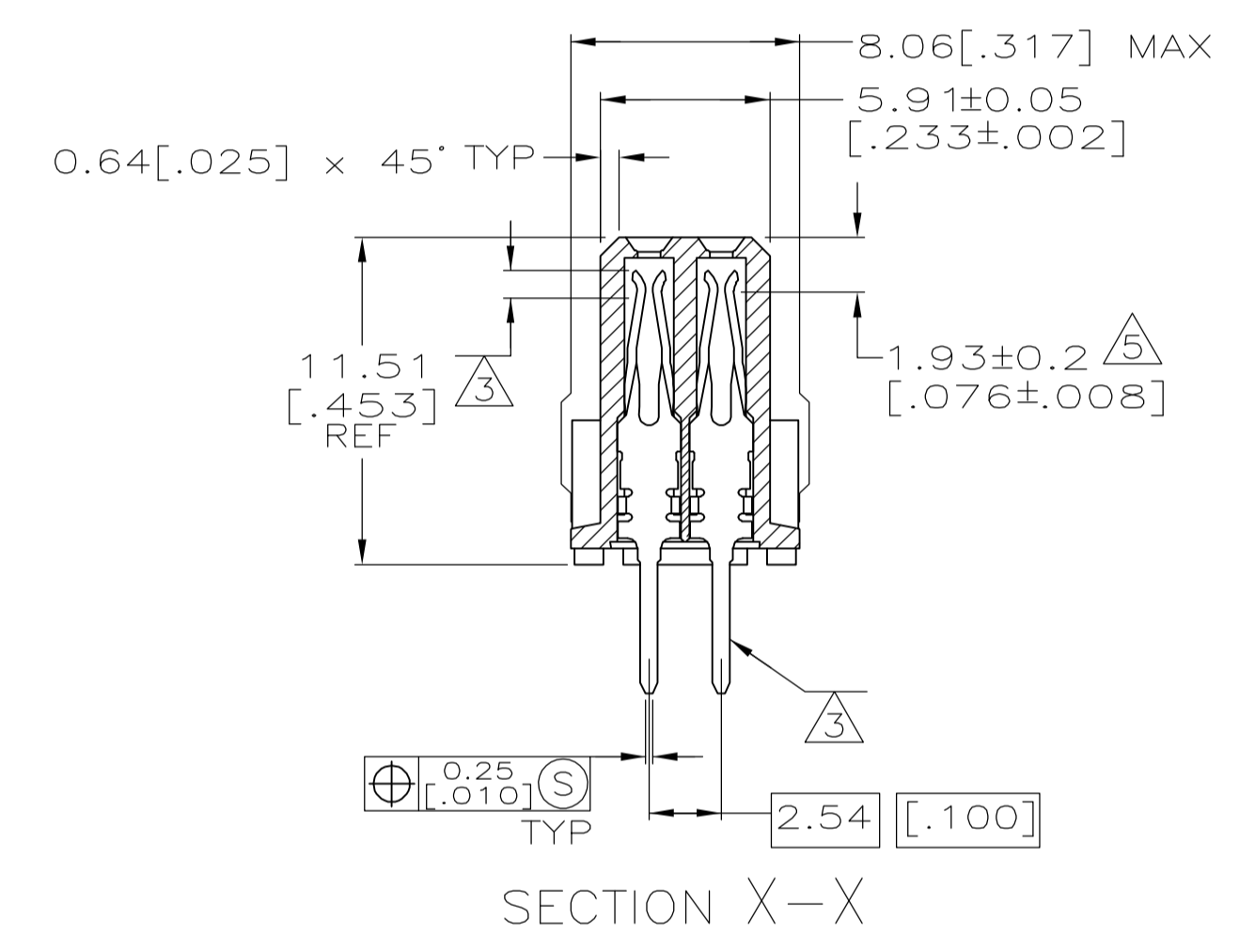
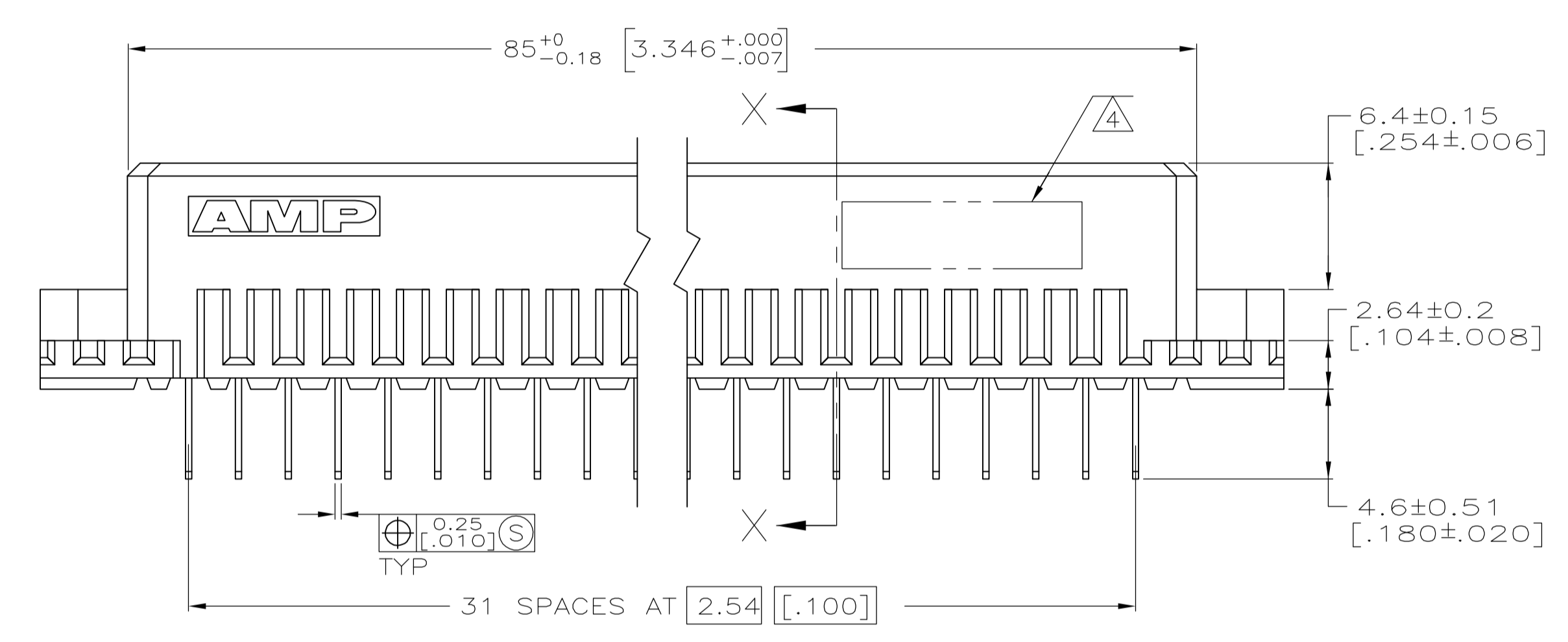
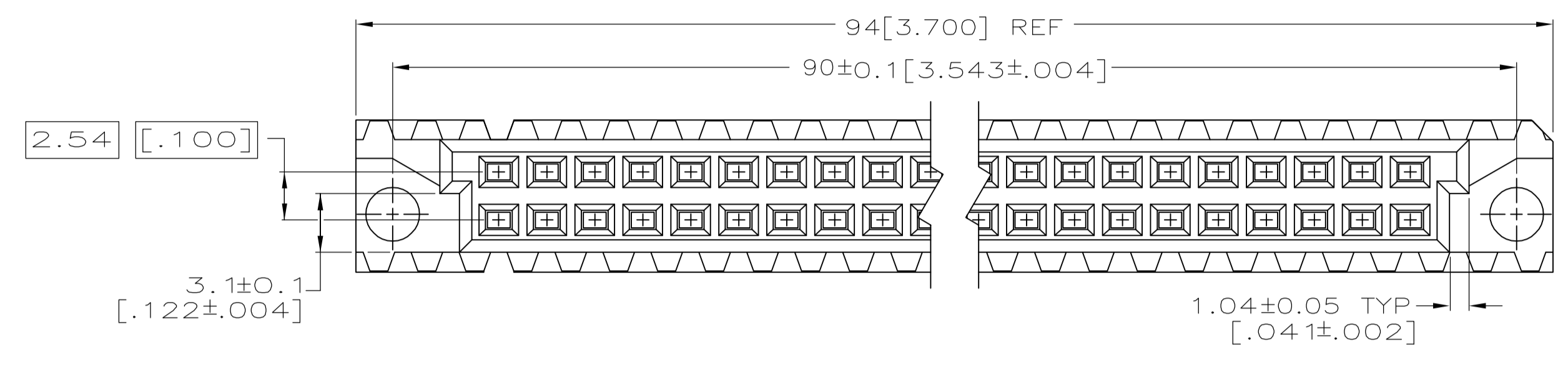


- ① HOUSING MATERIAL: GLASS-FILLED POLYMER.
- ② CONTACT MATERIAL: COPPER ALLOY.
- ③ CONTACT FINISH: DIN 41612 CLASS 2 IN CONTACT AREA. TIN PLATE ON POSTS.
- ④ PART NUMBER, DATE CODE IDENTIFICATION, CSA LOGO IN THIS APPROXIMATE AREA, ON REVERSE SIDE.
- ⑤ CONTACT POINT.
- ⑥ RECOMMENDED HOLE SIZE FOR MANUAL APPLICATION OF CONNECTOR ONTO PC BOARD.



| | | | | |
|------------------|-------------|---|-------------------------|------------------|
| 1 THRU 32 | X | X | 64 | 5650861-5 |
| 1 THRU 32 | X | X | 64 | 5650861-4 |
| POSITIONS LOADED | B | A | NO. OF LOADED POSITIONS | ASSY PART NUMBER |
| | ROWS LOADED | | | |

| | | | | | |
|--|-----|--|--------------|---|-----------------|
| THIS DRAWING IS A CONTROLLED DOCUMENT. | | DIN J. POLIGNONE 03JUN05 | | Tyco Electronics Corporation Harrisburg, Pa 17105-3608 | |
| DIMENSIONS: mm [INCHES] | | TOLERANCES UNLESS OTHERWISE SPECIFIED: | | APVD A. SHARPE 03JUN05 | |
| 0 PLC | ± - | 1 PLC | ± - | NAME ASSEMBLY, RECEPTACLE, EUROCARD, TYPE B, LEAD-FREE, 64 POSITION, 4.57 [.180] SOLDER POSTS | |
| 2 PLC | ± - | 3 PLC | ± 0.1 [.005] | APPLICATION SPEC | |
| 4 PLC | ± - | ANGLES | ± - | SIZE A1 | CAGE CODE 00779 |
| MATERIAL | ① ② | FINISH | ③ | DRAWING NO. C=5650861 | RESTRICTED TO |
| CUSTOMER DRAWING | | | SCALE 4:1 | SHEET 1 OF 1 | REV 0 |

单击下面可查看定价，库存，交付和生命周期等信息

[>>TE Connectivity\(泰科\)](#)