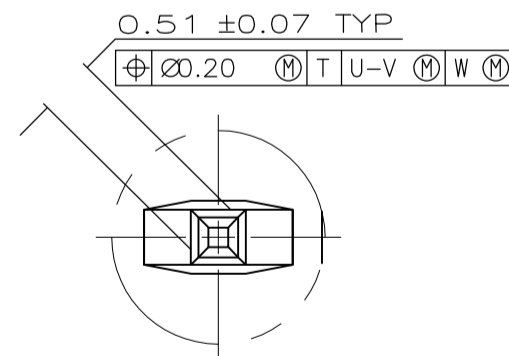
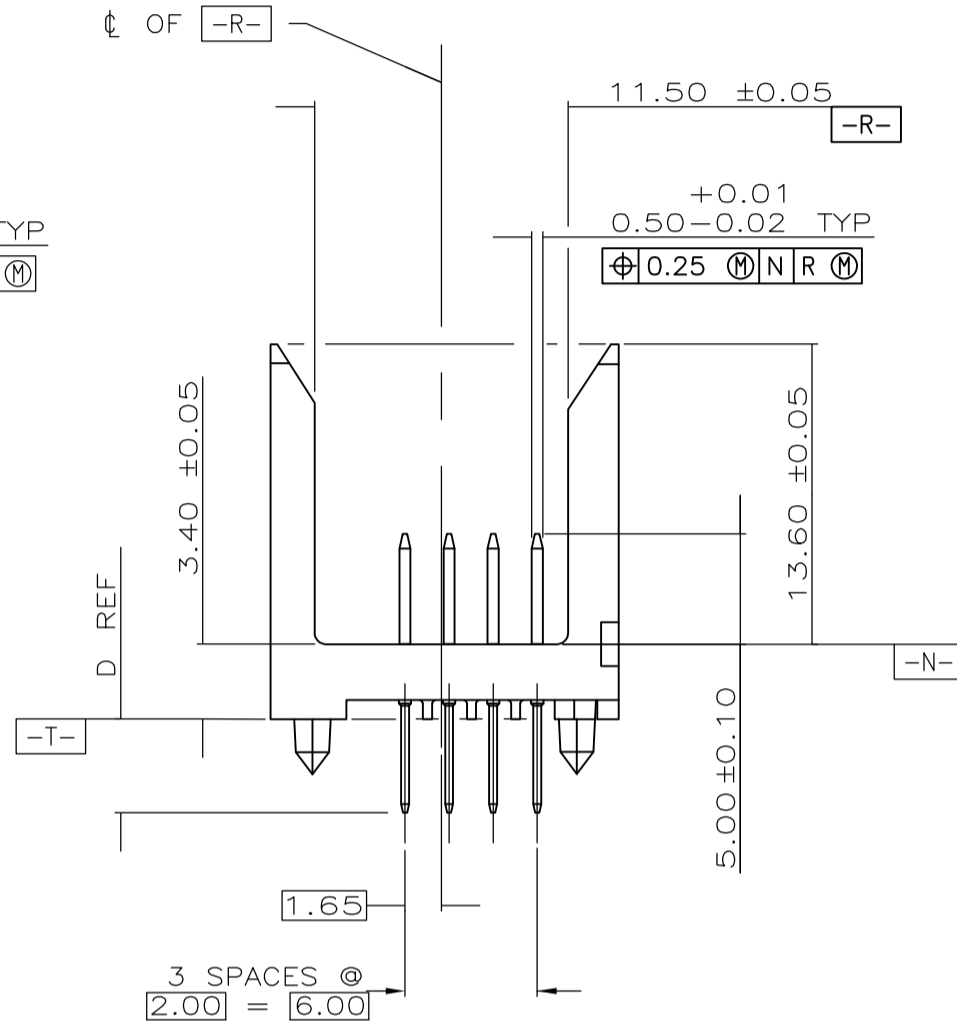
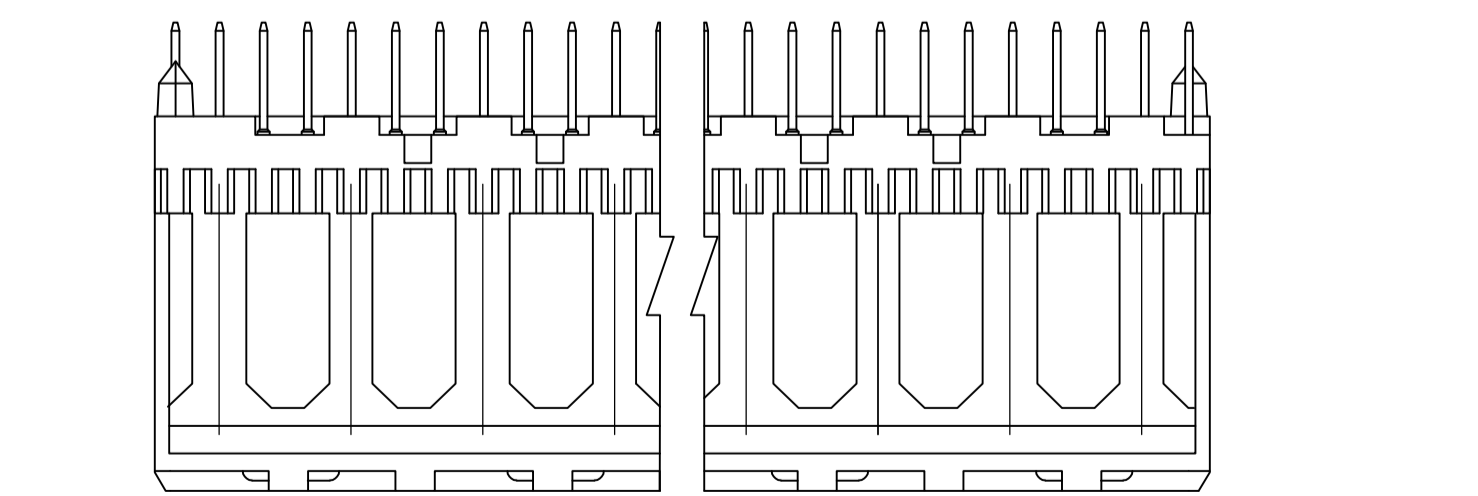
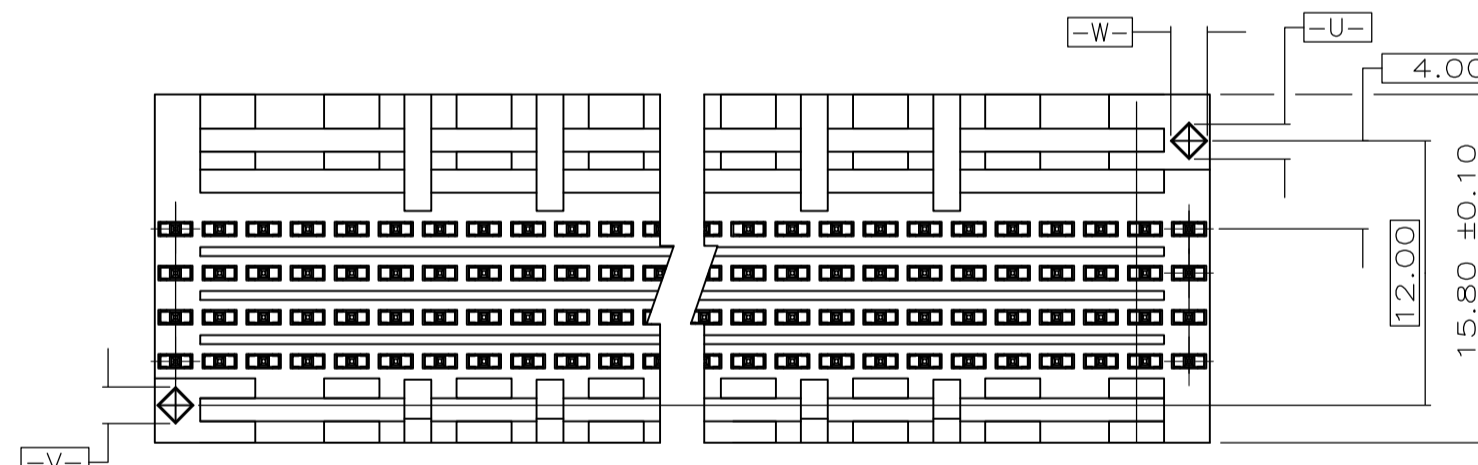
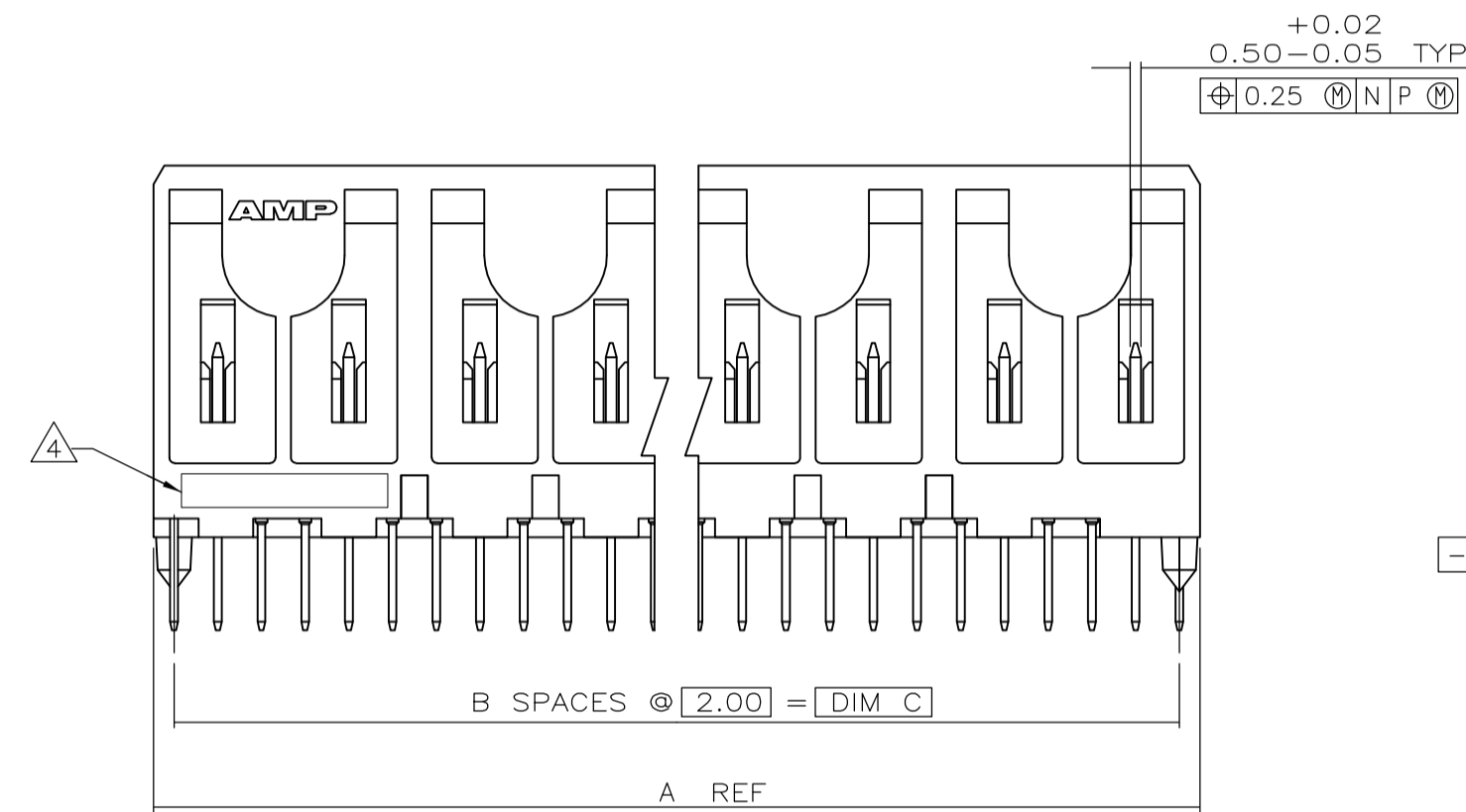
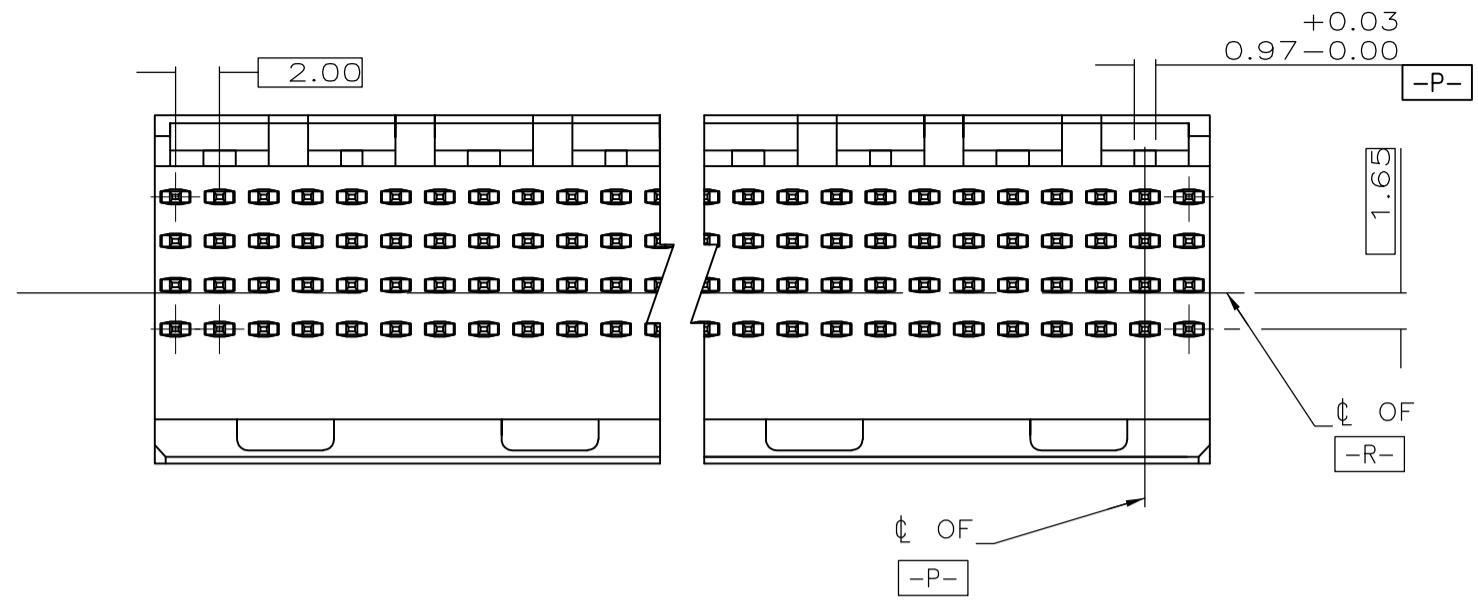


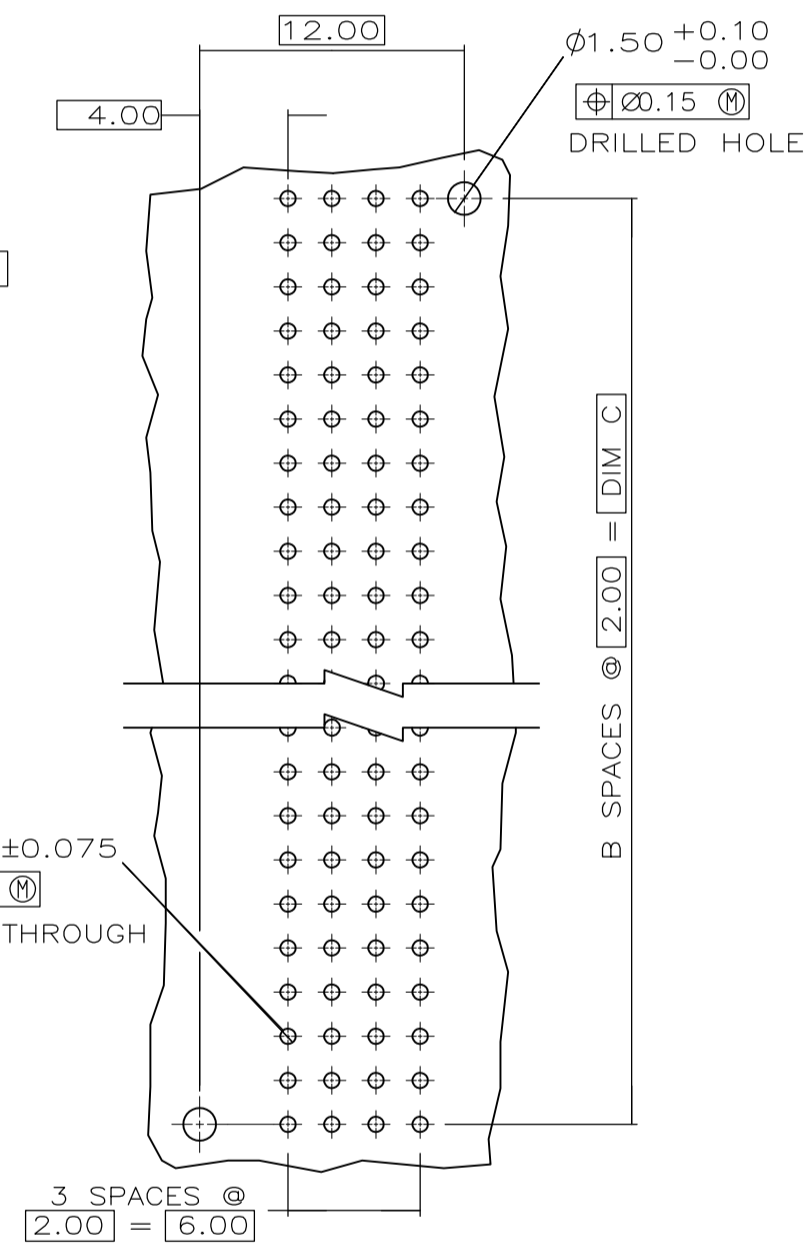
THIS DRAWING IS UNPUBLISHED. RELEASED FOR PUBLICATION
 © COPYRIGHT BY TYCO ELECTRONICS CORPORATION. ALL INTERNATIONAL RIGHTS RESERVED.

LOC		DIST		REVISIONS			
P	LTR	DESCRIPTION	DATE	DWN	APVD		
AD	47	M1	REVISED PER ECO-08-019086	05DEC08	DH	AS	



DETAIL Z
SCALE 20:1

- 1 HOUSING MATERIAL: LIQUID CRYSTAL POLYMER PER ASTM D5138 LCPO00 G30A 32250.
- 2 CONTACT MATERIAL: PHOSPHOR BRONZE.
- 3 CONTACT FINISH:
 UNDERPLATE (ENTIRE CONTACT):
 0.00127 MIN NICKEL.
 ON MATING SURFACES:
 CONFORMS TO ALL TESTING SPECIFIED FOR TELCORDIA
 UNCONTROLLED ENVIRONMENT.
 ON LEADS
 0.00381 MIN TIN-LEAD OVER UNDERPLATE.
 LUBRICATION (ENTIRE CONTACT):
 SURFACE CONDITIONER PER AMP SPEC 112-1002 AFTER PLATING.
- 4 PART MARKING PER AMP INCORPORATED SPECIFICATION 115-9009, LOCATED APPROXIMATELY AS SHOWN.



RECOMMENDED CIRCUIT PATTERN
 PER IPC-D300 TYPE II, CLASS C
 (COMPONENT SIDE)

4.25	70.00	35	71.88	3	144	536513-5
4.25	94.00	47	95.88	3	192	536513-4
4.25	46.00	23	47.88	3	96	536513-3
4.25	22.00	11	23.88	3	48	536513-2
4.25	10.00	5	11.88	3	24	536513-1
D	C	B	A	FINISH	NO OF POSN	NUMBER

THIS DRAWING IS A CONTROLLED DOCUMENT.		DWN	D.R.BENDER	04/01/93	Tyco Electronics Corporation Harrisburg, PA 17105-3608	
DIMENSIONS: mm		CHK	S.HEADER	04/05/93	NAME PIN ASSEMBLY, SIGNAL MODULE, Z-PACK 2mm FB 2mm	
TOLERANCES UNLESS OTHERWISE SPECIFIED: 0 PLC ± - 1 PLC ± - 2 PLC ± 0.13 3 PLC ± - 4 PLC ± - ANGLES ± -		APVD	D.BAFCHTLE	04/02/93	PRODUCT SPEC	
MATERIAL		APPLICATION SPEC	-		SIZE	A2
FINISH		WEIGHT	-		CAGE CODE	00779
1 2		3		DRAWING NO	C=536513	
CUSTOMER DRAWING				SCALE	4:1	SHEET
				RESTRICTED TO	-	
				1 of 1	REV	M1

单击下面可查看定价，库存，交付和生命周期等信息

[>>TE Connectivity\(泰科\)](#)