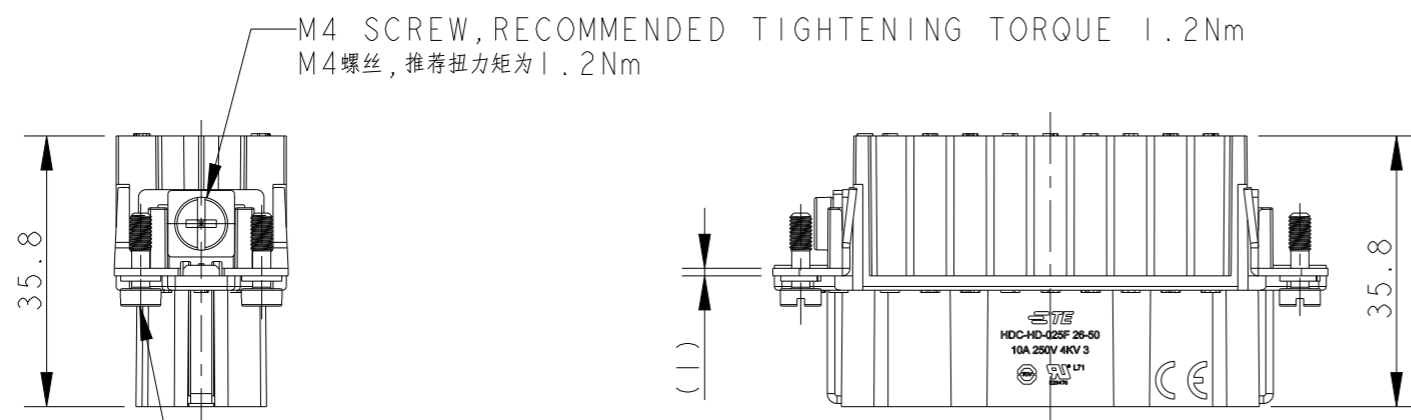
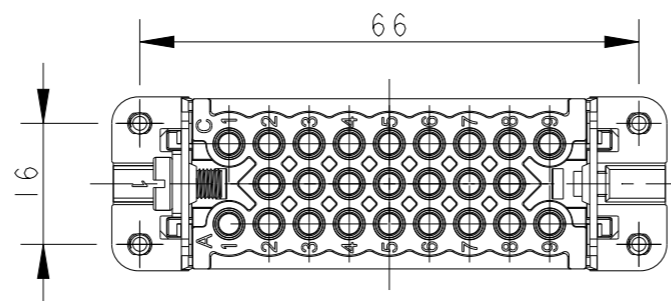
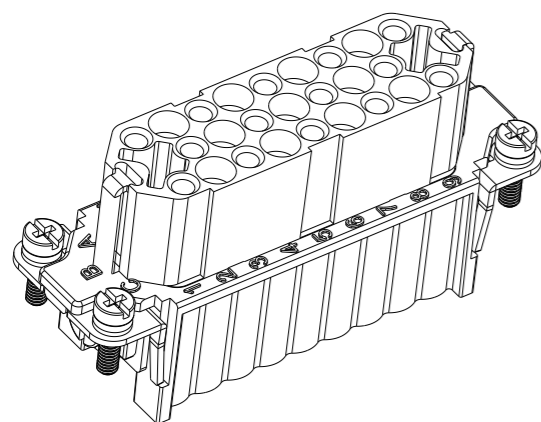
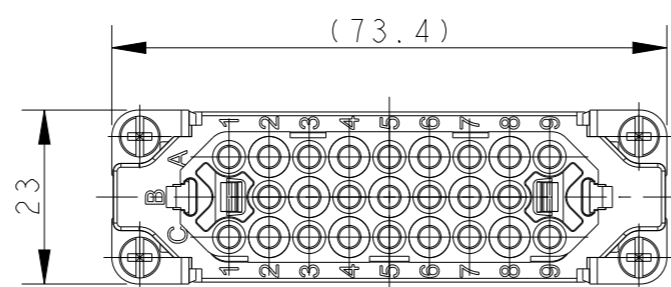


REVISIONS

P	LTR	DESCRIPTION	DATE	DWN	APVD
A		INITIAL RELEASE	29NOV2016	YC	CW
B		ECR-21-105750	30JUN2021	BS	CW



4X M3 SCREW, RECOMMENDED TIGHTENING TORQUE 0.5Nm  
4X M3螺丝, 推荐扭力矩为0.5Nm

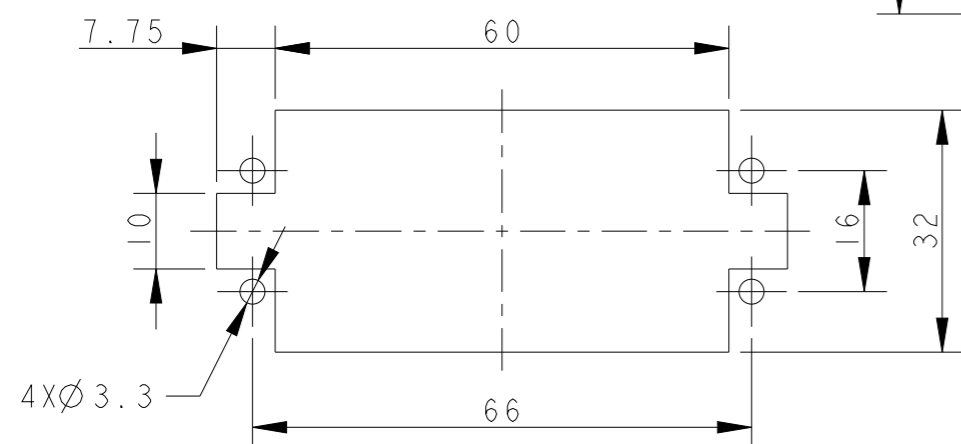


NOTES:

- TECHNICAL CHARACTERISTICS:  
INSULATION MATERIAL: PC  
RATED VOLTAGE: 250 V  
RATED CURRENT: 10 A  
INSULATION RESISTANCE: >=400MΩ  
RATED IMPULSE VOLTAGE: 4 KV  
POLLUTION DEGREE: 3  
FLAMMABILITY: UL94V-0  
MATING CYCLES: 500 CYCLES  
WIRE RANGE: 0.14-2.5 mm<sup>2</sup> (26-14 AWG)  
CONTACT TYPE: CRIMP CONTACT
- CONTACT NEED TO BE ORDERED SEPARATELY.  
(ORDER No. REFER TO DRAWING: T20200X20XX000)

注释:

- 技术参数:  
绝缘材料: PC  
额定电压: 250V  
额定电流: 10A  
绝缘电阻: >=400MΩ  
额定脉冲电压: 4 KV  
污染等级: 3  
阻燃等级: UL94V-0  
插拔次数: 500次  
接线范围: 0.14-2.5 mm<sup>2</sup> (26-14 AWG)  
接线类型: 冷压接
- 端子需要单独订购。  
(订货号参考图面: T20200X20XX000)



PANEL CUT OUT DIMENSION FOR INSERT  
WITHOUT HOODS/HOUSING, ONLY FOR REFERENCE  
不使用防护外壳时芯件的开孔安装尺寸, 仅供参考

THIS DRAWING IS A CONTROLLED DOCUMENT.

DIMENSIONS:	TOLERANCES UNLESS OTHERWISE SPECIFIED:
mm	
0 PLC	±-
1 PLC	±-
2 PLC	±-
3 PLC	±-
4 PLC	±-
ANGLES	±-
MATERIAL	FINISH
-	-

DWN	29NOV2016
YORK CHEN	
CHK	29NOV2016
KYLE ZENG	
APVD	29NOV2016
CHRIS WANG	
PRODUCT SPEC	108-137042
APPLICATION SPEC	114-137042
WEIGHT	-
Customer Drawing	

T2020502201-000	HD-025-F 26-50	HD-025 FEMALE INSERT 26-50 HD-025 母插 26-50
PART NUMBER 料号	PART DESCRIPTION 描述	
<b>STE</b> TE Connectivity		
NAME HD-025-F 26-50		
SIZE	CAGE CODE	DRAWING NO
A3	00779	T2020502201000
RESTRICTED TO	-	
SCALE	SHEET	OF
1:1	1	1
REV	B	

单击下面可查看定价，库存，交付和生命周期等信息

[>>TE Connectivity\(泰科\)](#)