

P	LTR	DESCRIPTION	DATE	DWN	APVD
	D1	REVISED PER ECR-21-002411	25FEB2021	RZ	RS

NOTES:

- 1 PACKAGE ONE COMPLETE CONNECTOR IN HEAT SEALED, LABELED BAG/ 250 PCS PER SHIPPING BOX. LABELED PER TEC-107-115
- 2 100 TRAY PACK IN ACCORDANCE WITH AMP SPEC 107-3275
- 3 Au PLATING
- 4 Ni PLATING
- 5 PASSIVATION
- 6 THIS ITEM MUST BE WHITE

7 HAND TOOL : 9-1478240-0

8 DIE SET : 9-1478245-0

9 ELECTRICAL CHARACTERISTICS

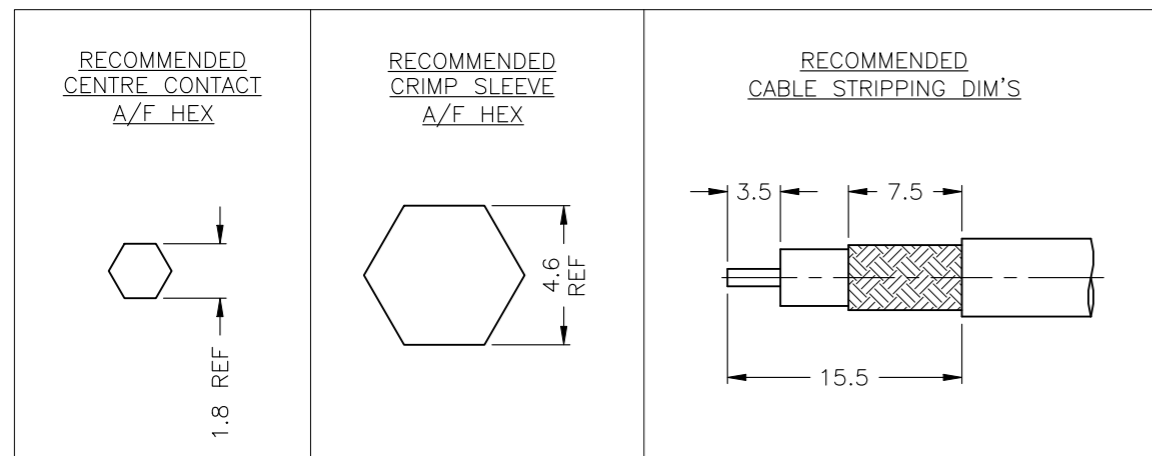
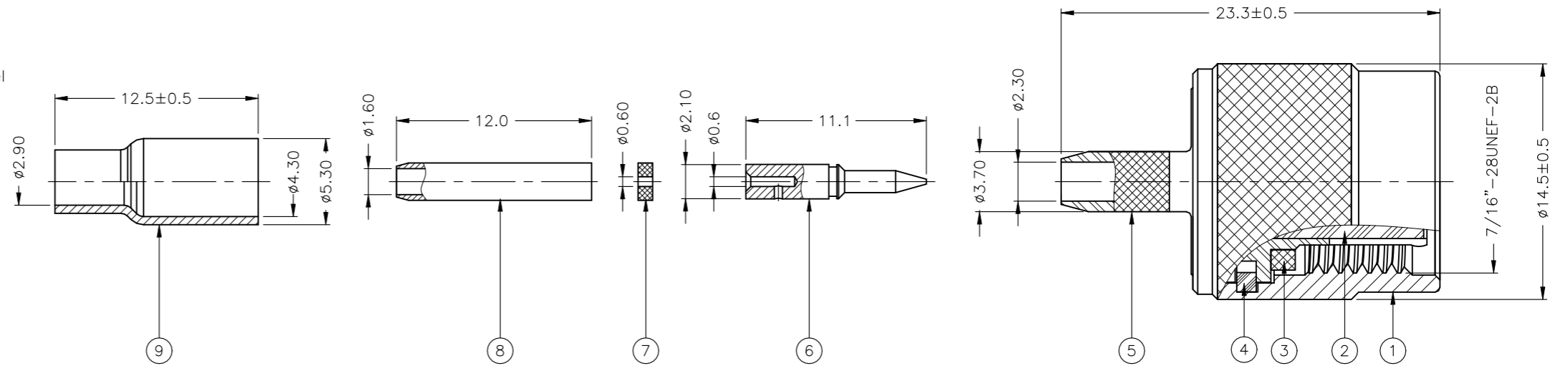
FREQUENCY RANGE: DC - 11 GHz
 NOMINAL IMPEDANCE: 50 Ohm
 INSULATION RESISTANCE: 5000 MOhm
 WORKING VOLTAGE: 500 Volts RMS at Sea Level
 DIELECTRIC WITHSTAND VOLTAGE: 1500 Volts RMS Max
 CONTACT RESISTANCE:
 CENTRE CONTACT: 1.50 mOhm Max
 OUTER CONTACT: 1.00 mOhm Max
 VSWR @ 4GHz: 1.30:1 Max
 INSERTION LOSS dB @ 3 GHz: 0.20 Max

10 MECHANICAL CHARACTERISTICS

COUPLING NUT RETENTION FORCE: 266 N Min
 CABLE RETENTION FORCE: 43.5 N Min
 DURABILITY: 500 Cycles Min

11 ENVIRONMENTAL CHARACTERISTICS

OPERATING TEMPERATURE: -65 to +165 DegC



QTY	UNIT	MATERIAL	FINISH	DESCRIPTION	ITEM
1	1	BRASS	4	FERRULE	9
1	1	BRASS	4	SLEEVE	8
1	1	PTFE		DIELECTRIC II	7
1	1	BRASS	3	CENTER CONTACT	6
1	1	BRASS	4	BODY	5
1	1	STAINLESS STEEL	5	CIRCLIP	4
1	1	SILICON RUBBER	6	GASKET	3
1	1	PTFE		DIELECTRIC I	2
1	1	BRASS	4	COUPLING NUT	1
6--0	1--0	MATERIAL		DESCRIPTION	ITEM
QUANTITY PER ASSY		PARTS LIST			

THIS DRAWING IS A CONTROLLED DOCUMENT.

DWN J.SANDWELL 15FEB06
 CHK S.PARLOW 15FEB06
 APVD F.WHEELER-KING 15FEB06

STE TE Connectivity Ltd.

NAME: TNC STRAIGHT PLUG CRIMP 50 OHM
 RG174A/U, 188A/U, 316/U, URM95, KX3B, KX22A

PRODUCT SPEC: 108-112000

APPLICATION SPEC: -

SIZE: A3 CAGE CODE: 00779 DRAWING NO: C-1337611 RESTRICTED TO: -

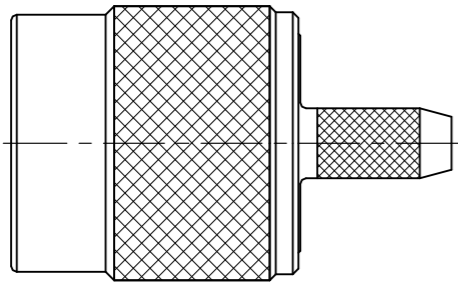
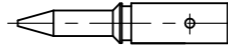

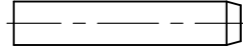
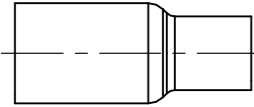
MATERIAL: SEE TABLE FINISH: - WEIGHT: -

CUSTOMER DRAWING SCALE: NTS SHEET: 1 OF 2 REV: D1

REVISIONS

P	LTR	DESCRIPTION	DATE	DWN	APVD
-	-	SEE TABLE 1	-	-	-

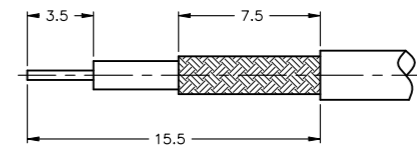
COMPONENTS

MAIN BODY (ITEM 1, 2, 3, 4, 5)	CENTER CONTACT (ITEM 6)	DIELECTRIC (ITEM 7)	SLEEVE (ITEM 8)	FERRULE (ITEM 9)
				

ASSEMBLY INSTRUCTIONS

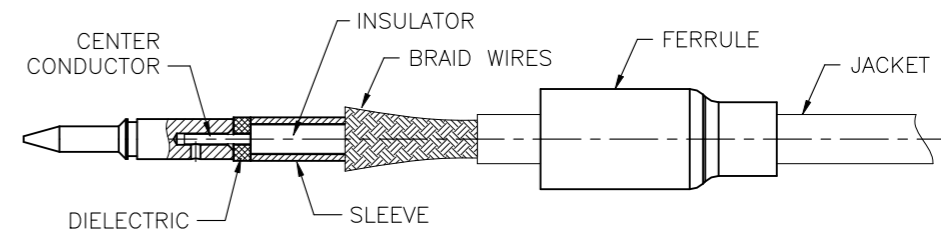
STEP 1: PREPARATION OF CABLE

1. TRIM CABLE TO DIMENSIONS SHOWN. BE CAREFUL TO AVOID NICKING THE BRAID.
2. REMOVE ANY RESIDUAL PLASTIC FROM CENTER CONDUCTOR.



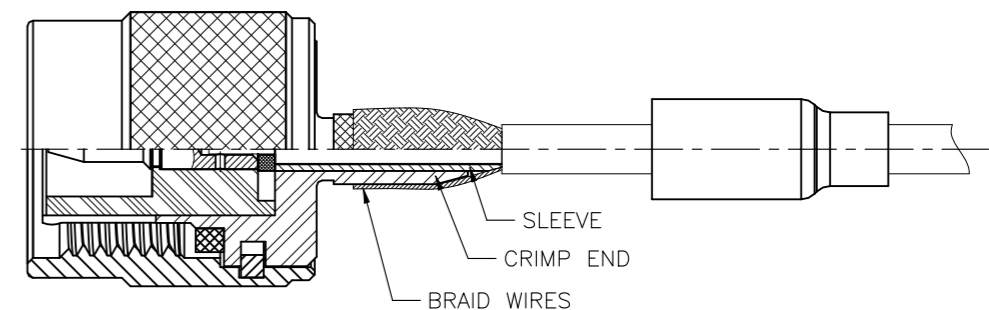
STEP 2: ASSEMBLE FERRULE, SLEEVE, DIELECTRIC AND CENTER CONTACT

1. SLIDE FERRULE ONTO THE JACKET OF CABLE.
2. SLIDE SLEEVE ONTO THE INSULATOR OF CABLE AND FLARE THE BRAID WIRES ON SLEEVE.
3. SLIDE DIELECTRIC ONTO THE CENTER CONDUCTOR OF CABLE.
4. SOLDERING OR CRIMP CENTER CONTACT WITH CABLE.



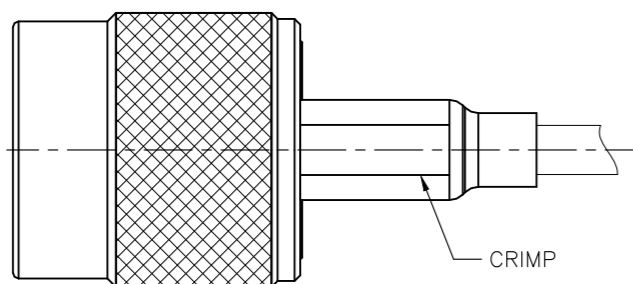
STEP 3: ASSEMBLY WITH BODY

1. INSERT STEP 2 CABLE ASSEMBLY INTO CONNECTOR BODY AND FLARE THE BRAID WIRES ON THE CRIMP END OF BODY.

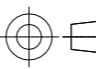


STEP 4: CRIMP FERRULE

1. SLIDE FERRULE ON THE BRAID WIRES AND CRIMP FERRULE.



THIS DRAWING IS A CONTROLLED DOCUMENT.

DIMENSIONS: mm	TOLERANCES UNLESS OTHERWISE SPECIFIED:
	0 PLC ± -
	1 PLC ± 0.2
	2 PLC ± 0.1
	3 PLC ± -
	4 PLC ± -
	ANGLES ± -
MATERIAL SEE TABLE	FINISH -

DWN J.SANDWELL	15FEB06
CHK S.PARLOW	15FEB06
APVD F.WHEELER-KING	15FEB06
PRODUCT SPEC	-
APPLICATION SPEC	-
WEIGHT	-
CUSTOMER DRAWING	



NAME TNC STRAIGHT PLUG CRIMP 50 OHM RG174A/U, 188A/U, 316/U, URM95, KX3B, KX22A			
SIZE A3	CAGE CODE 00779	DRAWING NO C-1337611	RESTRICTED TO -
SCALE NTS	SHEET 2 OF 2	REV D1	

单击下面可查看定价，库存，交付和生命周期等信息

[>>TE Connectivity\(泰科\)](#)