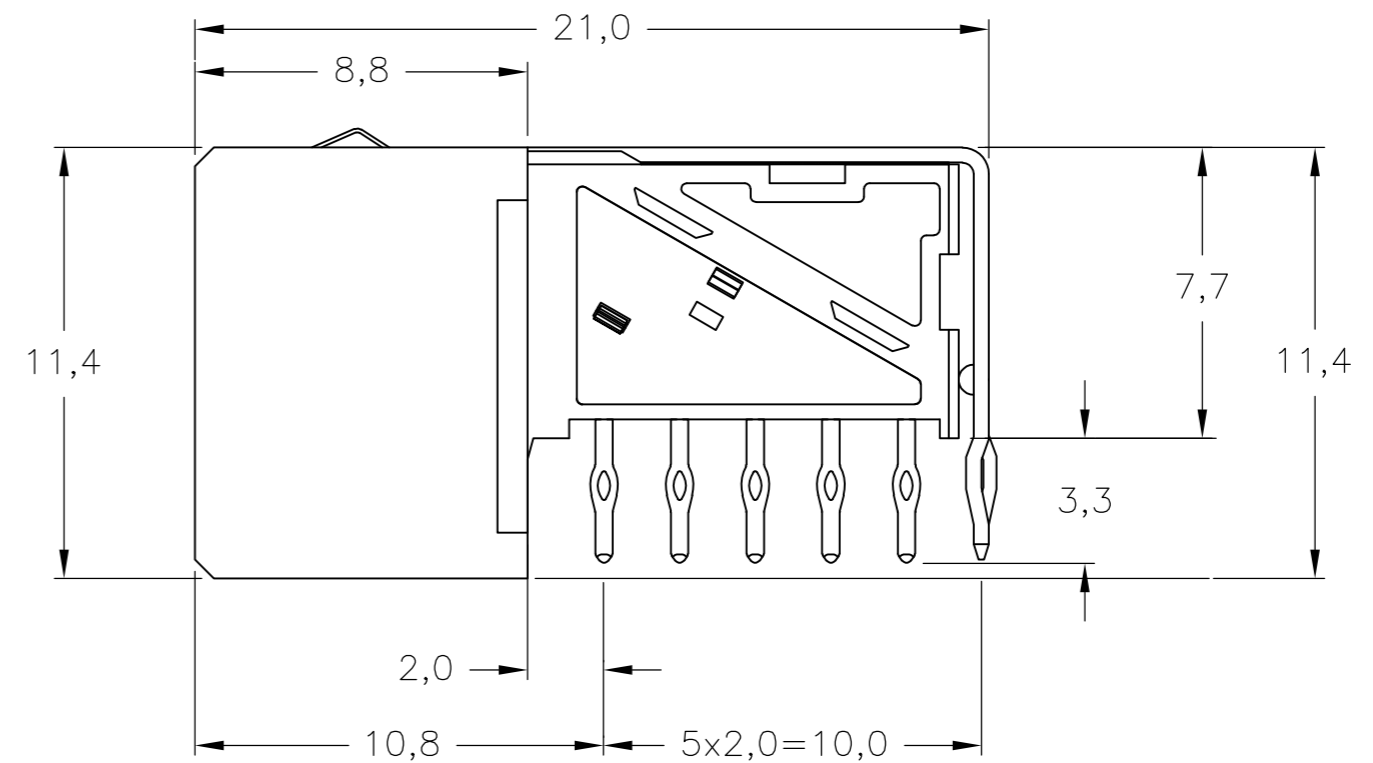
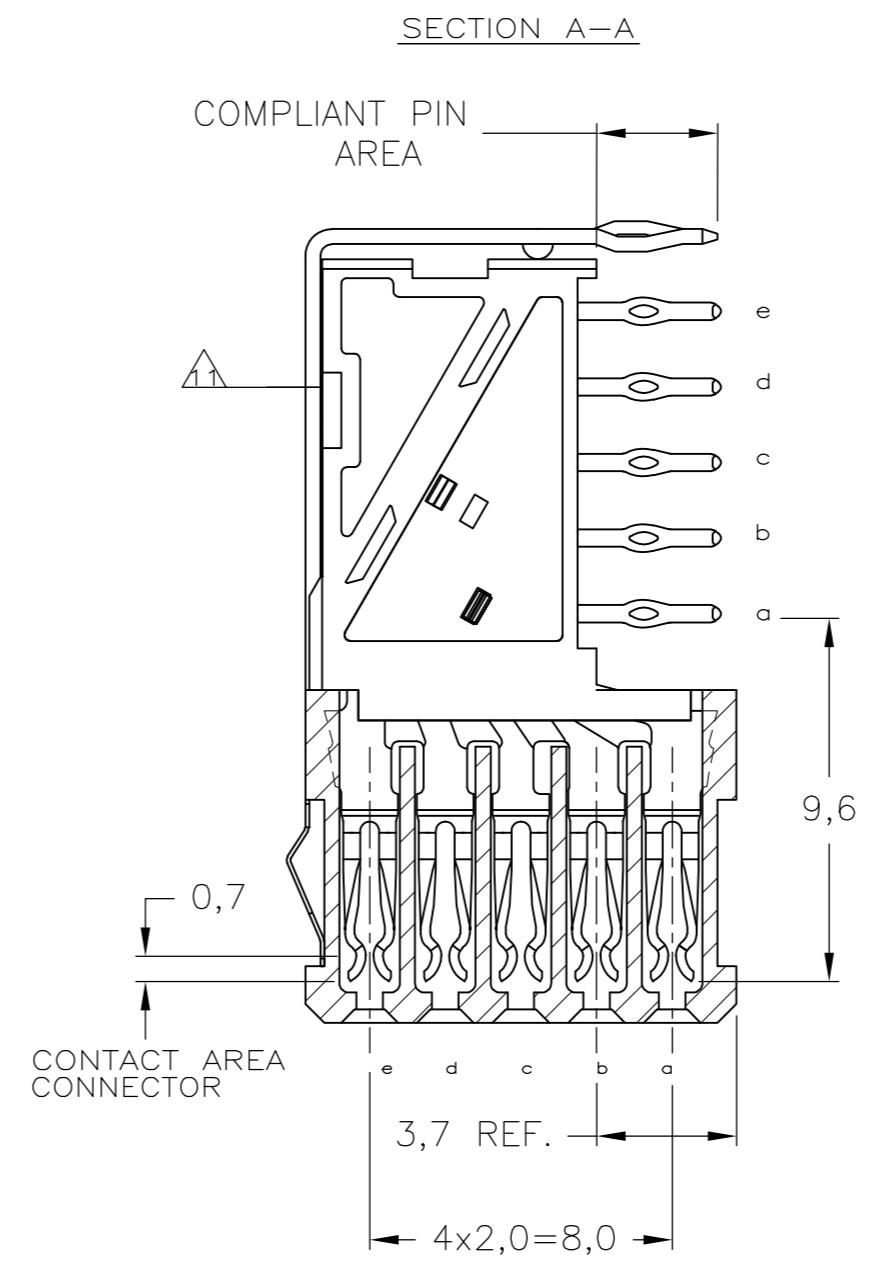
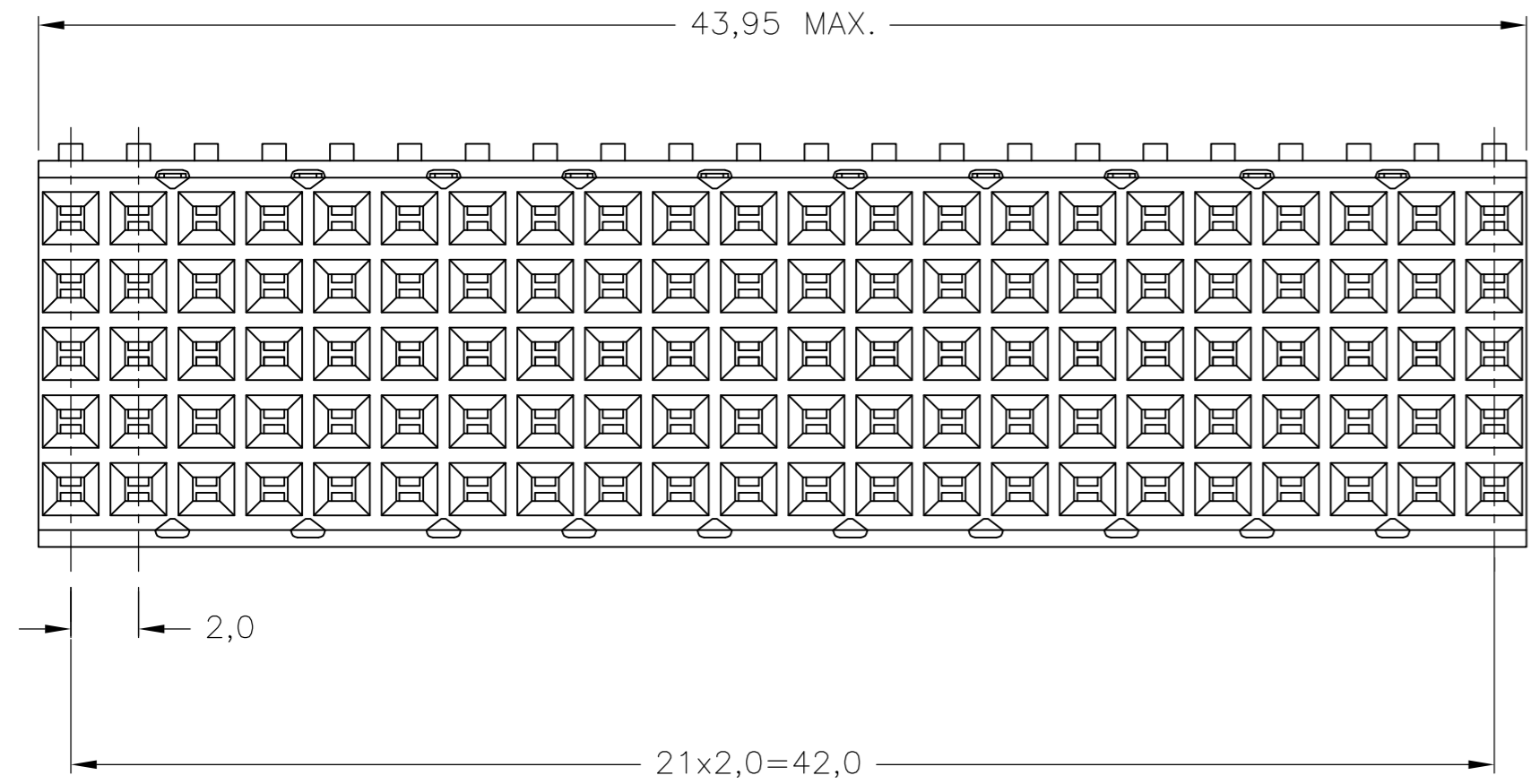
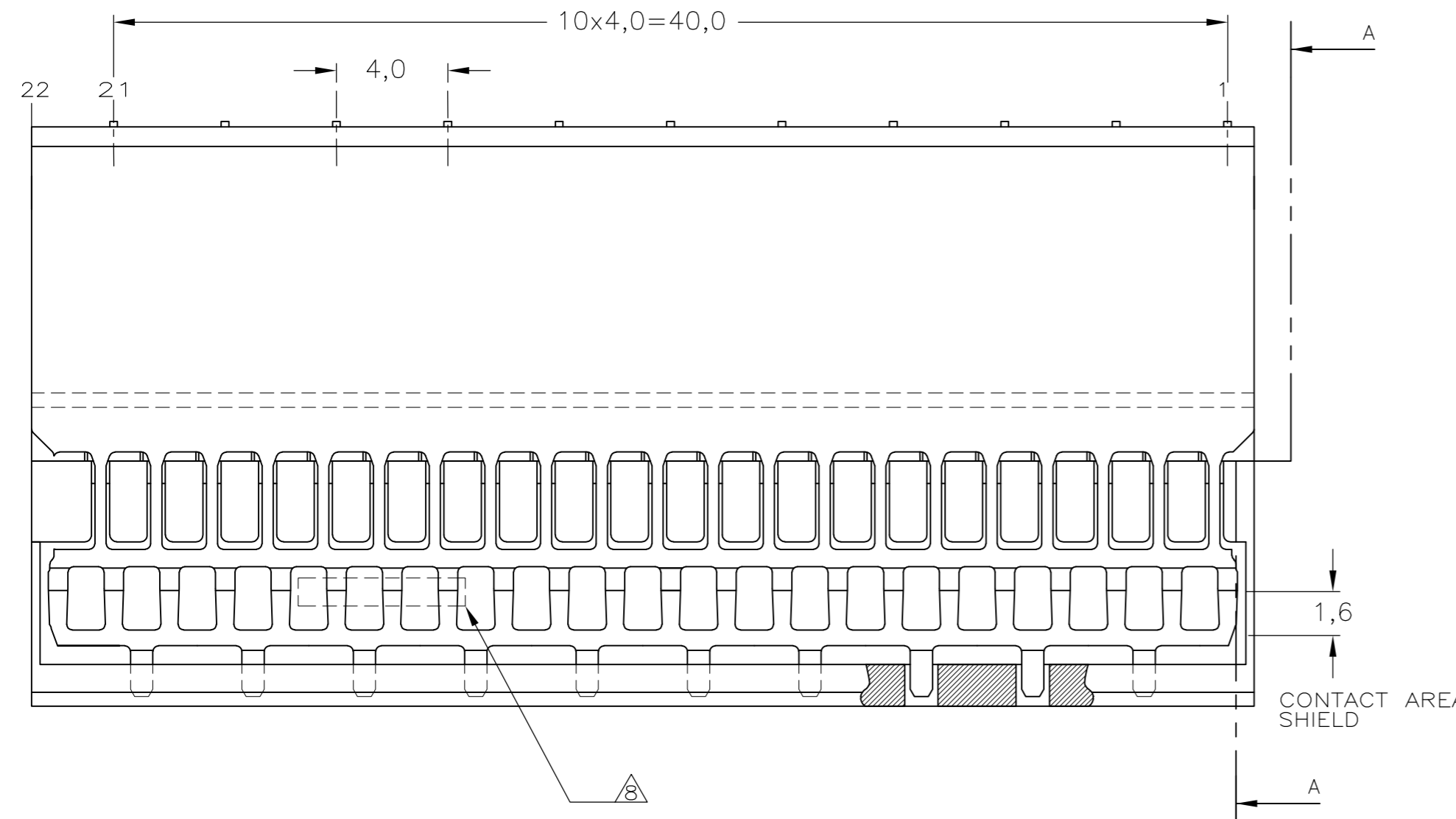


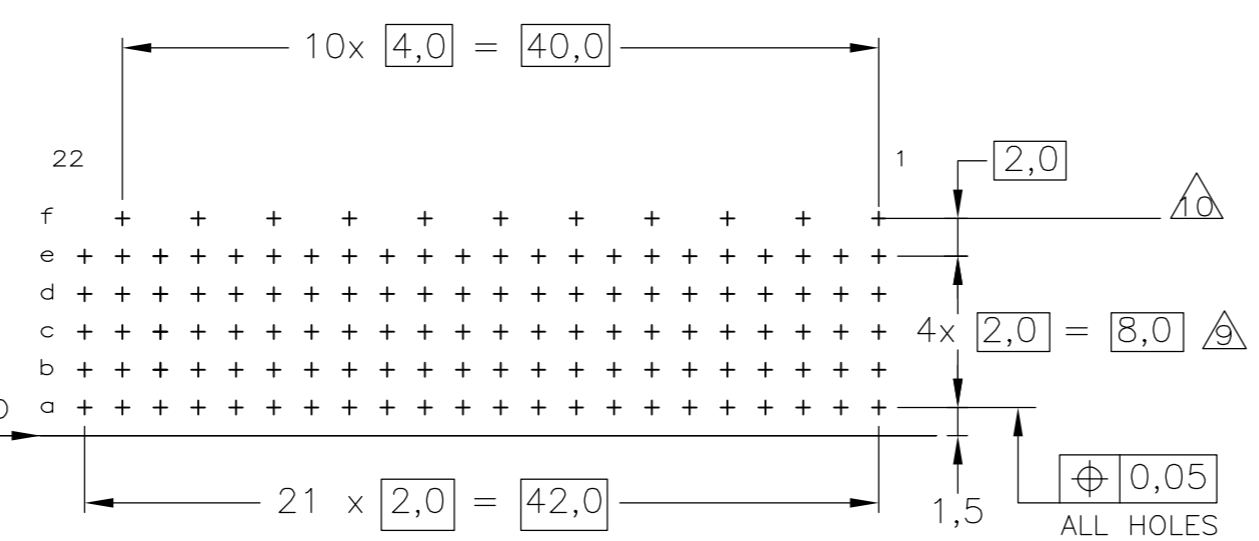
THIS DRAWING IS UNPUBLISHED. RELEASED FOR PUBLICATION  
 © COPYRIGHT BY TYCO ELECTRONICS CORPORATION. ALL RIGHTS RESERVED.

LOC		DIST		REVISIONS			
P	LTR	DESCRIPTION	DATE	DWN	APVD		
A1		ECR-07-024984	19OCT2007	JvH	JB		
B		ECR-10-018652	10SEP10	SW	MQW		
C		ECO-11-024491	13DEC11	SY	MQW		



- NOTES:
- ⚠ MATERIAL CONTACTS; PHOSPHORBRONZE
  - ⚠ MATERIAL HOUSING; GLASSFILLED POLYESTER (GRAY)
  - ⚠ GENERAL PLATING SPECIFICATION: UNDERPLATING (ENTIRE CONTACT): 1,27μm NICKEL MIN. AND COMPLIANT PIN SECTION: 0,5μm TIN MIN. FOR PLATING OF MATING SURFACES SEE APPLICABLE SPECIFICATION REFERENCE FOR EACH DASH NUMBER.
  - ⚠ CONFORMS TO ALL TESTING ACCORDING IEC 61076-4-101 PERFORMANCE LEVEL 2.
  - ⚠ CONFORMS TO ALL TESTING ACCORDING IEC 61076-4-101 PERFORMANCE LEVEL 1.
  - ⚠ CONNECTOR TESTED AND QUALIFIED AGAINST TELCORDIA GR-1217-CORE QUALITY LEVEL III, CENTRAL OFFICE APPLICATIONS.
  - ⚠ CONNECTOR LUBRICATED WITH TELCORDIA GR-1217-CORE APPROVED LUBRICANT.
  - ⚠ PLATING SHIELD: μm Au MIN.
  - ⚠ CONTACT AREA: 0,76
  - ⚠ COMPLIANT PIN SECTION: 0,5μm Sn MIN.
  - ⚠ REMAINDER : Ni
  - ⚠ ASSEMBLY PRINTED WITH P/N AND DATECODE
  - ⚠ THE MARKING CAN APPEAR ON THE FRONT SIDE OR BACK SIDE.
  - ⚠ HOLE PATTERN FOR FEMALE CONNECTOR TYPE B-22 COLUMNS 110 PLATED-THROUGH HOLES AT 2x2mm SQUARE GRID
  - ⚠ ROW "f" 11 PLATED THROUGH HOLES FOR UPERSHIELD
  - ⚠ SHIELD MOUNTED ON CONNECTOR WITH DOUBLE SIDED ADHESIVE TAPE OR ADHESIVE.
  - 12 BASIC P.N. LOWERSHIELD : 5352468.

COMPONENT SIDE AS SHOWN  
 RECOMMENDED PCB-HOLE LAY-OUT  
 SCALE 2,5:1



P.C.B. HOLE DIM. COMPLIANT PIN  
 FOR DETAILS SEE  
 APPLICATION SPECIFICATION

THIS DRAWING IS A CONTROLLED DOCUMENT.		DWN	J.van Hoek	23AUG2007	Tyco Electronics Corporation	
DIMENSIONS: mm		CHK	B.Mooij	23AUG2007	's-Hertogenbosch,5222AR-32	
TOLERANCES UNLESS OTHERWISE SPECIFIED:		APVD	J.Broeksteeg	23AUG2007	NAME	
0-PLC ±		PRODUCT SPEC		Z-PACK 2mm HM		
1-PLC ±		APPLICATION SPEC		TYPE B - 22 COLUMNS		
2-PLC ±		WEIGHT		PRE-SHIELDED RECEPTACLE		
3-PLC ±		CUSTOMER DRAWING		SIZE CAGE CODE DRAWING NO RESTRICTED TO		
4-PLC ±		SCALE 5:1		A2 00779 C=1857997		
ANGLES ±		SHEET 1 OF 1		REV C		
FINISH		REV C				

单击下面可查看定价，库存，交付和生命周期等信息

[>>TE Connectivity\(泰科\)](#)