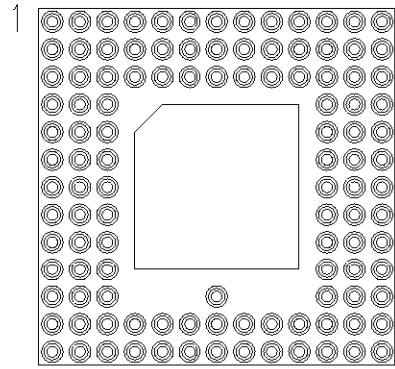
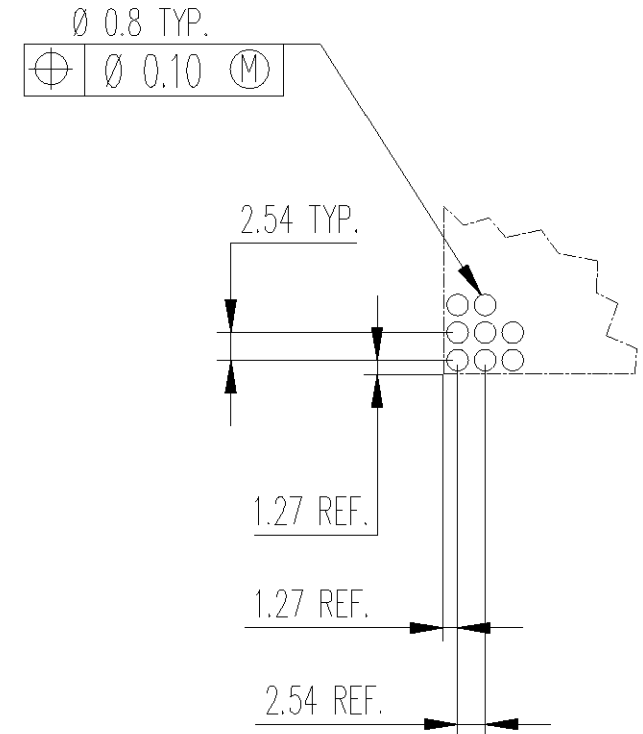
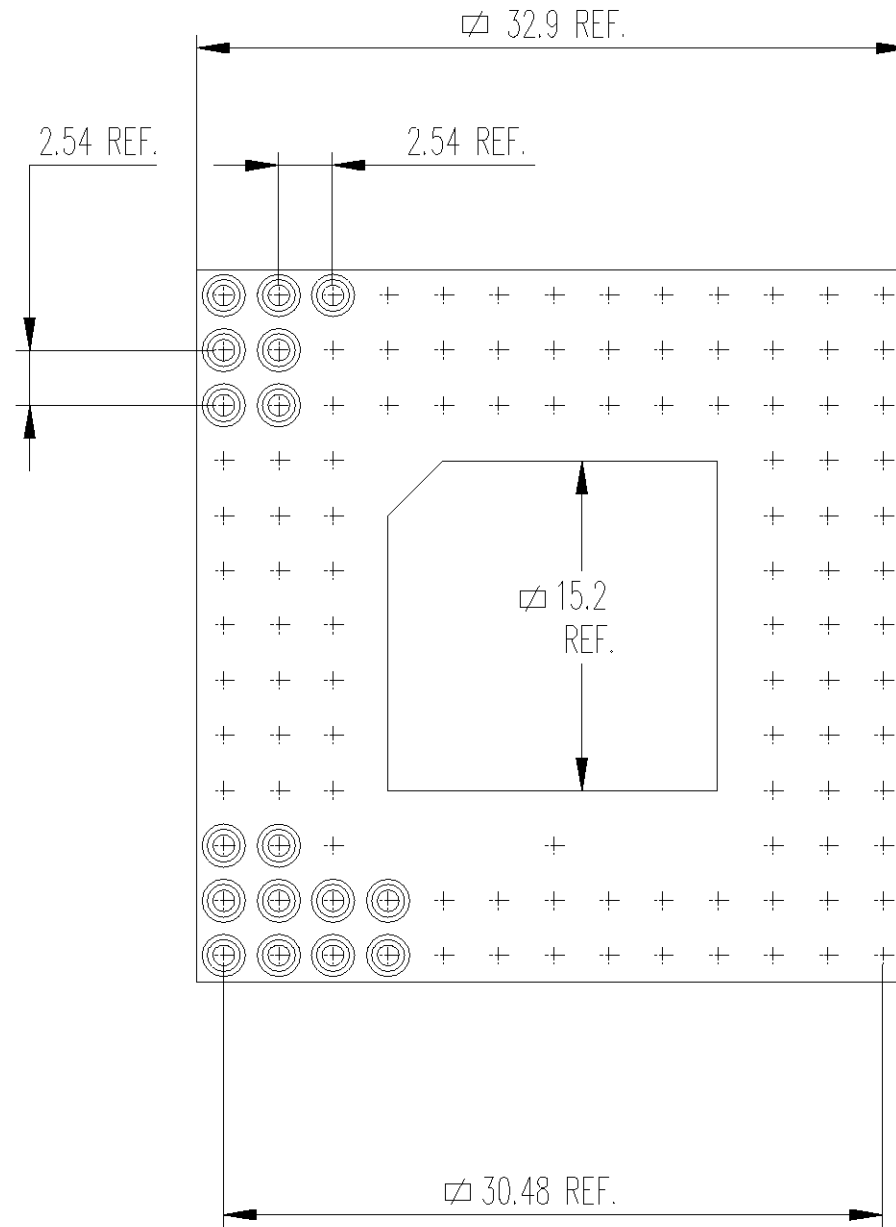
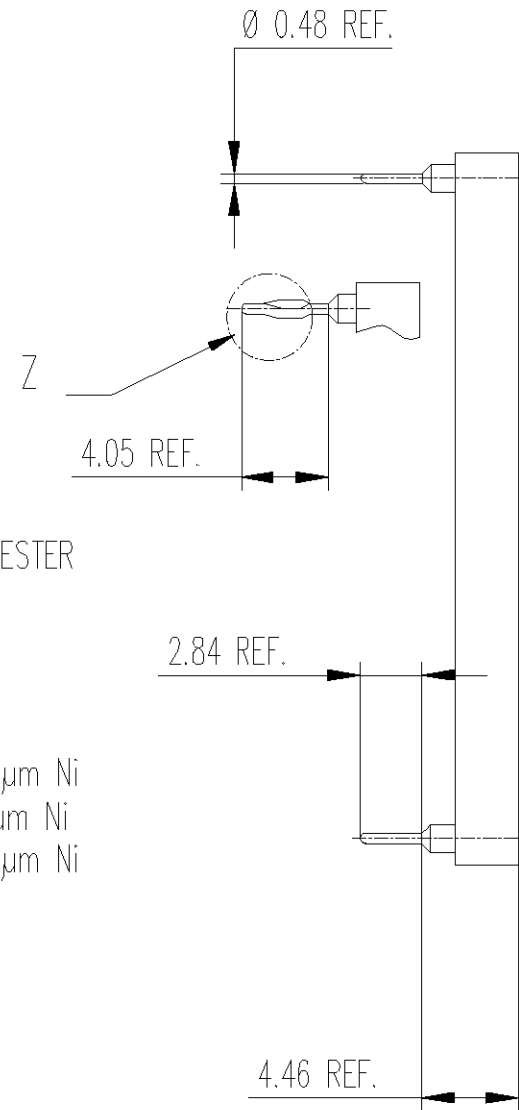


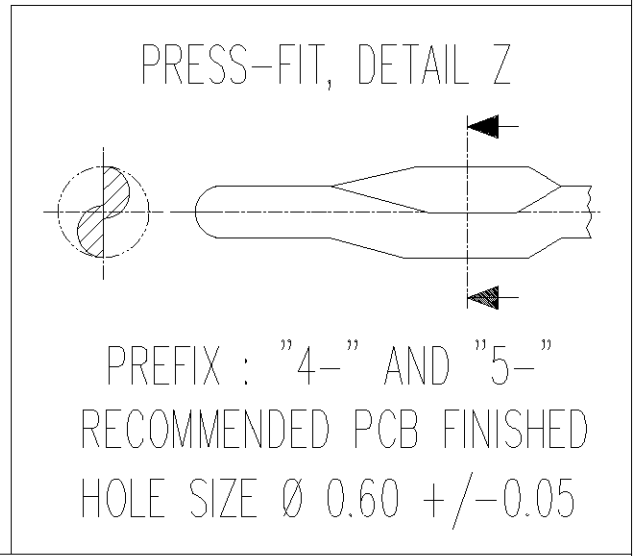
DRAWING NO
C - 210223



114 positions
Ech. 1:1



RECOMMENDED P.C.
BOARD PATTERN
Ech. 1:1



- NOTE :
- MATERIAL
 - INSULATOR : GLASSFILLED THERMOPLASTIC POLYESTER
 - SOLDER TAIL SLEEVE : BRASS
 - PRESS-FIT SLEEVE : PHOSPHOR BRONZE
 - CLIP : STAMPED BERYLLIUM COPPER
 - SLEEVE PLATING:
 - PREFIX "0-" AND "2-": 5µm Sn/Pb OVER 2-3µm Ni
 - PREFIX "1-" AND "3-": 0.25µm Au OVER 2-3µm Ni
 - PREFIX "4-" AND "5-": 3µm Sn/Pb OVER 2-3µm Ni
 - INNER CONTACT PLATING
 - SUFFIX "-1" 0.25µm 18c. Au
 - SUFFIX "-3" 0.75µm 18c. Au
 - SUFFIX "-4" 0.75µm 24c. Au
 - SUFFIX "-5" 5µm MIN. Sn/Pb **
 - SUFFIX "-6" 0.1µm FLASH 24c. Au
 - ** ONLY WITH PREFIX "0-", "2-", "4-" AND "5-"
 - INNER SPRING CONTACT ACCEPT Ø 0.40 TO 0.56
OR RECTANGULAR PIN 0.25 x 0.45
 - INSERTION CHARACTERISTICS:
 - PREFIX "0-", "1-" AND "4-": VERY LOW FORCE
 - PREFIX "2-", "3-" AND "5-": ULTRA LOW FORCE
 - MECHANICAL DATA WITH A Ø 0.43 TEST PIN :

	VI	UI
-MAX. INSERTION FORCE :	0.7N	0.2N
-MIN. EXTRACTION FORCE :	0.1N	0.05N
-MECHANICAL LIFE : 100 CYCLES MIN.		

DIMENSIONS	mm							DRAWN P.-A. MEIER 05 FEB 99	THIS INFORMATION IS CONFIDENTIAL AND IS DISCLOSED TO YOU ON CONDITION THAT NO FUTHER DISCLOSURE IS MADE BY YOU TO OTHER THAN AMP PERSONNEL WITHOUT WRITTEN AUTHORIZATION FROM DSM SWITZERLAND.				
								CHECKED A. BOLIS 05 FEB 99					
SURFACE TEXTURE	✓ (✓)							APPROVED	NAME OPEN FRAME PGA 13 x 13, 114 SOCKETS				
CONCENTRICITY	◎	02	EW00-0014-02	E. BRESSOUD	30 JAN 02	H. CACHOD	CUSTOMER DRAWING						
PRODUCT SPEC.		P	REV	ECN	DRWN	DATE	APVD	FOR REFERENCE ONLY					
DSM DECOLLETAGE SA SAINT-MAURICE CH 1890 SAINT-MAURICE (VS)								LOC EK	SCALE 2/1	SIZE A4	DRAWING NO C - 210223	SHEET 1 of 1	REVISION 02

WAS 700-114-1-13-0-CC AND CCAP

单击下面可查看定价，库存，交付和生命周期等信息

[>>TE Connectivity\(泰科\)](#)