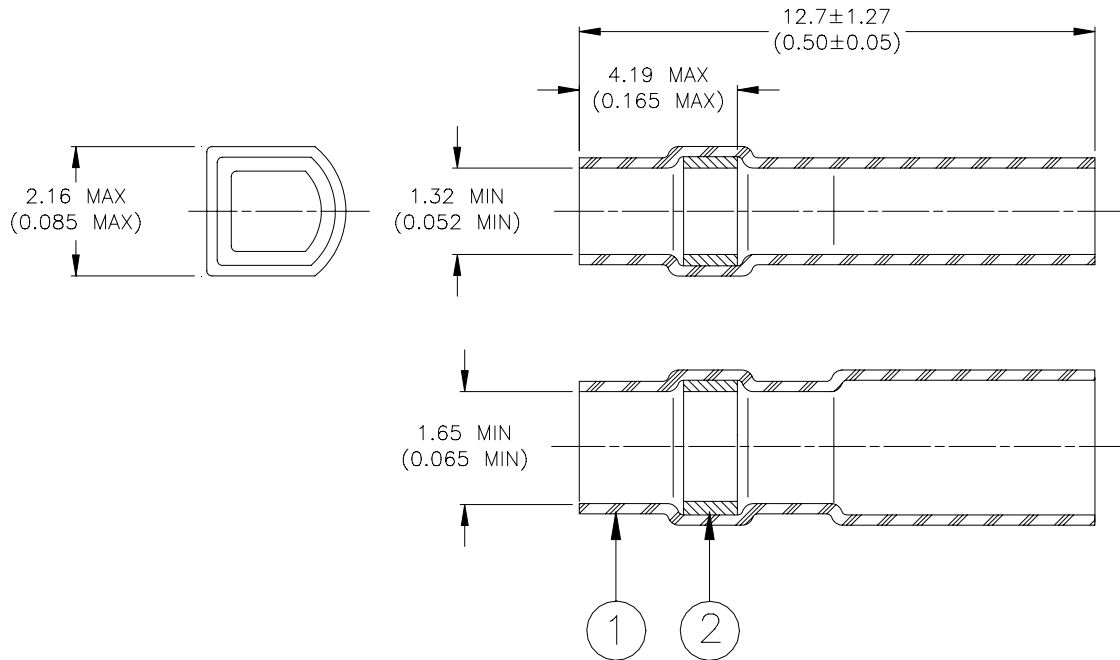


SPECIFICATION CONTROL DRAWING



MATERIALS

1. INSULATION SLEEVE: Heat-shrinkable, transparent blue, radiation cross-linked modified thermoplastic.
2. SOLDER PREFORM WITH FLUX:
 SOLDER: TYPE Sn63 per ANSI J-STD-006.
 FLUX: TYPE ROL1 per ANSI-J-STD-004.

APPLICATION

1. This part is designed to be used in conjunction with a Raychem AS-4000 Wire Organization System to attach tin or silver plated wires to connector terminals.

Wire Accommodation:

- Jacket O.D.: 1.32 (0.052) max.
- Max. Wire Gauge: 24 - stranded
22 - solid

Connector Terminal:

- Max. Width: 1.27 (0.050)
- Min. Height: 4.45 (0.175)

2. Sleeve will recover to 0.76 (0.030) max. I.D.

3. This drawing forms part of Raychem Devices Specification Control Drawing D-704-0025.

Raychem Interconnect <small>a division of Tyco Electronics</small> 300 Constitution Drive Menlo Park, CA 94025, USA		THERMOFIT DEVICES	TITLE: (AS-4000) SOLDERSLEEVE WIRE TERMINATOR TAB TERMINAL				
UNLESS OTHERWISE SPECIFIED DIMENSIONS ARE IN MILLIMETERS. INCHES DIMENSIONS ARE BETWEEN BRACKETS.			DOCUMENT NO.: D-128-0010				
TOLERANCES: 0.00 N/A 0.0 N/A 0 N/A	ANGLES: N/A ROUGHNESS IN MICRON	Raychem reserves the right to amend this drawing at any time. Users should evaluate the suitability of the product for their application.	DCR NUMBER: D000537	REPLACES: N/A			
DRAWN BY: M. FORONDA	DATE: 14-Nov.-00	PROD. REV. D	DOC ISSUE: 1	SCALE: None	SIZE: A	SHEET: 1 of 1	

If this document is printed it becomes uncontrolled. Check for the latest revision.

单击下面可查看定价，库存，交付和生命周期等信息

[>>TE Connectivity\(泰科\)](#)