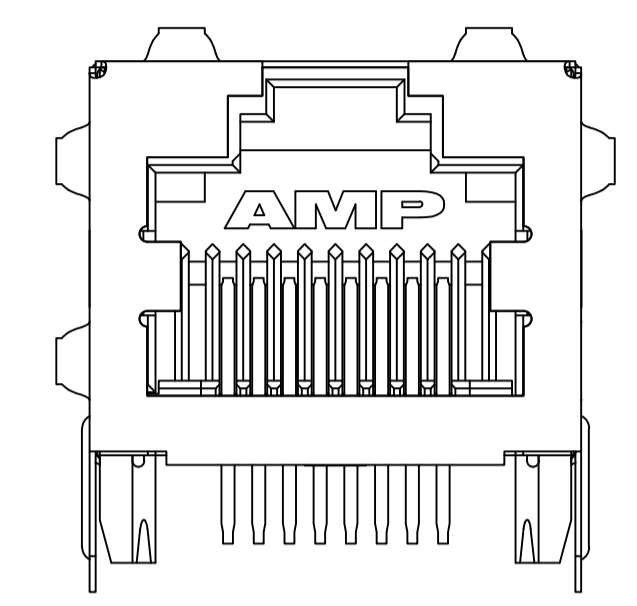
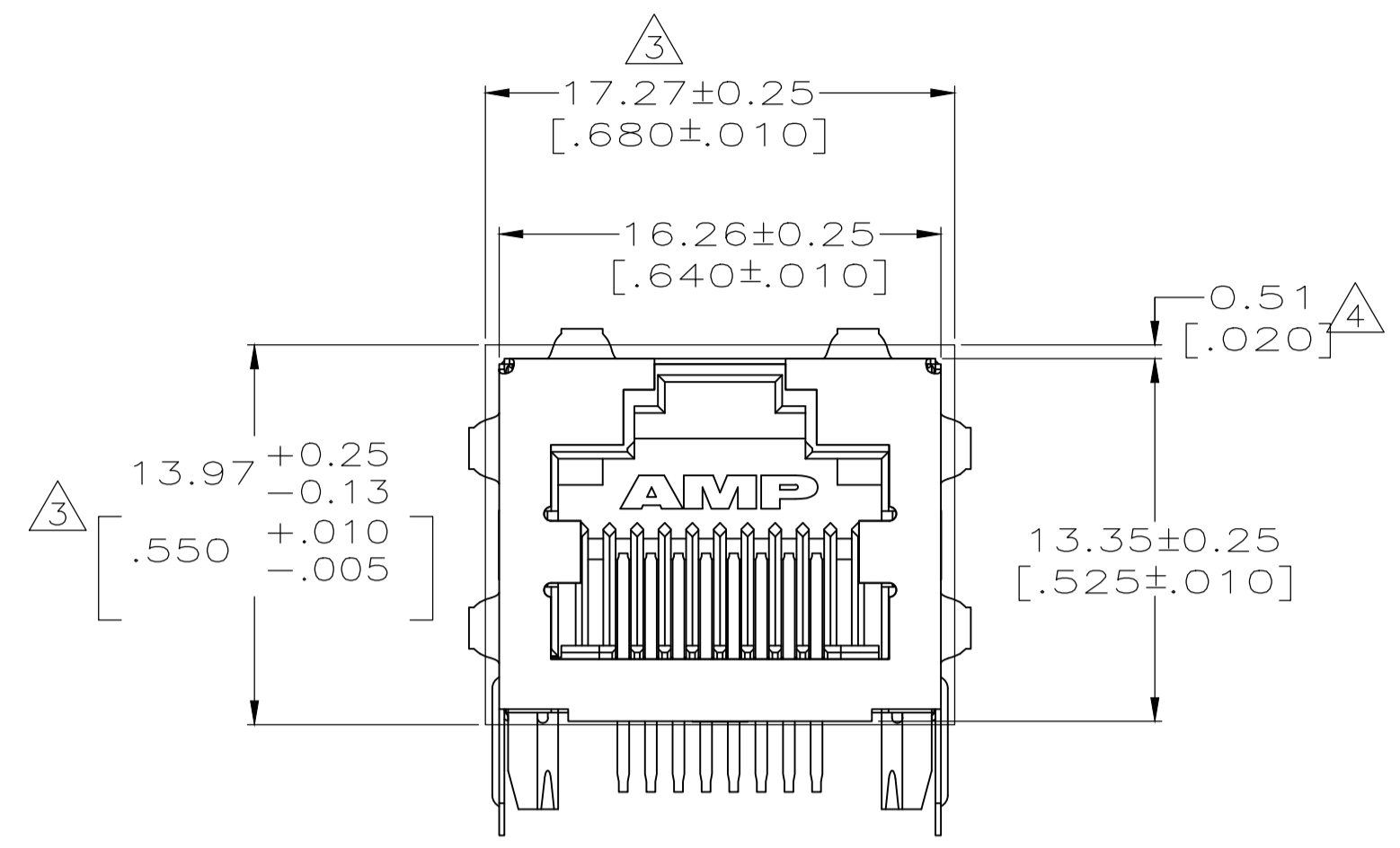
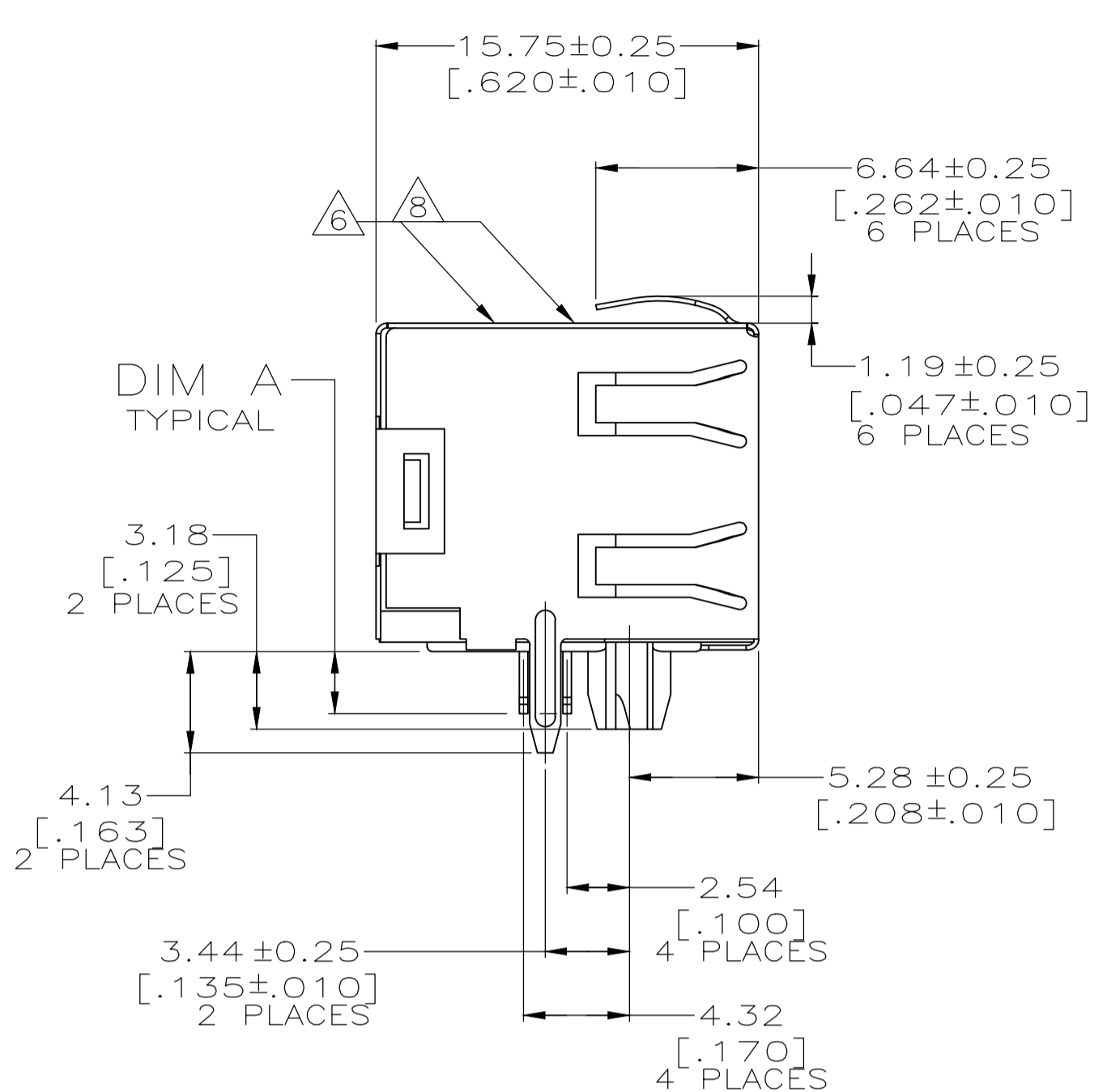


REVISIONS				
P	LTR	DESCRIPTION	DATE	APPD
T	REVISED PER	ECO-19-019621	28FEB2020	VM SH



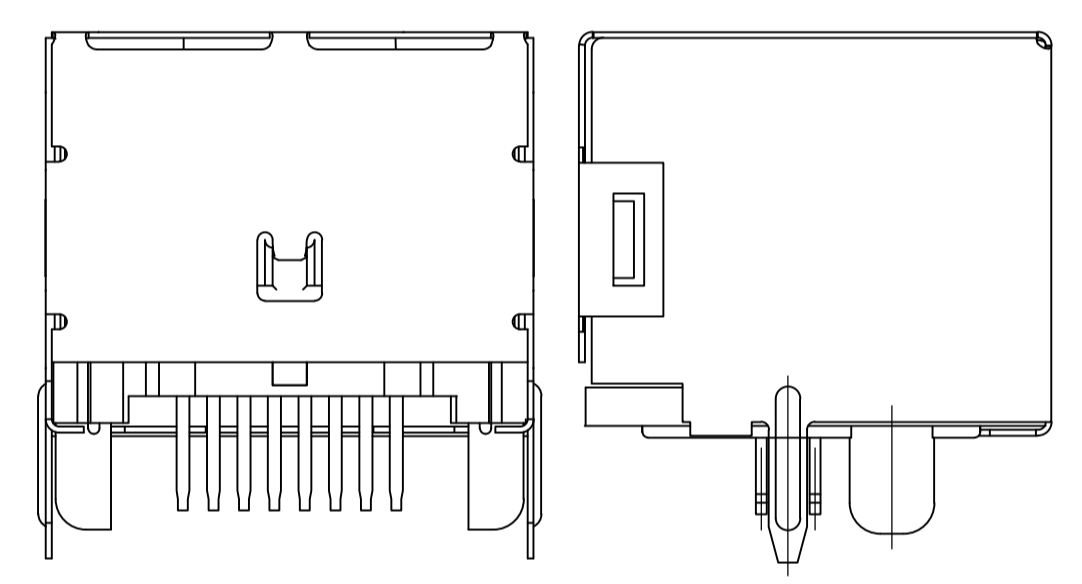
406541-1, -3, & -6
1-406541-1, 1-3, 1-6 & 1-9&2--6

406541-4
1-406541-4
WITHOUT LOWER RIGHT PANEL GROUND

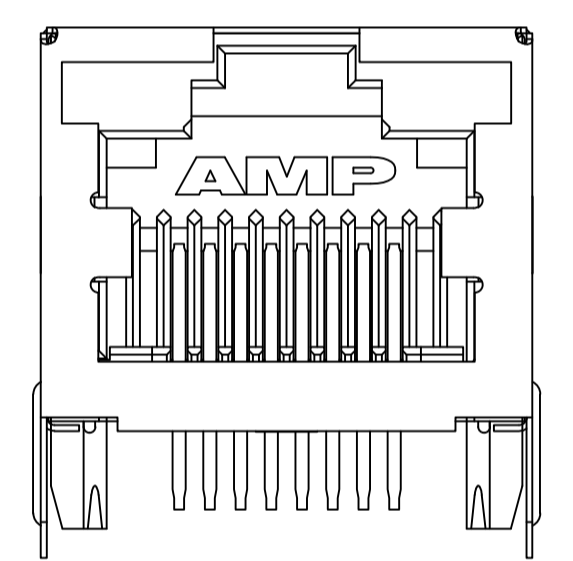
REFLOW SOLDERING PROCESS COMPATIBLE

MATERIAL:
HOUSING - HIGH TEMPERATURE THERMOPLASTIC, COLOR: BLACK, UL94V-0
TERMINALS - 0.36[.014] THICK PHOS BRONZE PLATED WITH 3.81µm[.000150] MINIMUM THICK (SEE P/N TABLE) IN SOLDER AREA. 1.27µm[.000050] MINIMUM GOLD IN LOCALIZED PLATE AREA. ENTIRE TERMINAL PLATED WITH 1.27µm[.000050] MINIMUM THICK NICKEL.
SHIELD - 0.196[.0077] THICK COPPER ZINC ALLOY PREPLATED WITH 1.27µm[.000050] MINIMUM SATIN NICKEL WITH 2.03µm[.000080] MINIMUM TIN POST DIPPED ON PCB GROUND TABS.

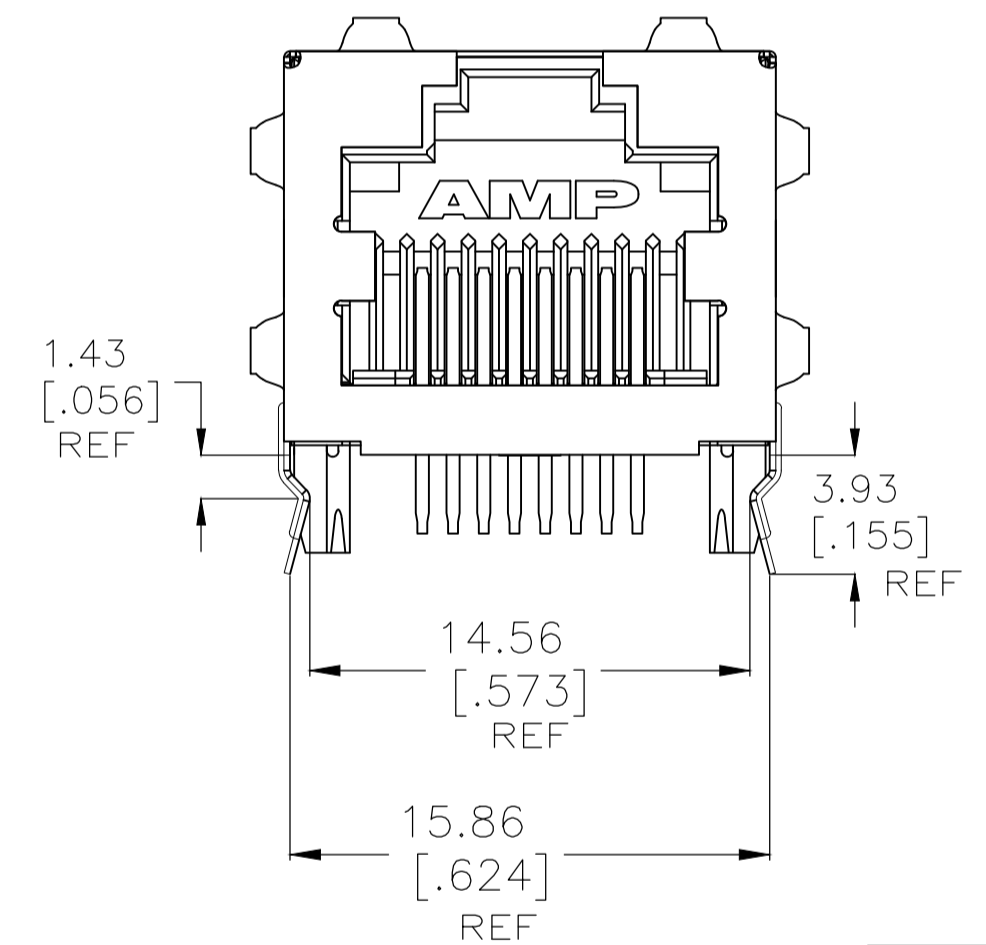
- 2. JACK CAVITY CONFORMS TO FCC RULES AND REGULATIONS PART 68, SUBPART F.
- 3. SUGGESTED PANEL OPENING DIMENSIONS.
- 4. SUGGESTED CLEARANCE BETWEEN TOP OF CONNECTOR AND TOP PANEL OPENING.
- 5. ON 406541-4 & 1-406541-4 LOWER RIGHT HAND PANEL GROUND TAB IS NOT PRESENT.
- 6. MANUFACTURING DATE CODE: LOCATED APPROX. AS SHOWN. FIRST 2 DIGITS = LAST 2 DIGITS OF YEAR. NEXT 2 DIGITS = MANUFACTURING WORK WEEK, LAST DIGIT = DAY OF WEEK WITH SUNDAY = 1.
- 7. OBSOLETE PARTS: OBSOLETE CIS STREAMLINING PER D.RENAUD/D.SINISI
- 8. ADD PN ON TOP SURFACE FOR REQUIRED PARTS



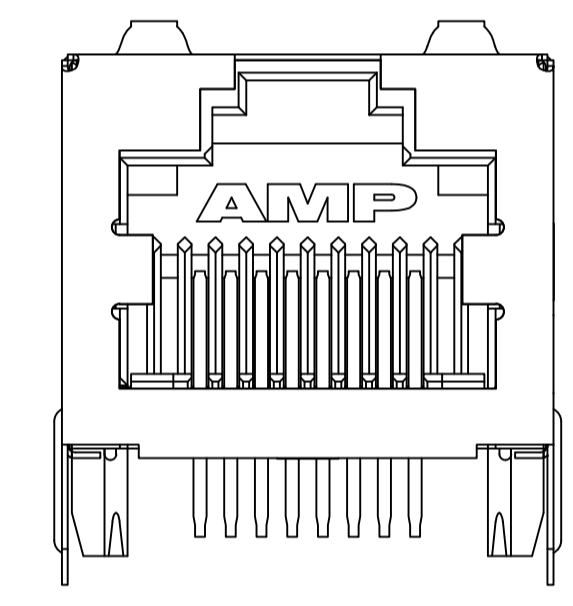
3-406541-0
NARROW POST TYPE



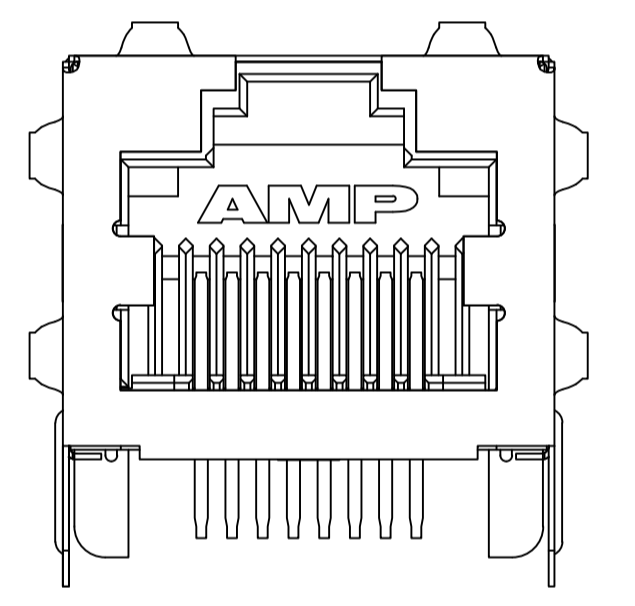
406541-5
1-406541-5
1-406541-8
4-406541-8
WITHOUT PANEL GROUNDS



1-406541-7, 2-406541-7



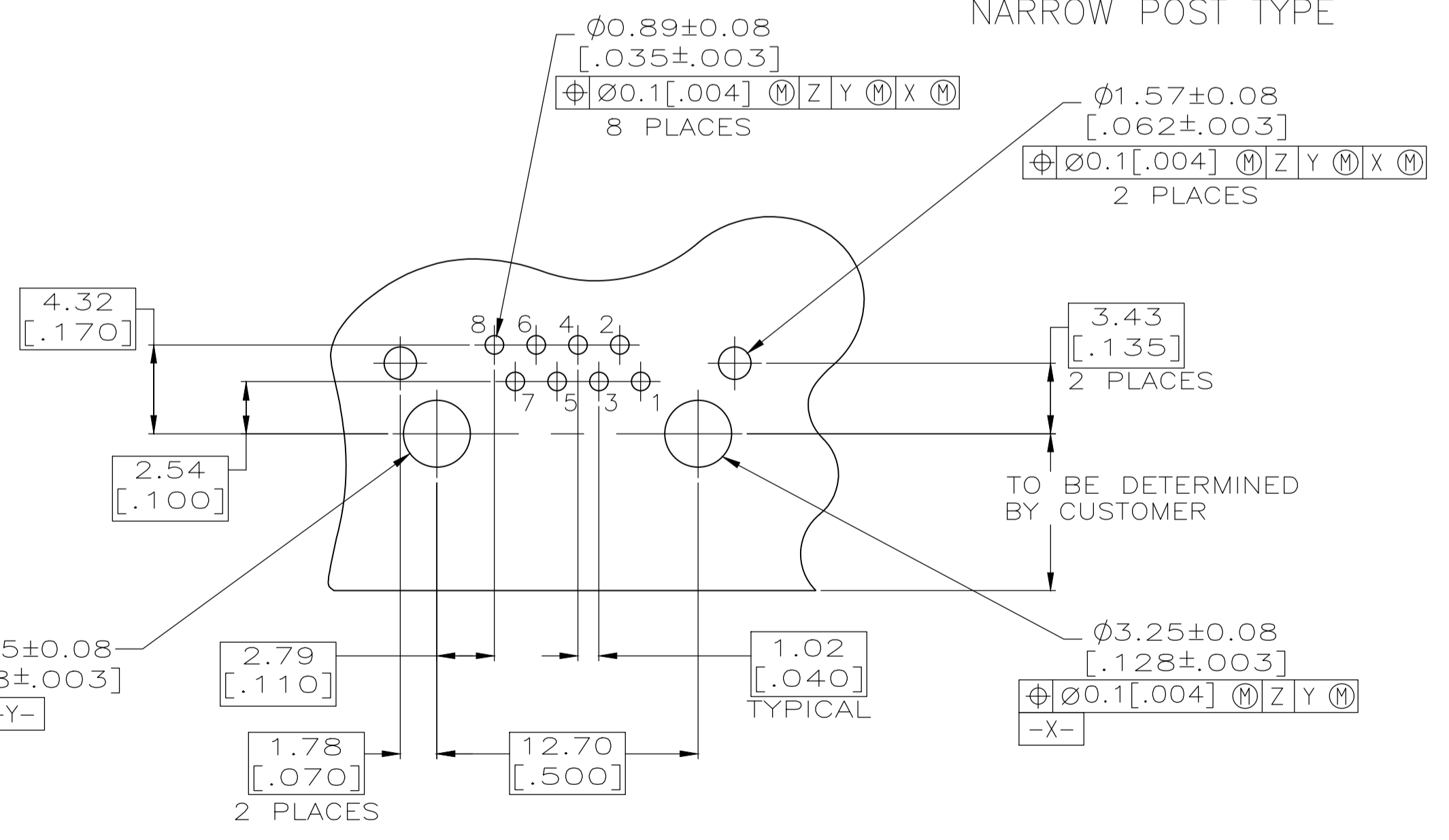
2-406541-1
2-406541-4



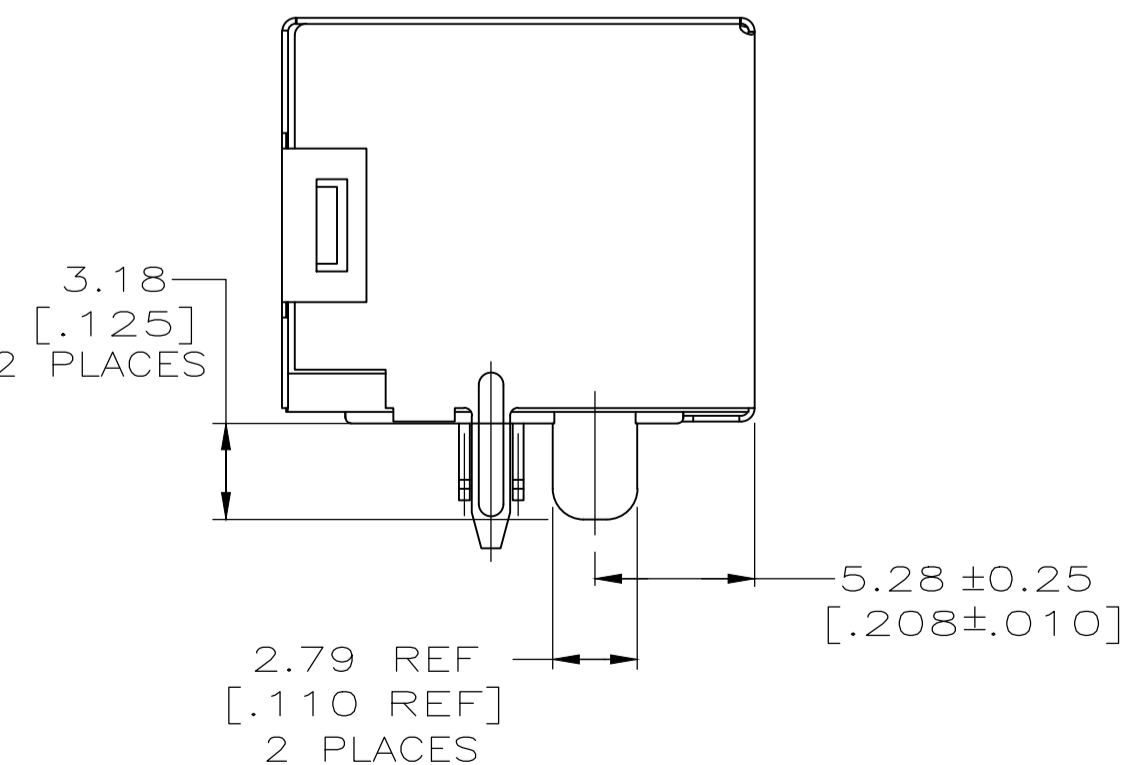
2-406541-3

WITHOUT SIDE PANEL GROUND NARROW POST TYPE

TERMINAL FINISH	TERMINAL PLATING	PACKAGING	PANEL GROUNDS	DIM A	PART NUMBER
		TAPE/REEL	0	2.54 [.100]	3-406541-1
		TAPE/REEL	0	2.54 [.100]	4-406541-8
		TRAY	6	2.54 [.100]	3-406541-0
		TRAY	6	2.54 [.100]	2-406541-7
		TRAY	6	3.56 [.140]	2-406541-6
		TAPE/REEL	2	2.54 [.100]	2-406541-4
		TRAY	6	3.05 [.120]	2-406541-3
		TRAY	0	2.54 [.100]	2-406541-2
		TRAY	2	2.54 [.100]	2-406541-1
		TAPE/REEL	0	2.54 [.100]	2-406541-0
		TRAY	6	3.05 [.120]	1-406541-9
		TAPE/REEL	0	2.54 [.100]	1-406541-8
		TRAY	6	2.54 [.100]	1-406541-7
		TRAY	6	3.56 [.140]	1-406541-6
		TRAY	0	2.54 [.100]	1-406541-5
		TRAY	5	2.54 [.100]	1-406541-4
		TRAY	6	2.00 [.079]	1-406541-3
		TRAY	6	2.54 [.100]	1-406541-1
		TRAY	6	3.56 [.140]	406541-6
		TRAY	0	2.54 [.100]	406541-5
		TRAY	5	2.54 [.100]	406541-4
		TRAY	6	2.00 [.079]	406541-3
		TRAY	6	2.54 [.100]	406541-1
		TRAY	6	2.54 [.100]	406541-1



SUGGESTED PRINTED CIRCUIT BOARD LAYOUT
(COMPONENT SIDE)



2-406541-0, 2-2,3-1
NARROW POST TYPE

THIS DRAWING IS A CONTROLLED DOCUMENT.		DIN IS/LA.MAYER 09JAN2008		TE Connectivity	
DIMENSIONS: mm [INCHES]		TOLERANCES UNLESS OTHERWISE SPECIFIED:		APVD S.FLICKINGER 09JAN2008	
0 PLC	±	0	±	NAME	
1 PLC	±	0	±	INVERT MODULAR JACK ASSEMBLY	
2 PLC	±	0.25[.010]	±	1 X 1, SHIELDED, PANEL GROUND	
3 PLC	±	0.25[.010]	±	PRODUCT SPEC	
4 PLC	±	0.25[.010]	±	APPLICATION SPEC	
ANGLES	±	0	±	SIZE	
MATERIAL SEE TABLE		FINISH SEE TABLE		WEIGHT 0.000000	
				A1 00779 406541	
				CUSTOMER DRAWING	
				SCALE 4:1 SHEET 1 OF 1 REV T	

单击下面可查看定价，库存，交付和生命周期等信息

[>>TE Connectivity\(泰科\)](#)