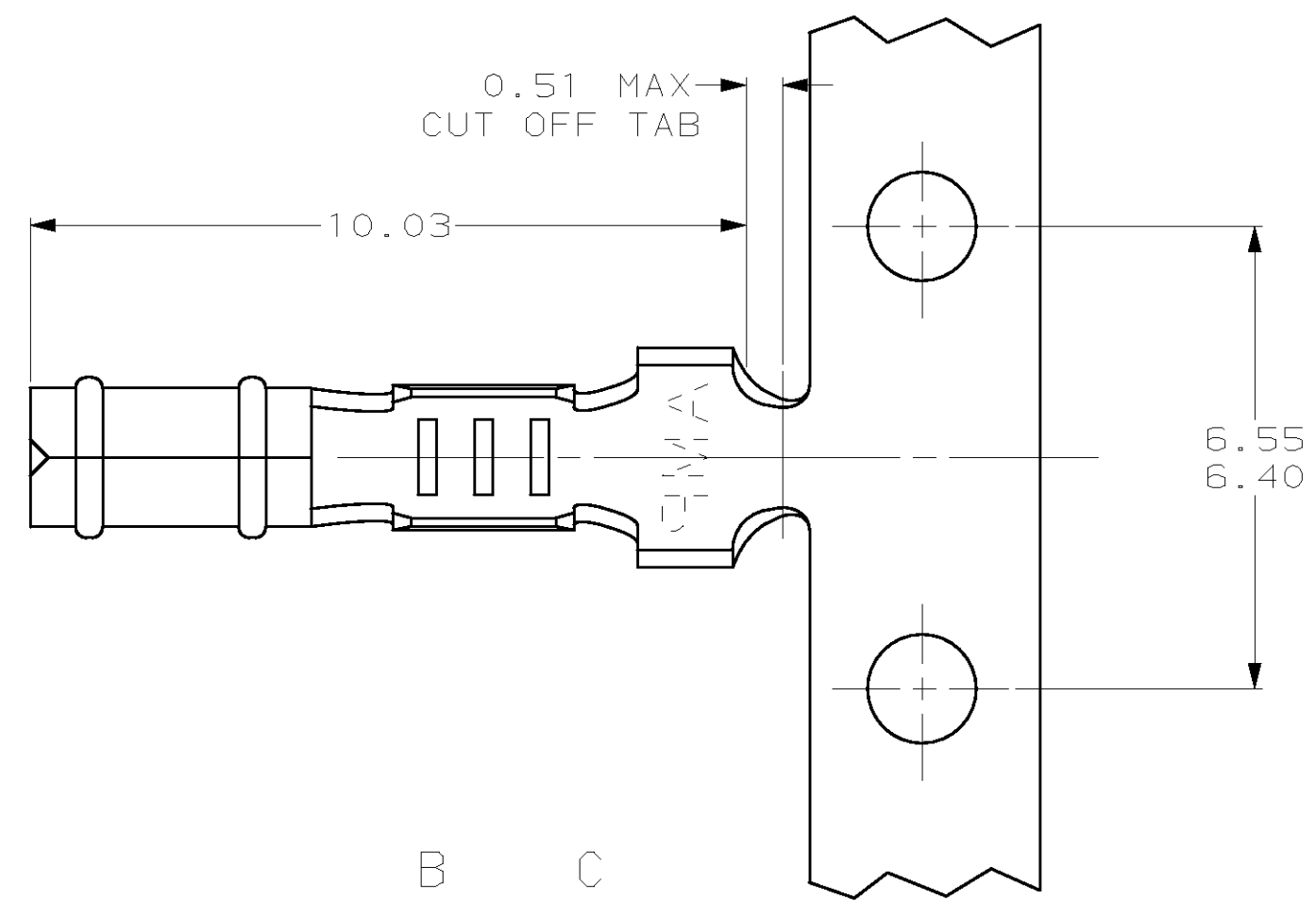


THIS DRAWING IS UNPUBLISHED. RELEASED FOR PUBLICATION  
 (C) COPYRIGHT 19 BY AMP INCORPORATED. ALL RIGHTS RESERVED.

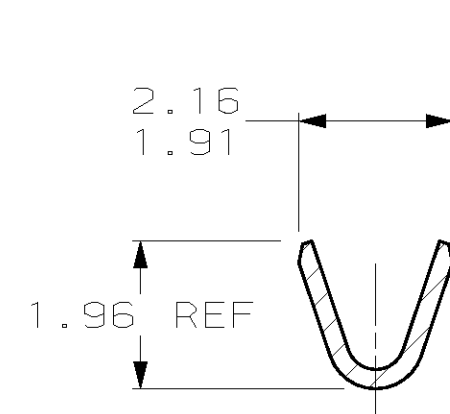
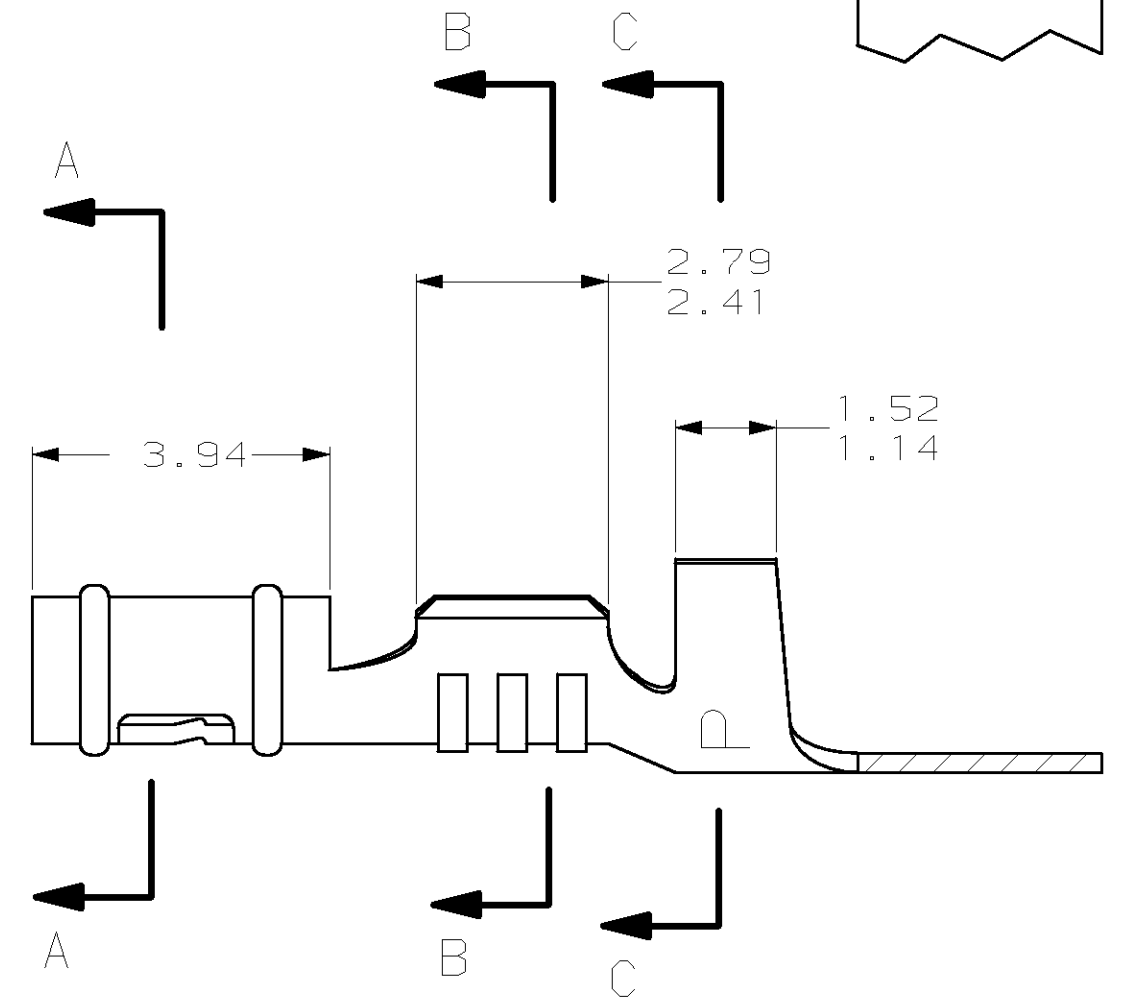
LOC	DIST	REVISIONS			
P	LTR	DESCRIPTION	DATE	DWN	APVD
CM	52	U	OBS -4 PER EC OL30-0251-97	8-31-98	JH RS



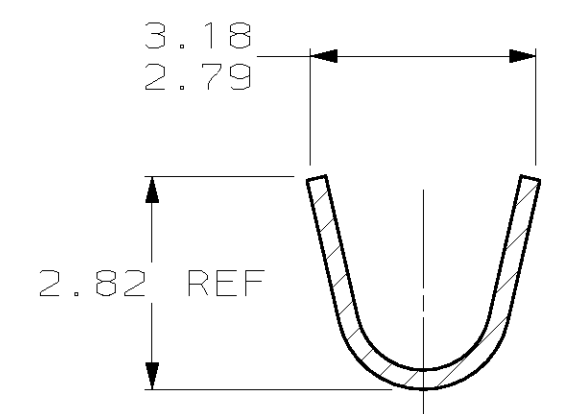
- 2. WIRE RANGE: 0.2 - 0.6 MM<sup>2</sup> (24 - 20 AWG)
- 3. INSULATION RANGE: 1.52 - 2.29
- △ 0.00203 MIN MATTE TIN PLATING OVER ALL.



SECTION A-A



SECTION B-B



SECTION C-C

△	0.25 BE CU	60939-2
PRE-TIN	0.25 PH BRZ	60939-1
FINISH	MATERIAL	PART NUMBER

1.359	.0535	2.16	.085	3.94	.155	-	-
1.14	.045	1.96	.077	3.18	.125	-	-
0.51	.020	1.91	.075	2.82	.111	-	-
0.25	.010	1.52	.060	2.79	.110	10.03	.395
0.13	.005	1.486	.0585	2.41	.095	6.55	.258
0.00203	.000080	1.47	.058	2.29	.090	6.40	.252
MM	IN	MM	IN	MM	IN	MM	IN

CONVERSION TABLE

**METRIC**

THIS DRAWING IS A CONTROLLED DOCUMENT.

DIMENSIONS:	TOLERANCES UNLESS OTHERWISE SPECIFIED:	DWN	5-19-97
mm	0 PLC ±-	T. BECK	
	1 PLC ±-	R. SWING	5-19-97
	2 PLC ±0.13	A. BEDDICK	8-08-97
	3 PLC ±-	APVD	
	4 PLC ±-	NAME	RECEPTACLE, .058 DIAMETER,
	ANGLES ±-	PRODUCT SPEC	24-20 AWG, .060-.090
MATERIAL	FINISH	APPLICATION SPEC	INSULATION, P.C. CONTACT
SEE TABLE	SEE TABLE	108-1025	
		114-1008	
		WEIGHT	-
		SIZE	A2
		CAGE CODE	00779
		DRAWING NO	60939
		RESTRICTED TO	-
		CUSTOMER DRAWING	
		SCALE	10:1
		SHEET	1 OF 1
		REV	U

60939

B

A

单击下面可查看定价，库存，交付和生命周期等信息

[>>TE Connectivity\(泰科\)](#)