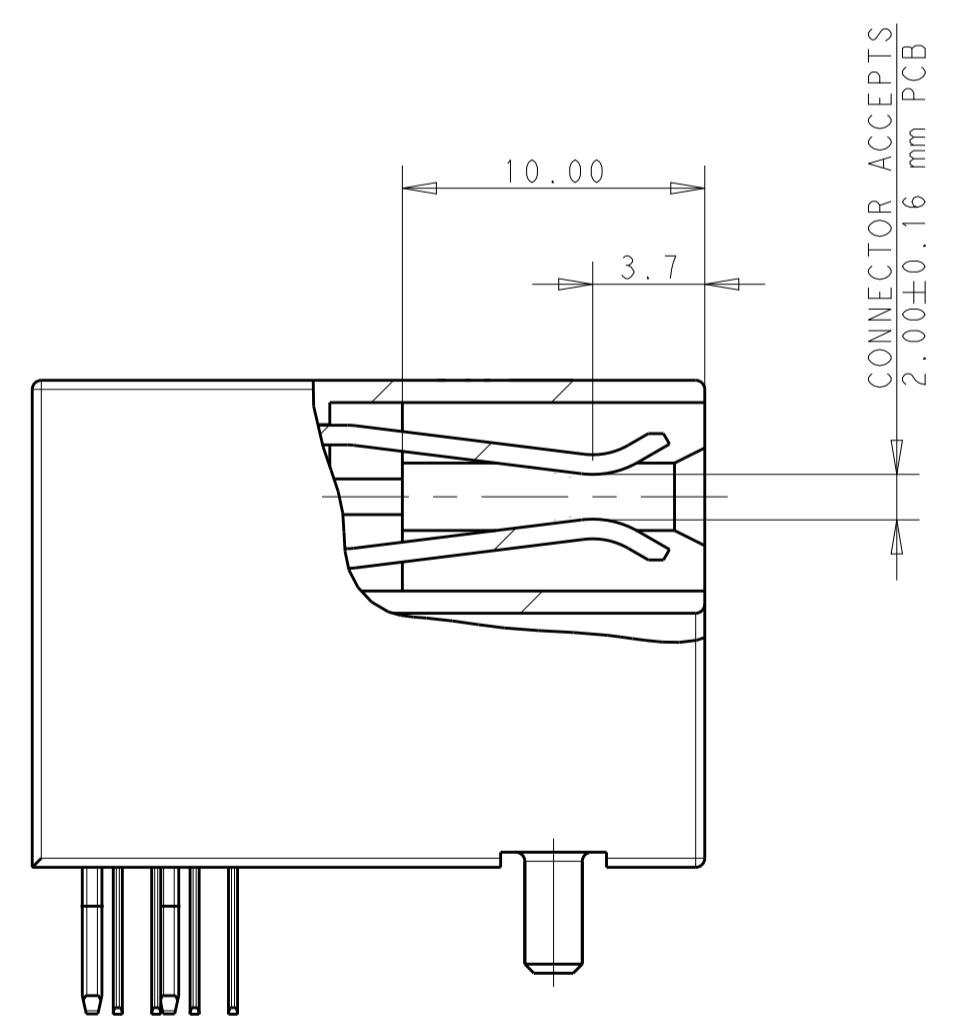
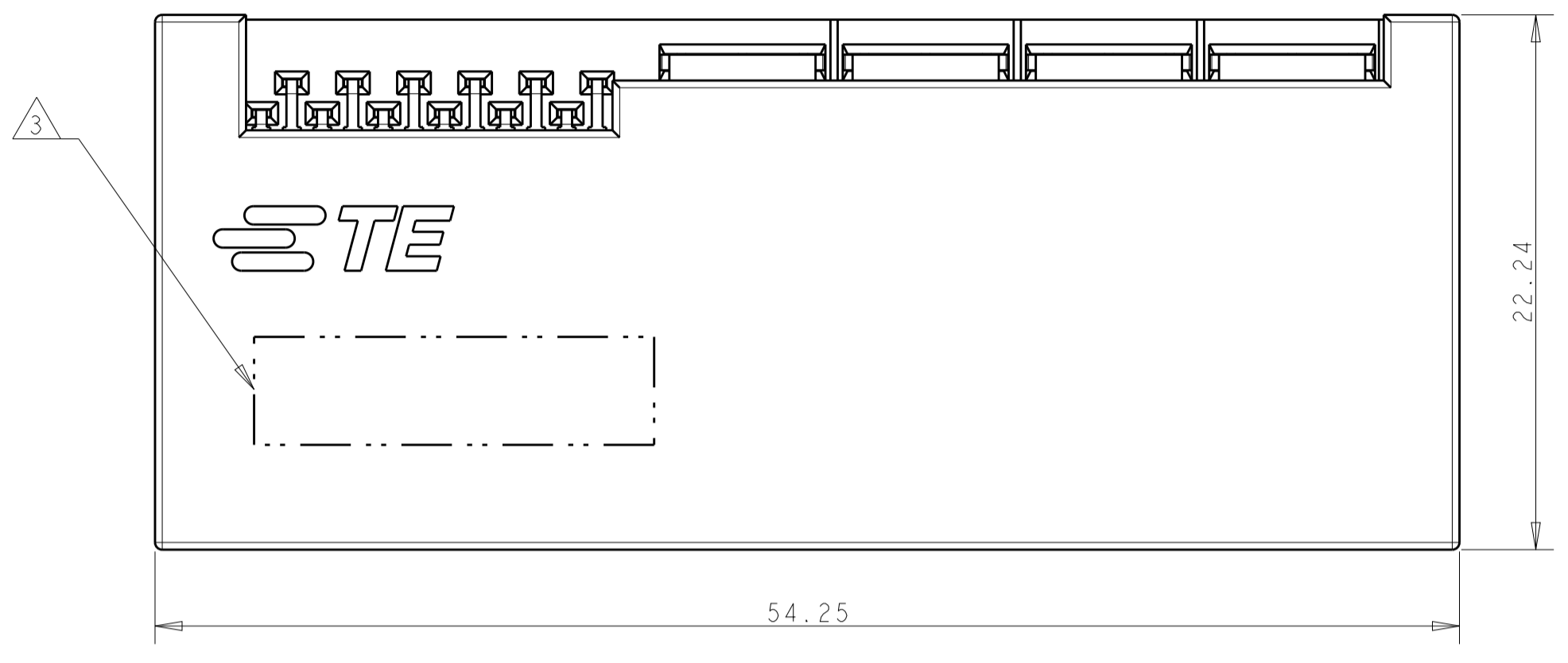
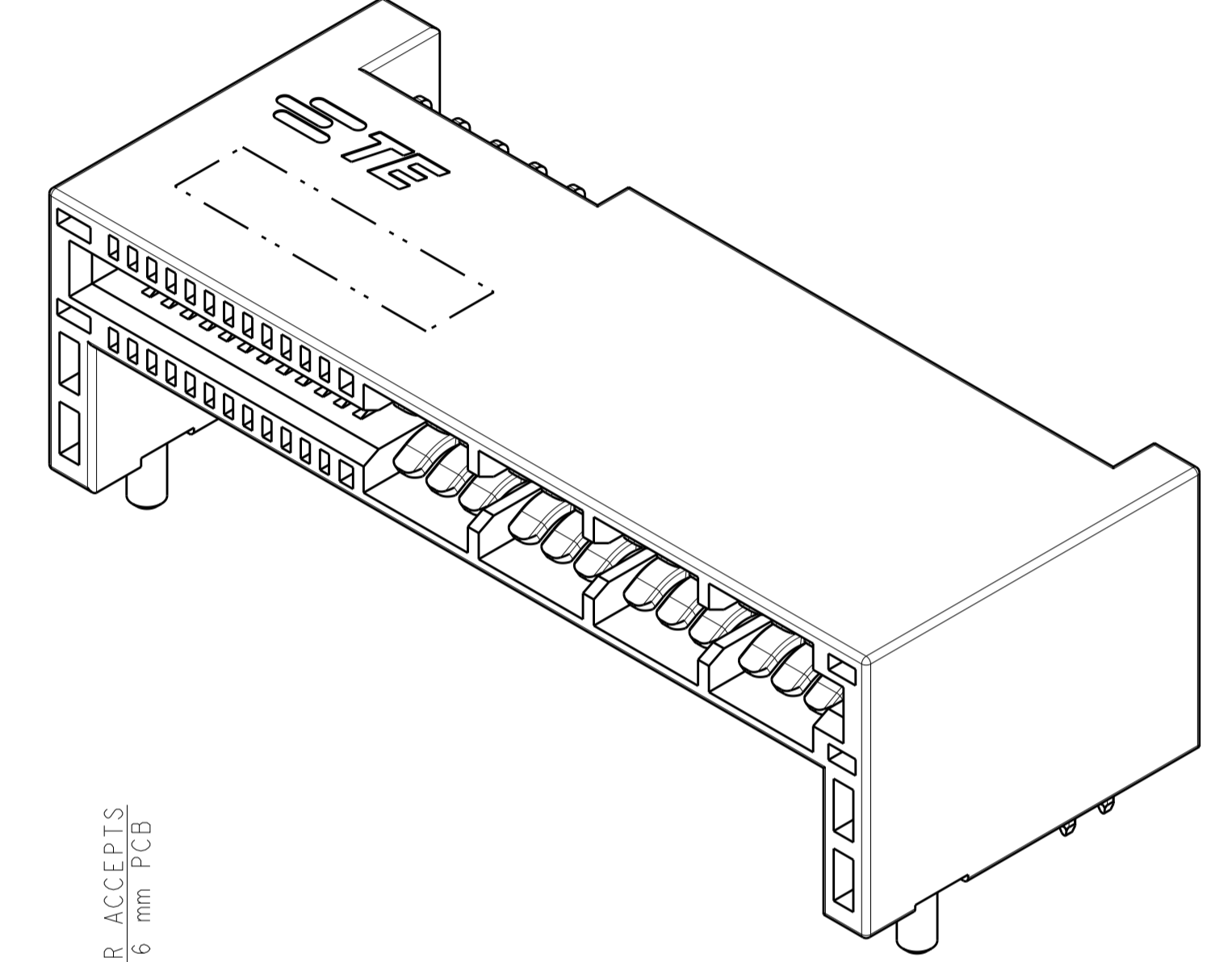
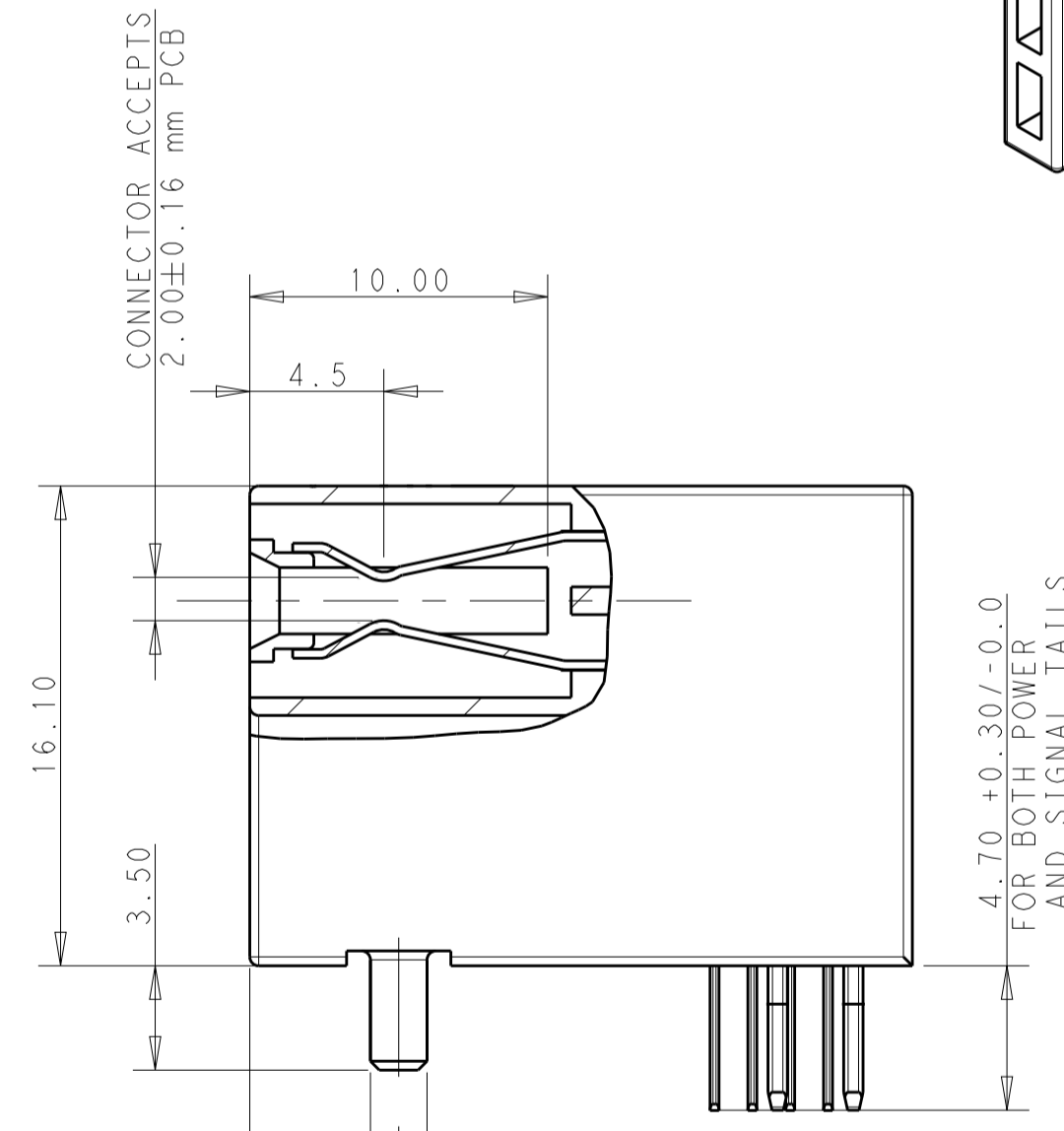
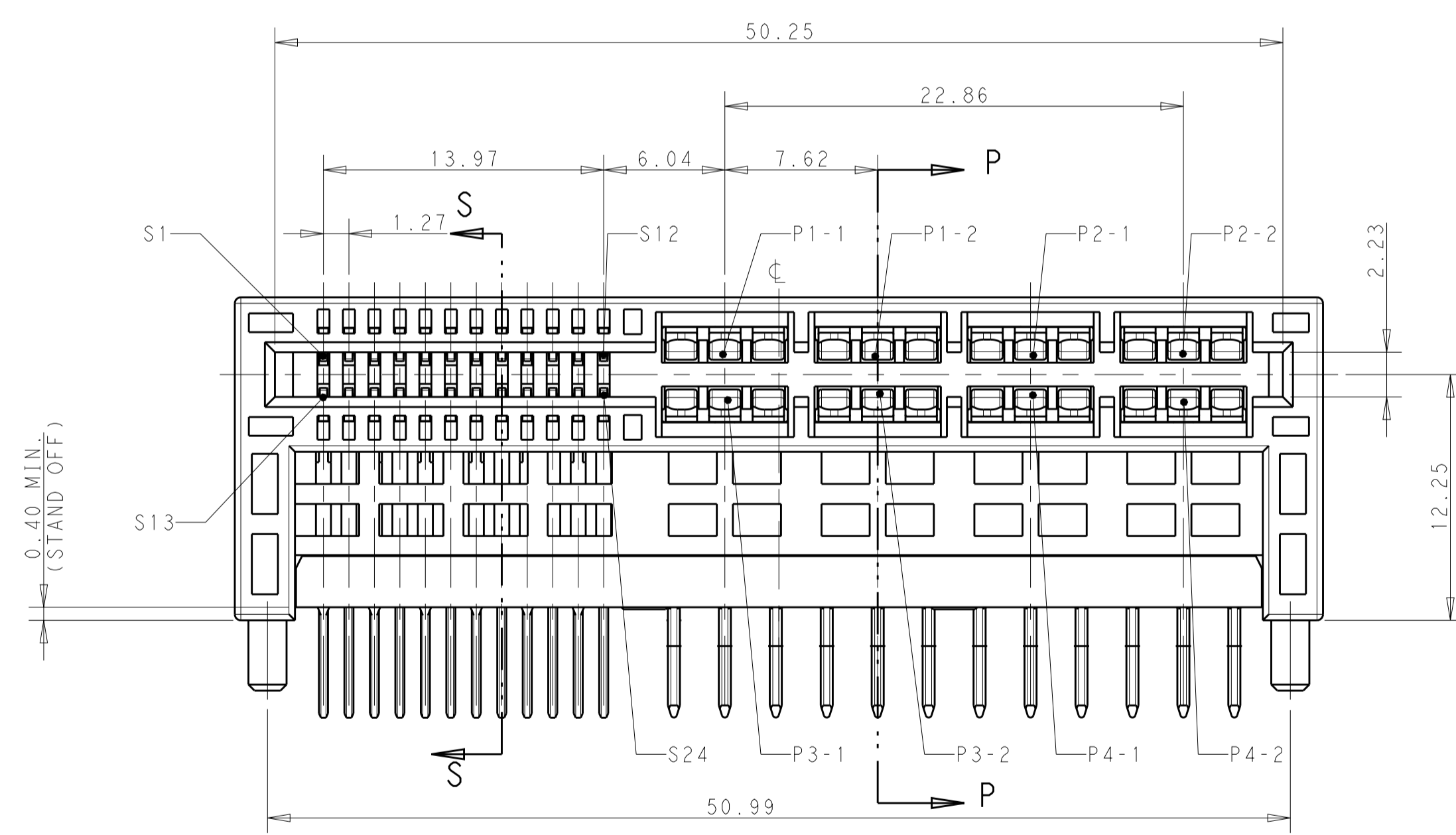


REVISIONS				
P	LTM	DESCRIPTION	DATE	APVD
A		FIRST RELEASE	18 JUN 2020	SZ SZ

- NOTES, UNLESS OTHERWISE SPECIFIED
- ① MATERIAL:
 - HOUSING - THERMOPLASTIC, GLASS PREINFORCED, COLOR, BLACK, UL 94V-0
 - CONTACTS- COPPER ALLOY.
 - ② FINISH:
 - MATING AREA - NOBLE METAL OVERALL NICKEL.
 - SOLDER TAIL - MATTE TIN OVERALL NICKEL.
 - ③ MARK P/N AND DATA CODE IN APPROX. AREA AS SHOWN.
 - ④ DETERMINED BY CUSTOMER.
 - 5. IR REFLOW COMPATIBLE:
 - TIME OVER LIQUIDUS(217°C): 60 TO 150S
 - PEAK TEMP.: 260+0/-5°C
 - TIME WITHIN 5°C OF PEAK: 20 TO 40S



SECTION P-P



SECTION S-S

CONNECTOR ACCEPTS
2.00±0.16 mm PCB

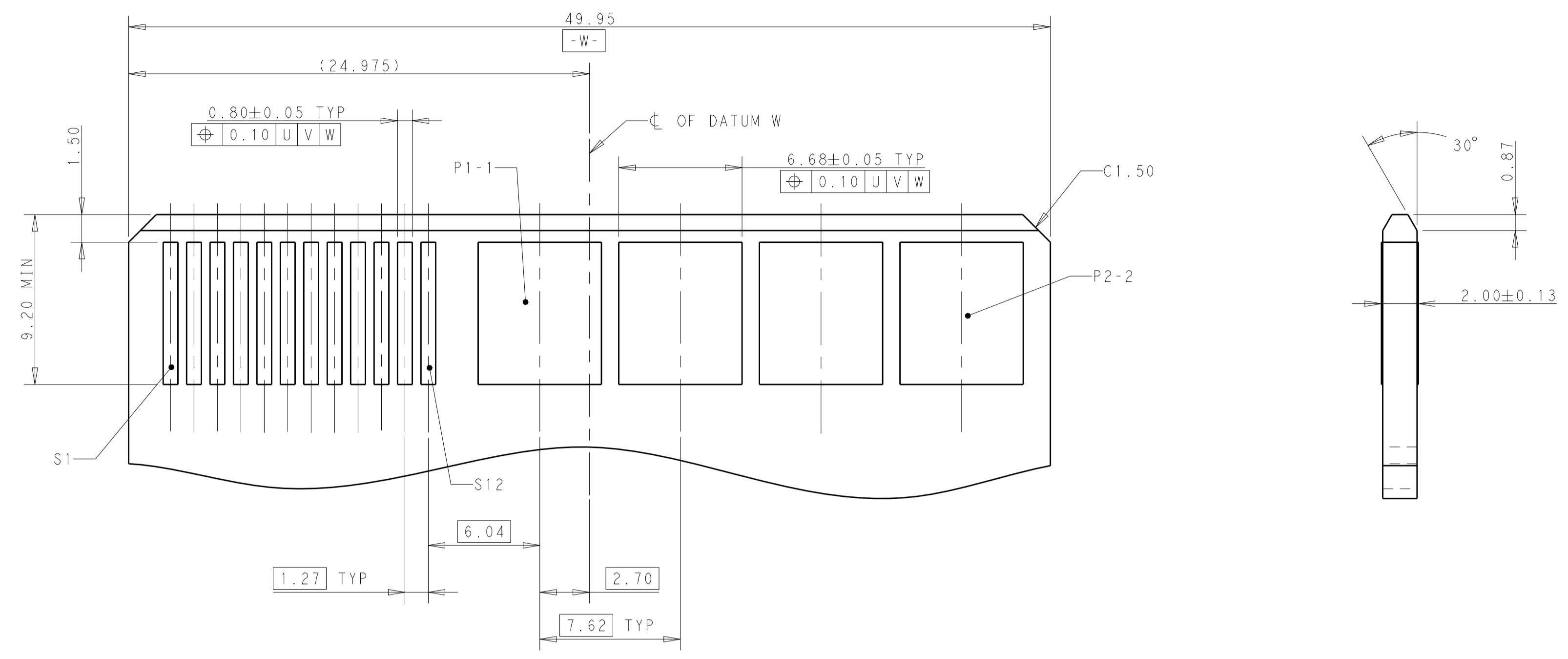
0.40 MIN.
(STAND OFF)

CONNECTOR ACCEPTS
2.00±0.16 mm PCB

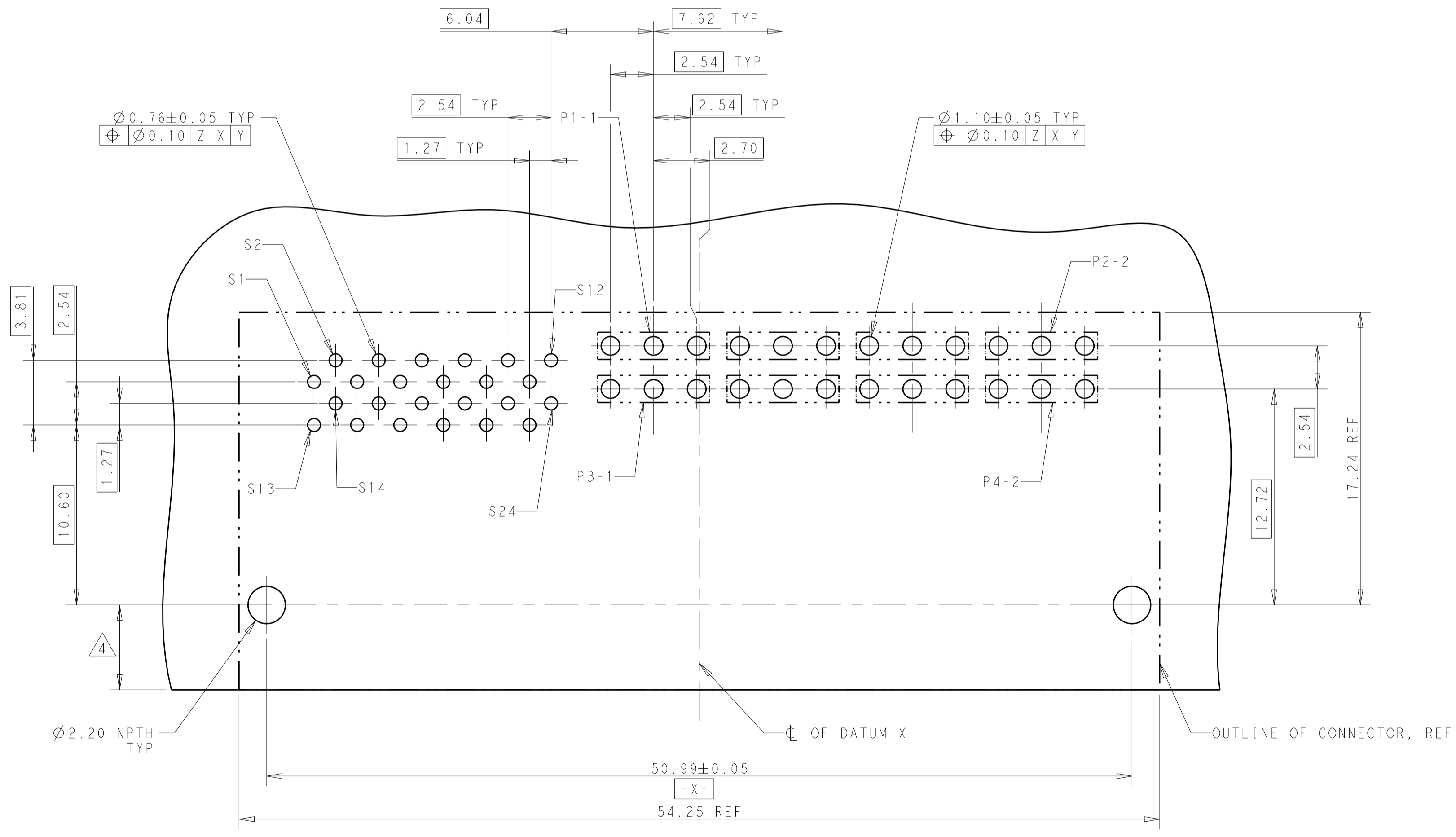
4.70 +0.30/-0.0
FOR BOTH POWER
AND SIGNAL TAILS

THIS DRAWING IS A CONTROLLED DOCUMENT.		OWN: SEAN ZHANG 24SEP2019	PART NUMBER 2363332-1	
DIMENSIONS: mm		CHK: -	TE Connectivity	
TOLERANCES UNLESS OTHERWISE SPECIFIED:		APVD: -	NAME: HEIGHTEN RA POWER CARD EDGE 2x4P-2X12S	
0 PLC	±0.50	PRODUCT SPEC	108-128108	
3 PLC	±0.25	APPLICATION SPEC	114-32380	
4 PLC	±0.15	WEIGHT	A1	
ANGLES	±0.5	CUSTOMER DRAWING	SCALE NTS SHEET 1 OF 2 REV A	

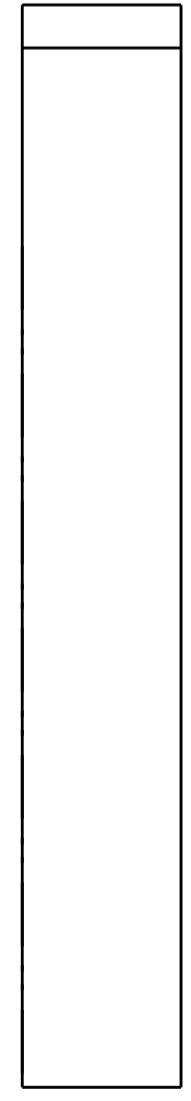
REVISIONS				
P.	LTN	DESCRIPTION	DATE	APVD
-	-	SEE SHEET 1	-	-



RECOMMENDED MATING BOARD EDGE CONFIGURATION



RECOMMENDED MOUNTING BOARD CONFIGURATION LAYOUT VIEW FROM COMPONENT SIDE



THIS DRAWING IS A CONTROLLED DOCUMENT.		OWN: SEAN ZHANG	24SEP2019	TE Connectivity
DIMENSIONS: mm		CHK: -	APVD: -	
TOLERANCES UNLESS OTHERWISE SPECIFIED: 0 PLC ± 1 PLC ±0.10 2 PLC ±0.05 3 PLC ± 4 PLC ± ANGLES ±		PRODUCT SPEC: - APPLICATION SPEC: - WEIGHT: -		NAME: HEIGHTEN RA POWER CARD EDGE 2x4P-2X12S
MATERIAL: TBD	FINISH: -	SCALE: NTS	SHEET 2 OF 2	RESTRICTED TO: -
CUSTOMER DRAWING		C=2363332		REV: A

单击下面可查看定价，库存，交付和生命周期等信息

[>>TE Connectivity\(泰科\)](#)