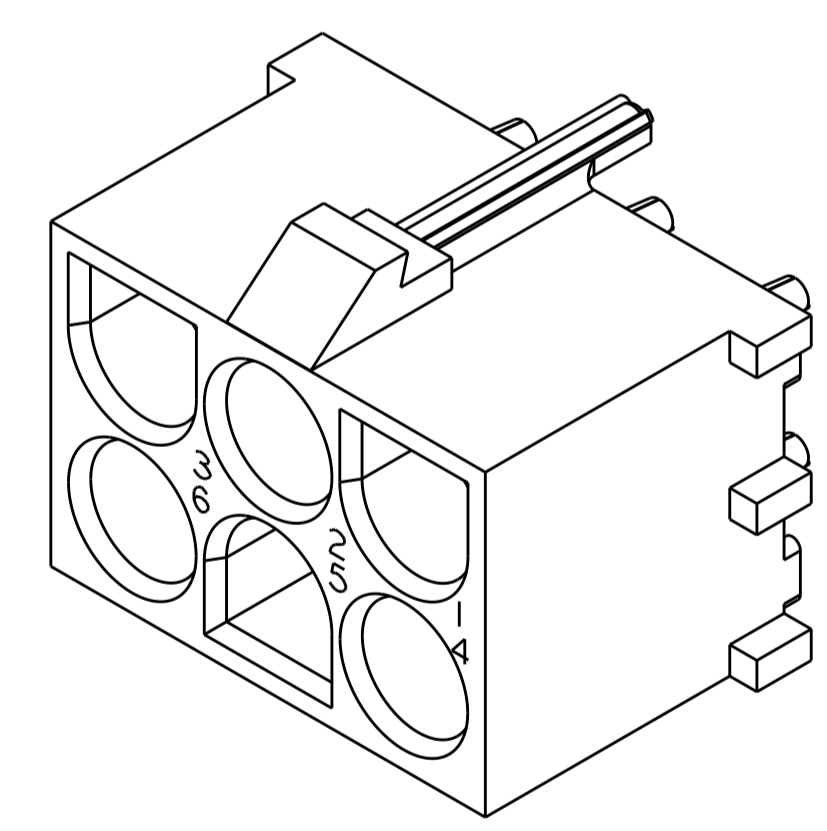
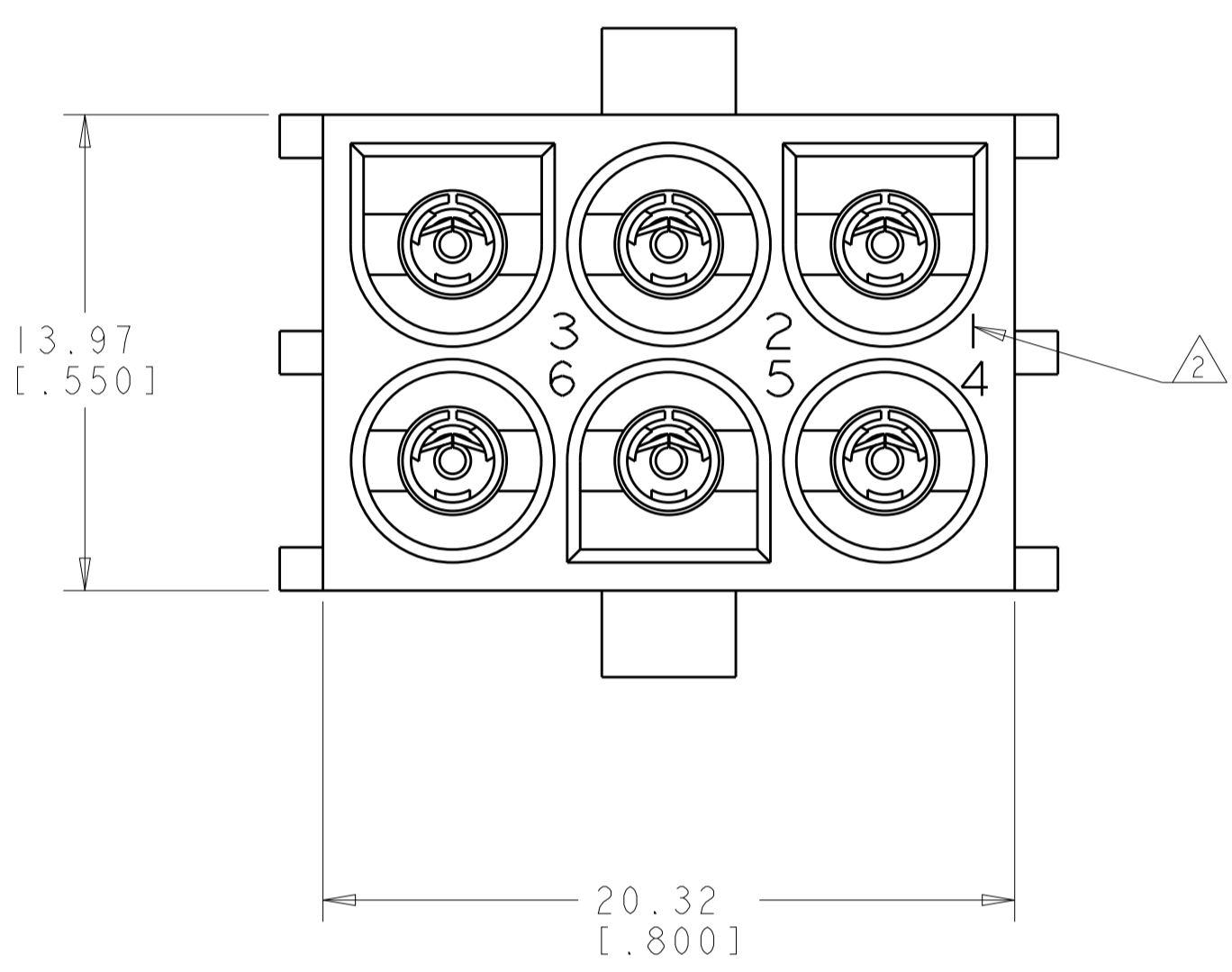
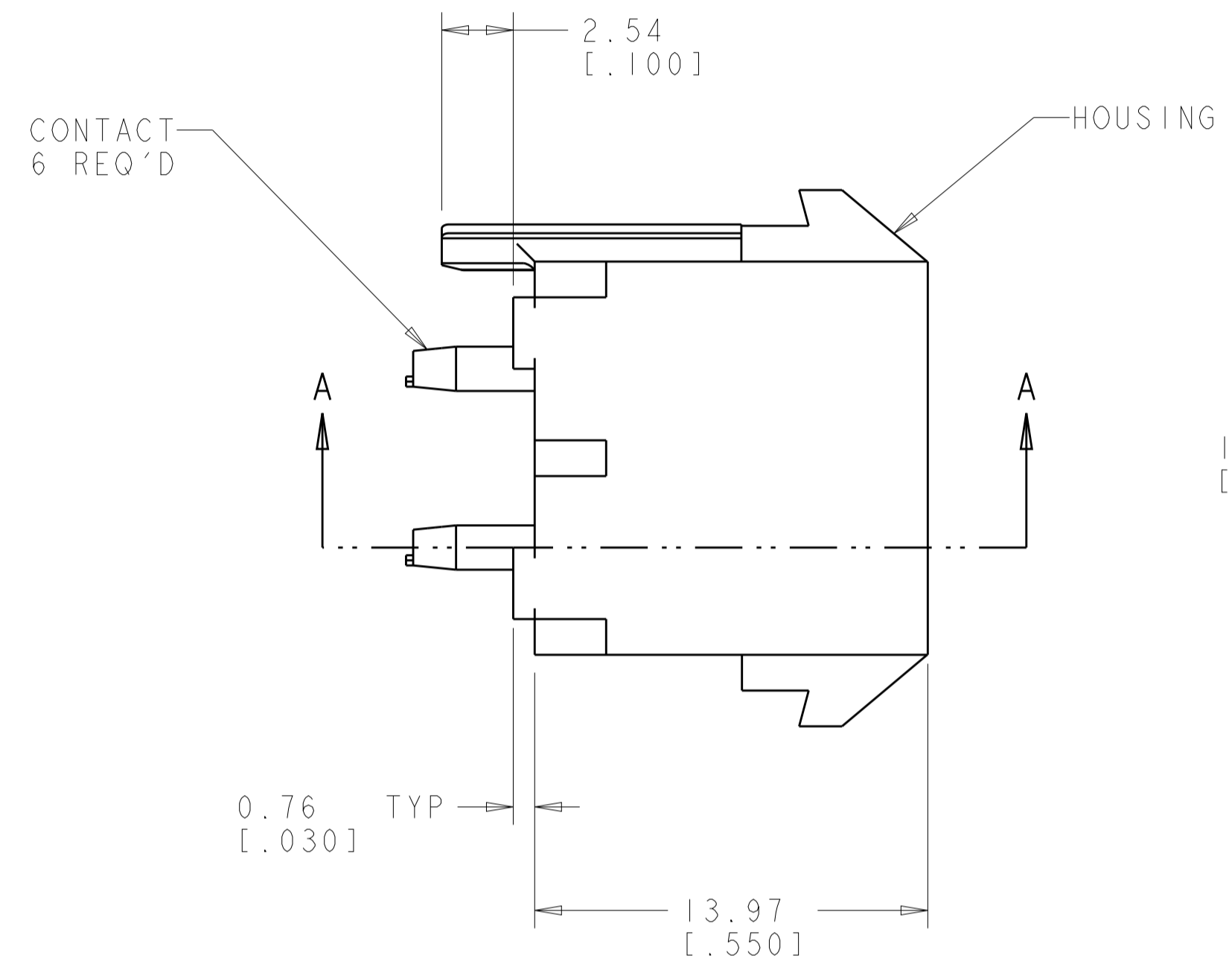
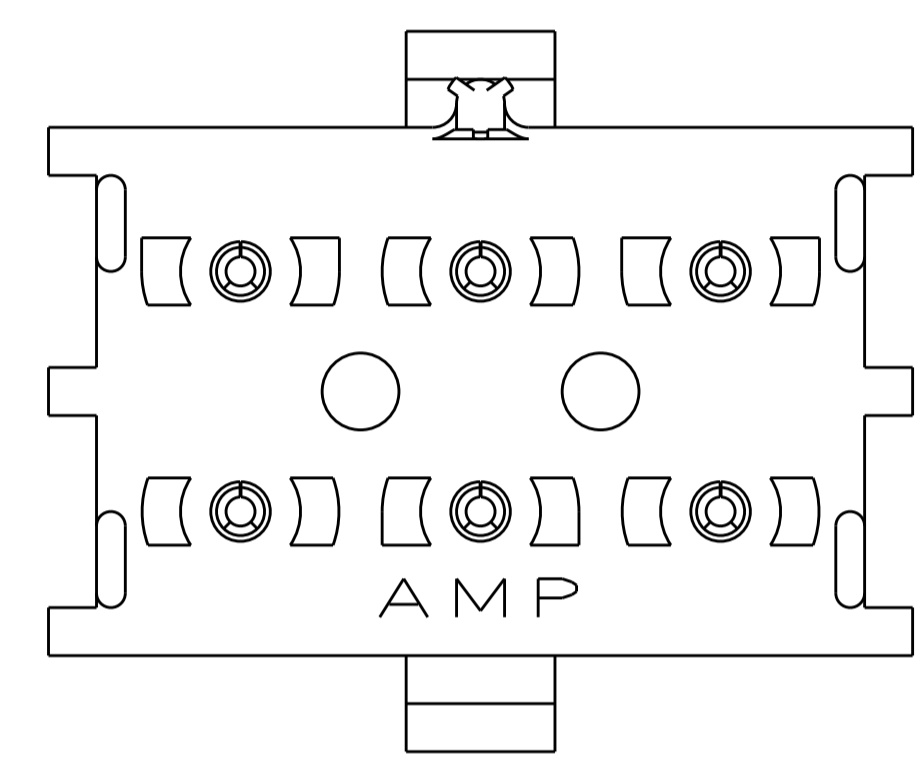
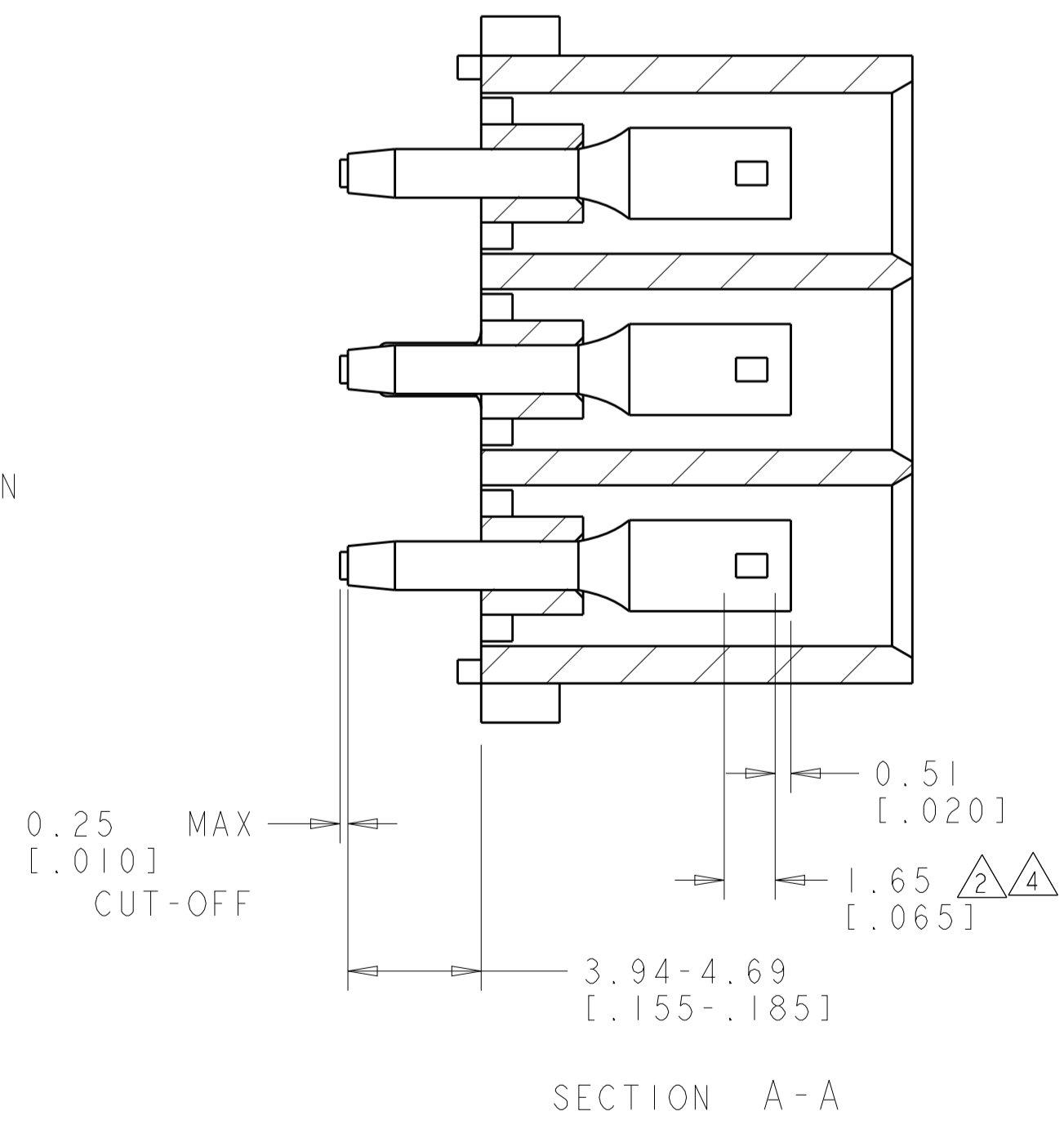
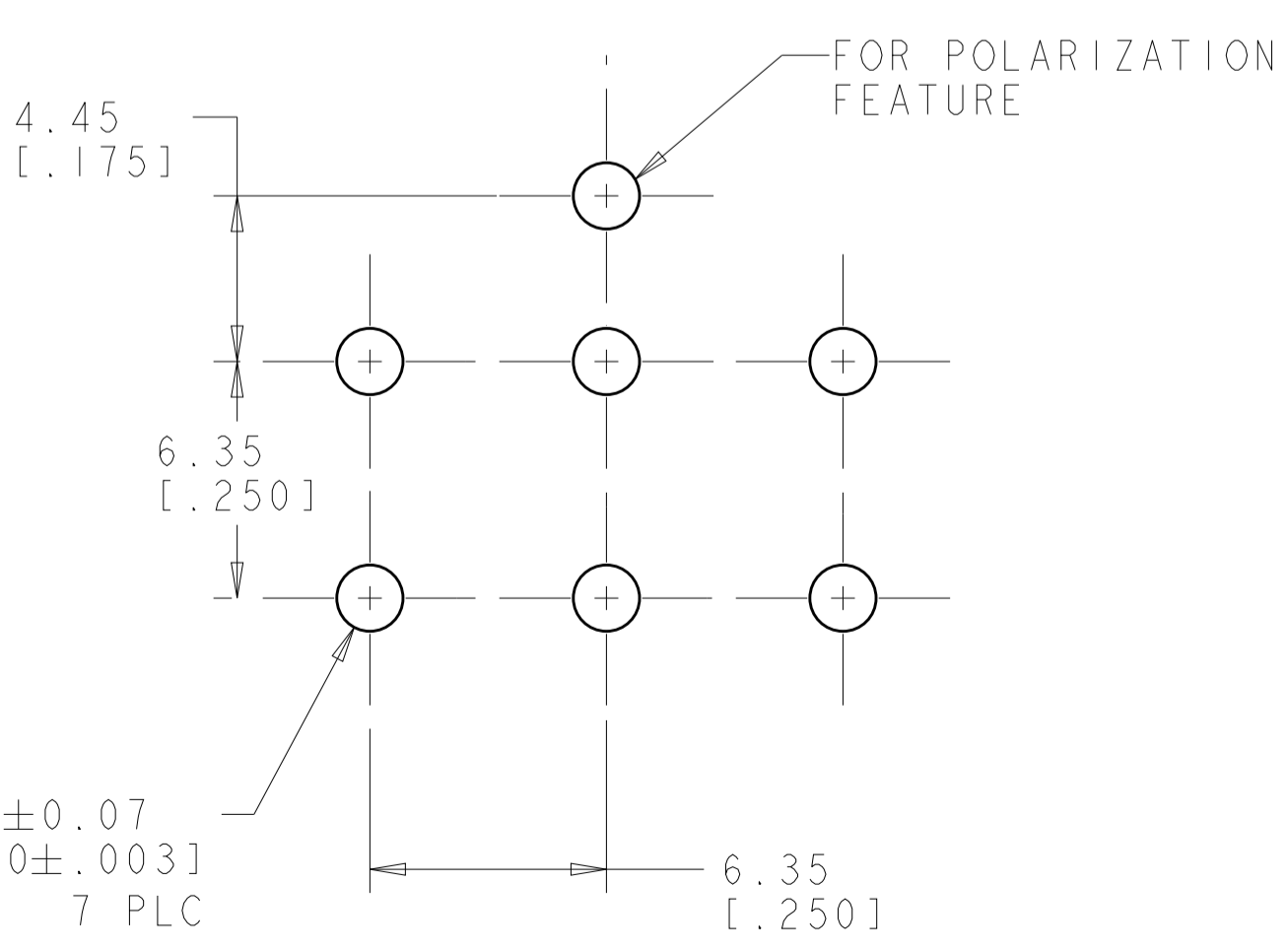


LOC	DIST	REVISIONS			
		REV	DATE	BY	APP'D
CM	00	H1	REVIS PER ECR-12-011660	24JAN2013	KH TM

1. PARTS COMPLY TO AMP SOLDERABILITY SPECIFICATION 109-11-3.
2. CONTACT IS PLATED OVERALL WITH 0.00127 [.000050] NICKEL, THEN STRIPED WITH 0.00076 [.000030] GOLD IN CONTACT AREA AND TIN-LEAD ON SOLDER TAIL END.
3. CIRCUIT IDENTIFICATION CHARACTERS ARE ADJACENT TO THE INDICATED CAVITIES, BUT LOCATION AND ORIENTATION MAY DIFFER FROM PRINT.
4. CONTACT IS PLATED OVERALL WITH 0.00127 [.000050] NICKEL, THEN 0.00076 [.000030] GOLDOVER CONTACT LENGTH INDICATED AND MATTE TIN ON SOLDER TAIL END.
5. SUPERSEDED BY 643424-3

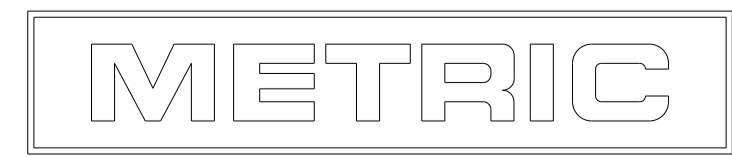


SCALE 4:1



PHOSPOR BRONZE, GOLD	NYLON, UL94V-0	643424-3
PHOSPOR BRONZE, GOLD	NYLON, UL94V-0	643424-2
PHOSPOR BRONZE, PRE-TIN	NYLON, UL94V-0	643424-1
CONTACT	HOUSING	PART NUMBER

RECOMMENDED MOUNTING HOLE PATTERN FOR 1.57 [.062] THICK P.C. BOARD



THIS DRAWING IS A CONTROLLED DOCUMENT.		DWN: JH WHITAKER 13OCT2005	TE Connectivity
DIMENSIONS: mm [INCHES]		CHK: S. RIDGILL 13OCT2005	
TOLERANCES UNLESS OTHERWISE SPECIFIED:		APVD: S. RIDGILL 13OCT2005	NAME: SOCKET HEADER ASSEMBLY, POLARIZED, 6 CIRCUIT, UNIVERSAL MATE-N-LOK(TM)
0 PLC ±		PRODUCT SPEC	
1 PLC ±0.131(.005)		APPLICATION SPEC	SIZE: CAGE CODE: DRAWING NO: RESTRICTED TO
2 PLC ±		FINISH: SEE TABLE	SCALE: 5:1 SHEET 1 OF 1 REV: H1
3 PLC ±		ANGLES: 40°/30°	
4 PLC ±		WEIGHT: -	
MATERIAL: SEE TABLE		CUSTOMER DRAWING	

单击下面可查看定价，库存，交付和生命周期等信息

[>>TE Connectivity\(泰科\)](#)