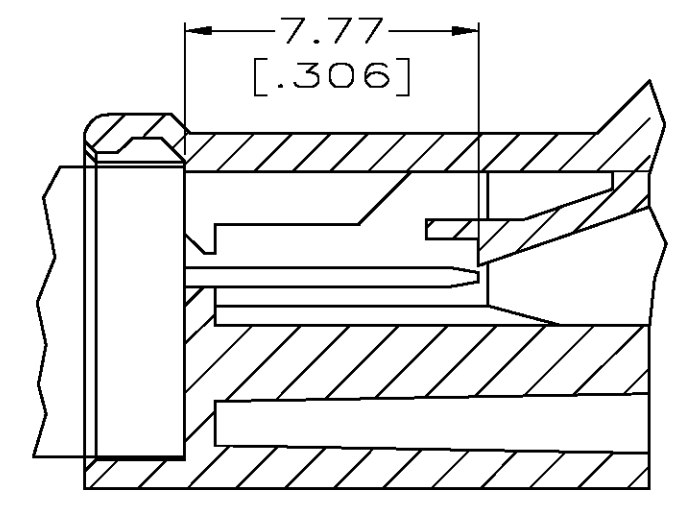
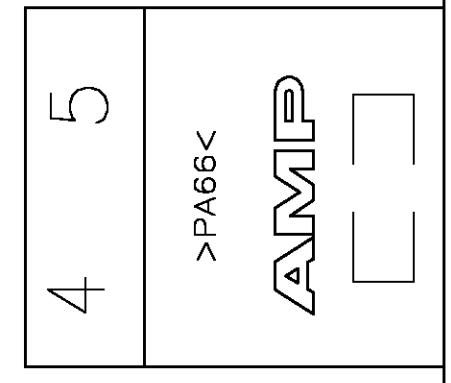
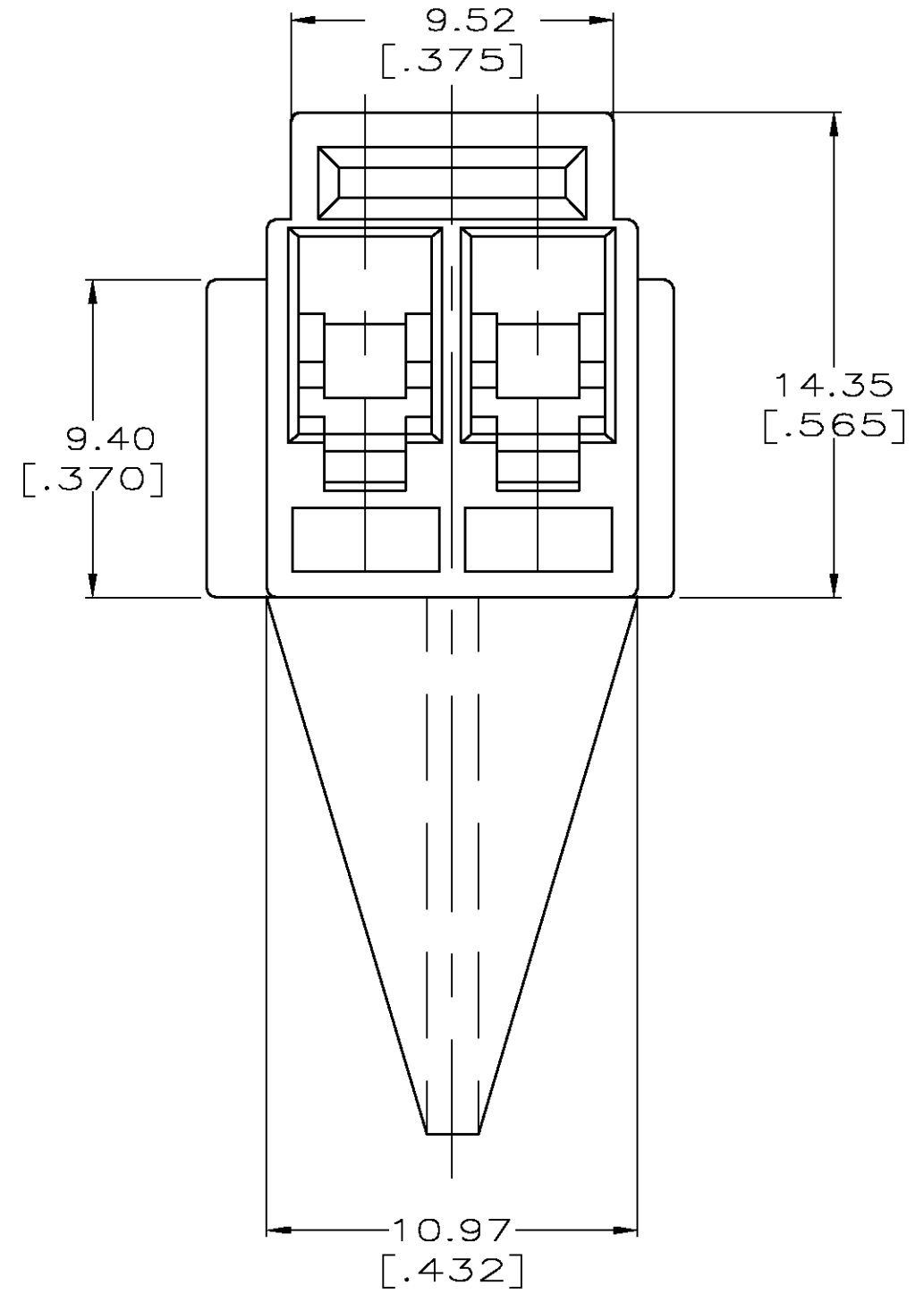
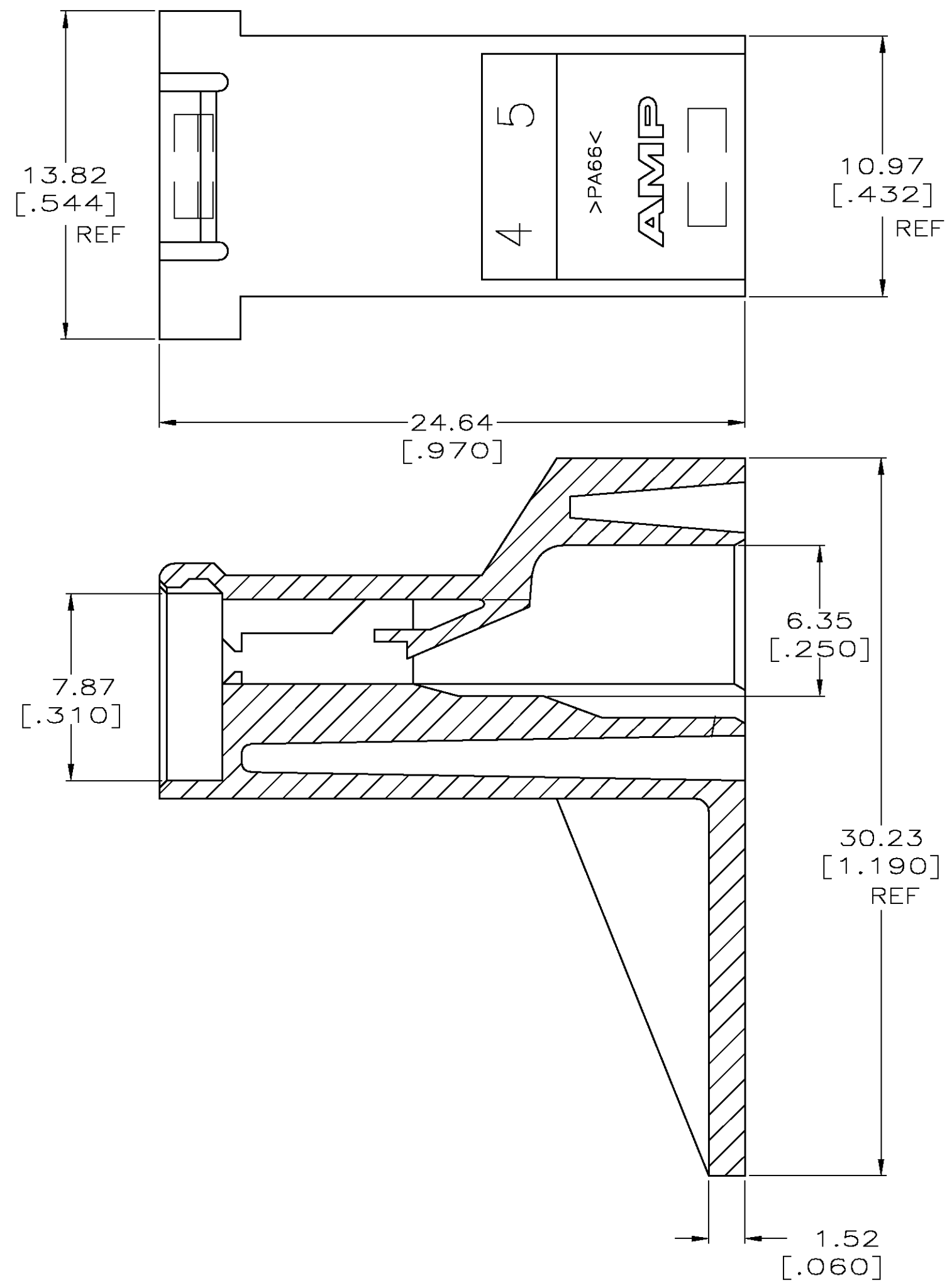
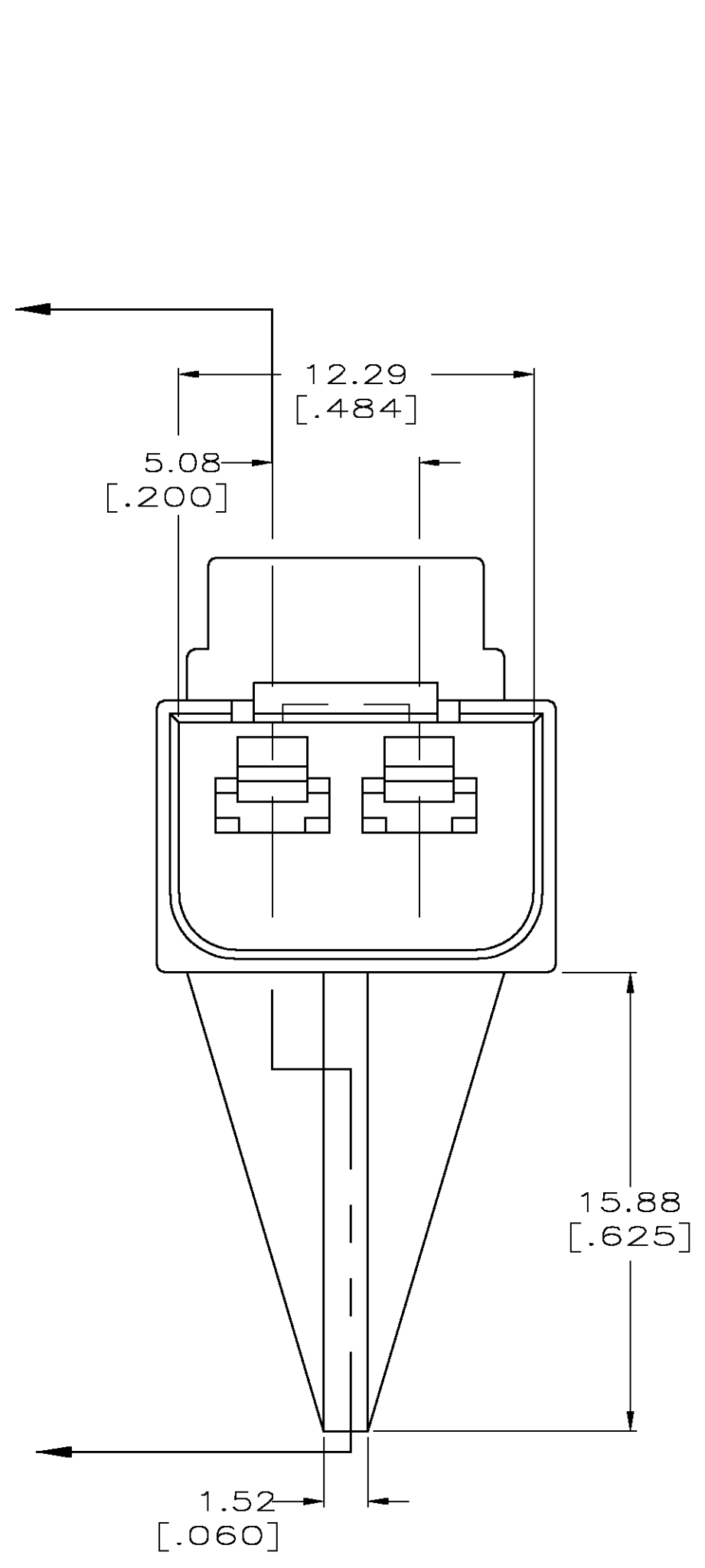


THIS DRAWING IS UNPUBLISHED. RELEASED FOR PUBLICATION
 © COPYRIGHT BY TYCO ELECTRONICS CORPORATION. ALL RIGHTS RESERVED.

LOC		DIST		REVISIONS			
P	LTR	DESCRIPTION		DATE	DWN	APVD	
AF	50	F		REVISED PER 0G3A-0971-04	16FEB05	JR	PD

1 HOUSING MAY BE USED WITH TERMINAL NUMBER 1217345 FOR TWO #18 AWG WIRES.



DESIRED TAB LENGTH

521306-1
PART NUMBER

THIS DRAWING IS A CONTROLLED DOCUMENT.		DWN MICHAEL S. FEHER 07OCT2003	Tyco Electronics Corporation Harrisburg, PA 17105-3608
DIMENSIONS: mm [INCHES]		CHK JEFF R. RUTH 07OCT2003	
TOLERANCES UNLESS OTHERWISE SPECIFIED:		APVD PETE DESANTIS 07OCT2003	NAME HOUSING, RECEPTACLE, FASTON, 2.79 [.110] SERIES
0 PLC ± -	1 PLC ± -	PRODUCT SPEC	SIZE A2
2 PLC ± 0.25 [.010]	3 PLC ± -	APPLICATION SPEC	CAGE CODE 00779
4 PLC ± -	ANGLES ± -	WEIGHT	DRAWING NO C=521306
MATERIAL 6/6 NYLON	FINISH NATURAL	CUSTOMER DRAWING	RESTRICTED TO -
		SCALE 5:1	SHEET 1 OF 1
		REV F	

单击下面可查看定价，库存，交付和生命周期等信息

[>>TE Connectivity\(泰科\)](#)