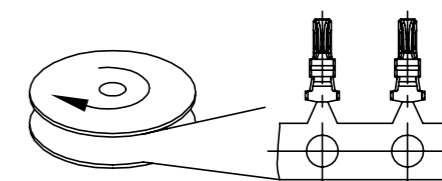


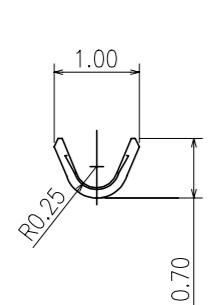
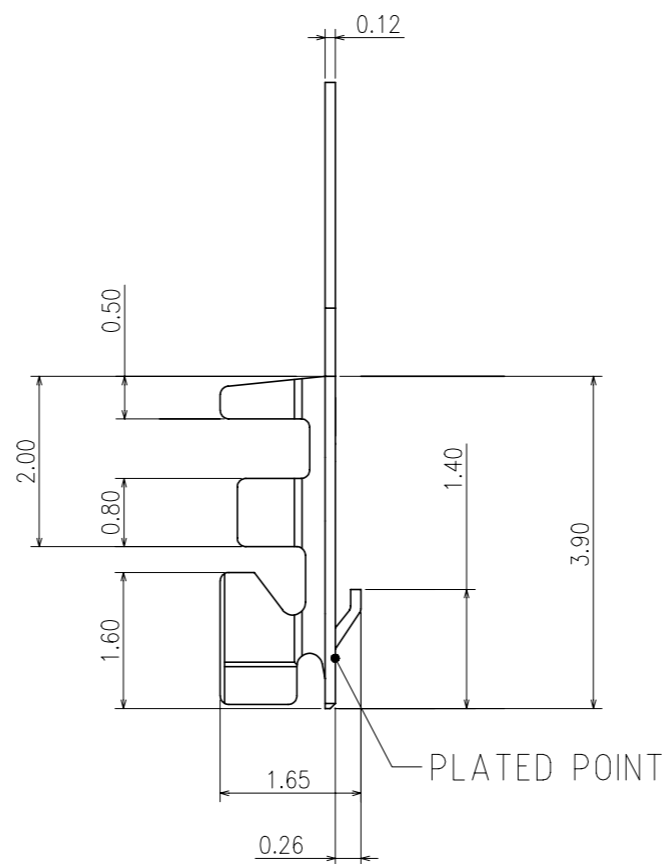
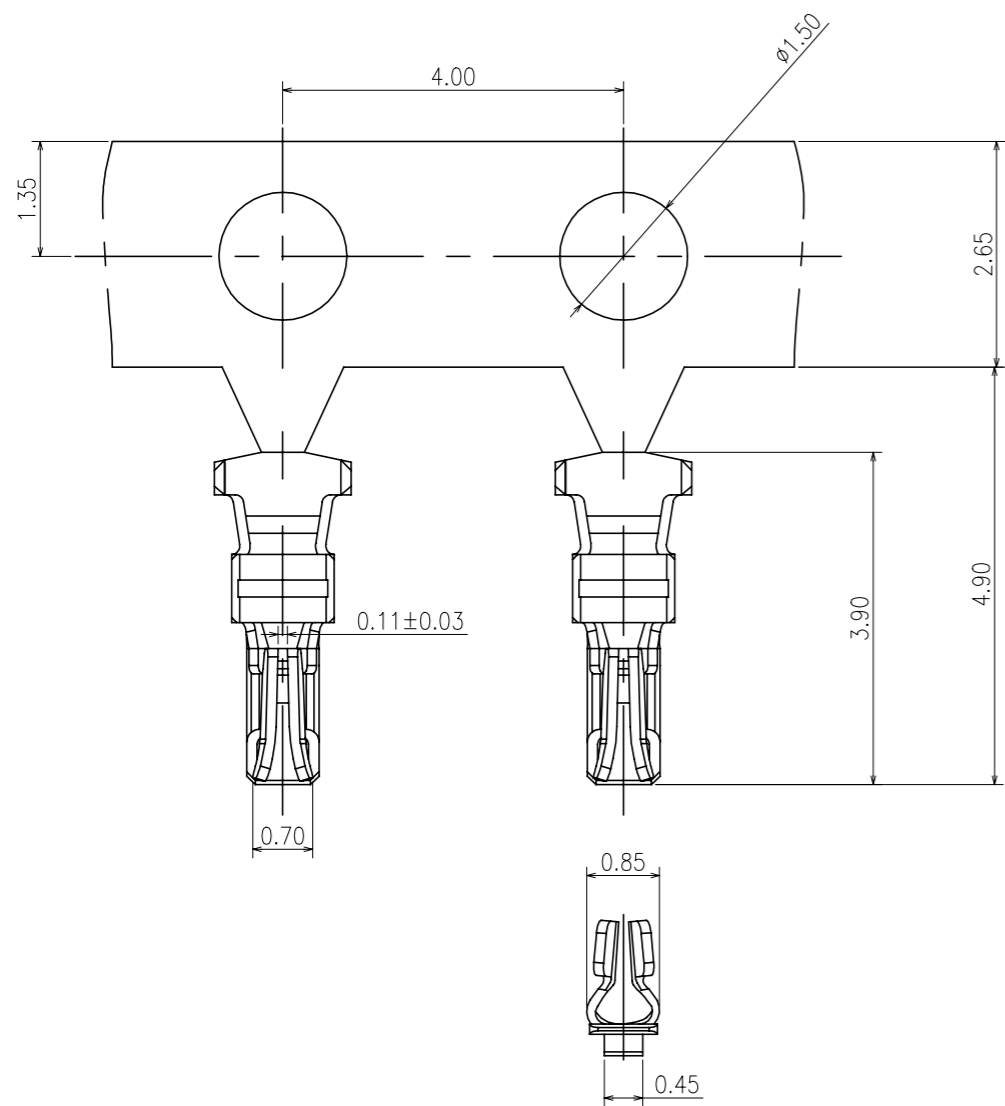
REVISIONS

P	LTR	DESCRIPTION	DATE	DWN	APVD
	A	REVISED	19AUG2020	J.J	W.H

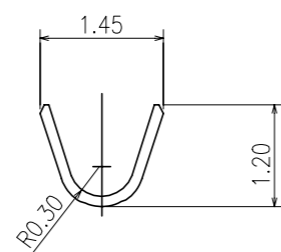
- NOTES:
 1. MATERIAL:PHOSPHOR BRONZE ,THICKNESS 0.12±0.02
 2. PLATING
 TYPE A: 50u"MIN NICKEL UNDER PLATING
 100u" MIN PURE TIN (LEAD FREE) OVER ALL.
 TYPE B: 50u"MIN NICKEL UNDER PLATING
 GOLD FLASH ON CONTACT AREA.
 3. Q'TY: 15K pcs/roll..



ROLL DIRECTION



WIRE BARREL



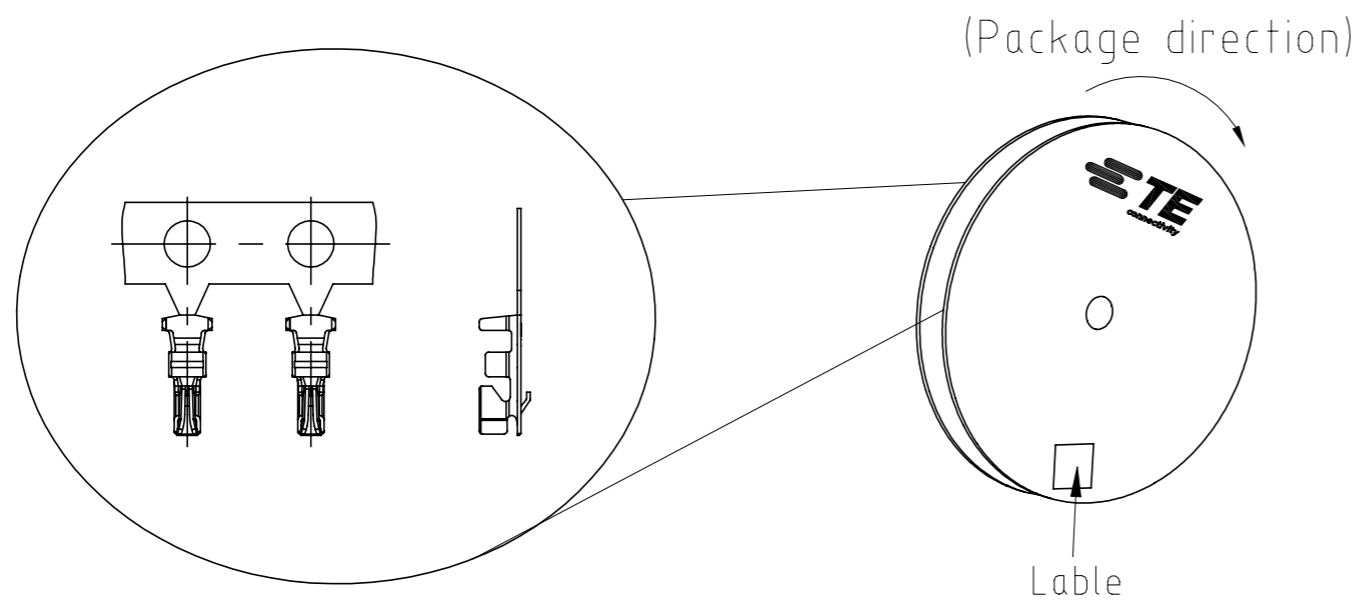
INSULATION BARREL

2367199-2	2367199-1
TYPE B	TYPE A
PLATING SPEC	
P/N	

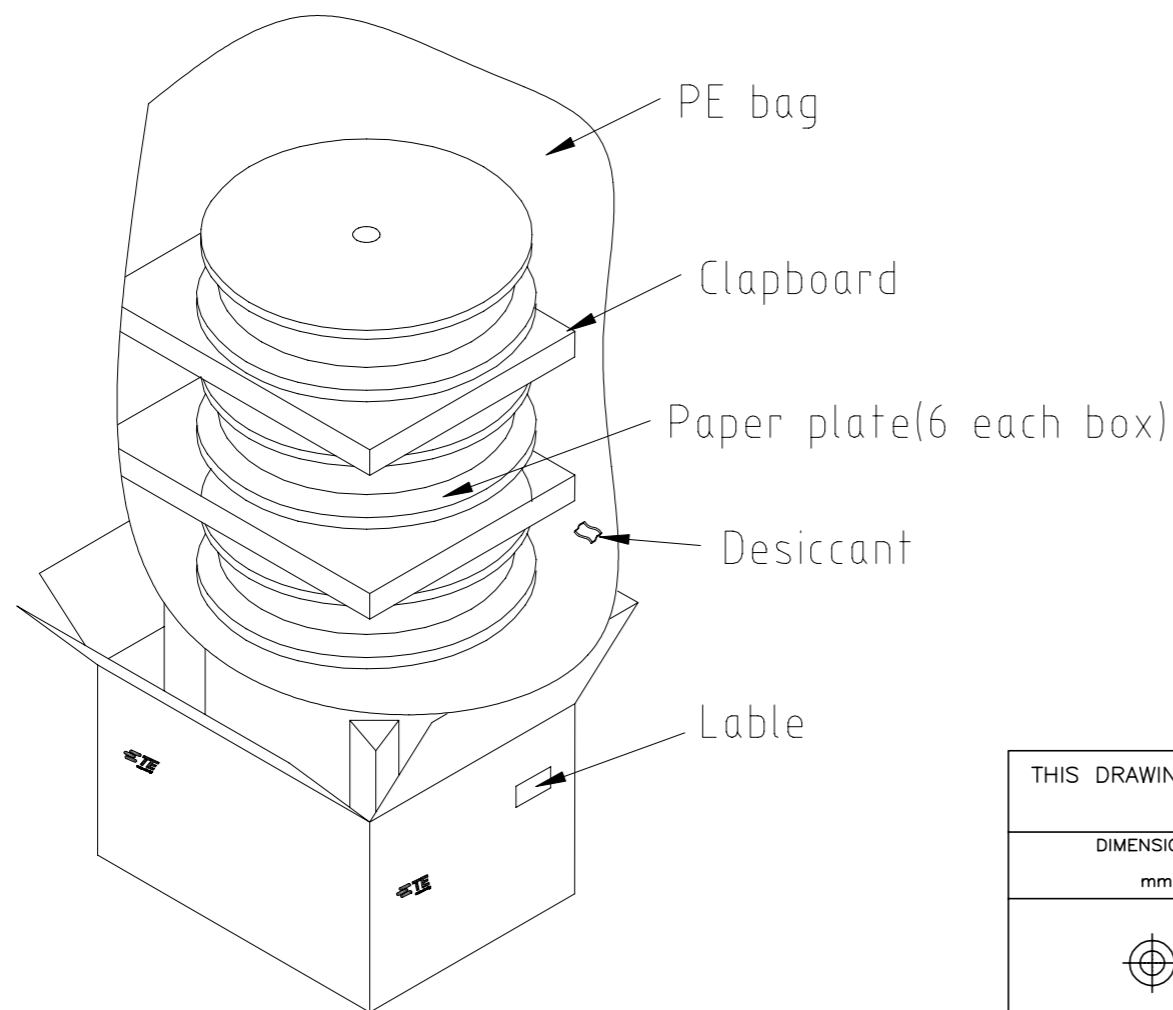
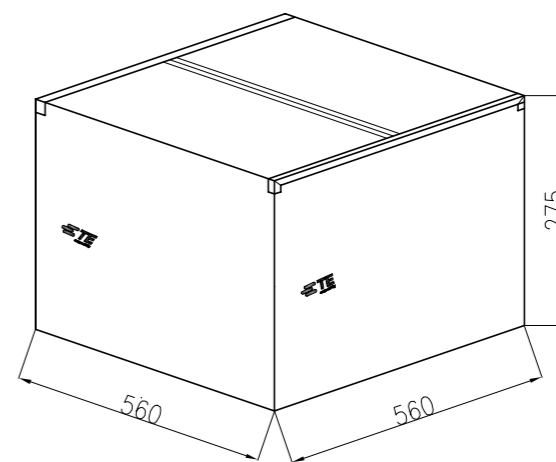
THIS DRAWING IS A CONTROLLED DOCUMENT.		DWN Tommy Qian 18DEC2019	TE TE Connectivity	
DIMENSIONS: mm		CHK Wenke He		
TOLERANCES UNLESS OTHERWISE SPECIFIED:		APVD Wenke He	NAME	
0 PLC ± 0.5		PRODUCT SPEC	1.0P WT B CABLE CONTACT WITH LATCH	
1 PLC ± 0.35		APPLICATION SPEC	-	
2 PLC ± 0.25		108-115169	SIZE	CAGE CODE
3 PLC ± 0.15		114-115031	A3	00779
4 PLC ± -		WEIGHT	DRAWING NO C=2367199	
ANGLES ± -		CUSTOMER DRAWING	RESTRICTED TO	-
MATERIAL SEE NOTE		FINISH -	SCALE N/A	SHEET 1 of 2
			REV	A

REVISIONS

P	LTR	DESCRIPTION	DATE	DWN	APVD
-	-	SEE SHEET 1	-	-	-



Notes:
Package for 2367199-x



P/N	Quantity/Plate (PCS)	Paper plate	Quantity/Box (PCS)
2367199-x	15K	550x30x25mm	90K

THIS DRAWING IS A CONTROLLED DOCUMENT.		DWN Tommy Qian 18DEC2019	TE Connectivity		
DIMENSIONS: mm		CHK Wenke He			
TOLERANCES UNLESS OTHERWISE SPECIFIED:		APVD Wenke He	PRODUCT SPEC		
 0 PLC ± 0.5 1 PLC ± 0.35 2 PLC ± 0.25 3 PLC ± 0.15 4 PLC ± 0.15 ANGLES ± 0.1 		108-115169	1.0P WTB CABLE CONTACT WITH LATCH		
MATERIAL SEE NOTE		FINISH -	APPLICATION SPEC 114-115031	RESTRICTED TO	
		WEIGHT	SIZE A3	CAGE CODE 00779	DRAWING NO C=2367199
CUSTOMER DRAWING			SCALE N/A	SHEET 2 of 2	REV A

单击下面可查看定价，库存，交付和生命周期等信息

[>>TE Connectivity\(泰科\)](#)