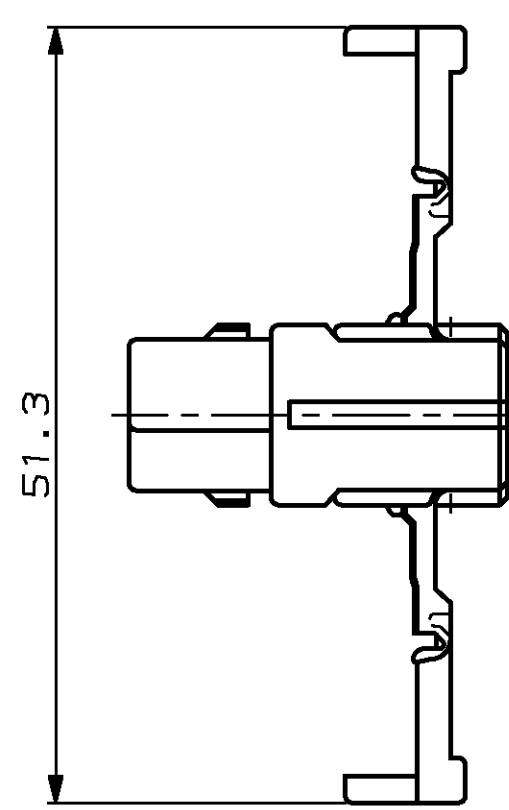
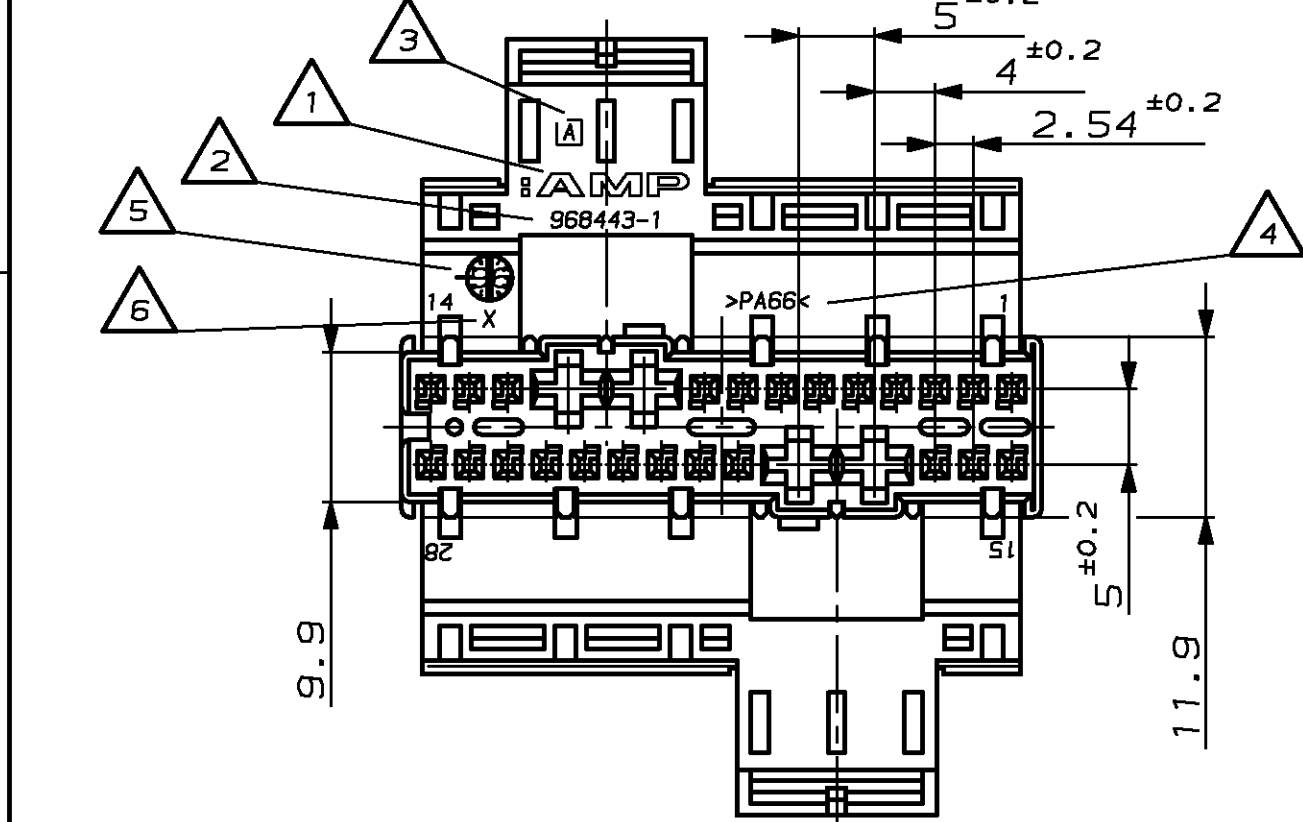
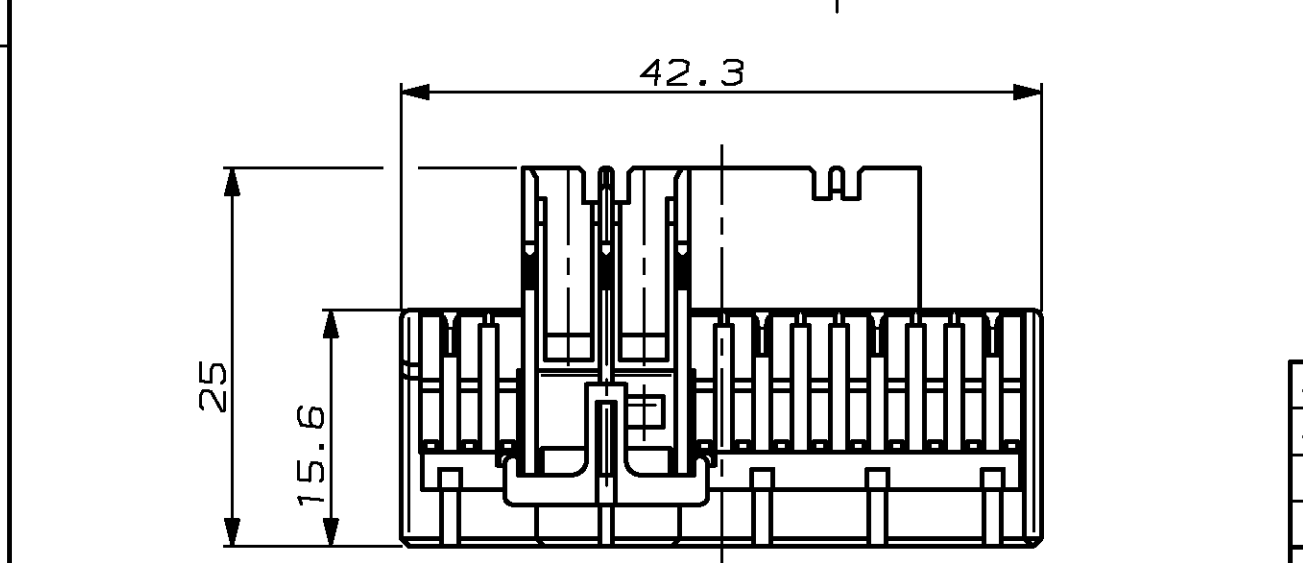


| REVISIONS | | DATE | DWN | APVD |
|--------------|-------------------------|-----------|--------|------|
| AENDERUNGEN | DESCRIPTION | | | |
| BESCHREIBUNG | | | | |
| A | Zeichnung erstellt | 27.02.96 | L.Post | - |
| A1 | SEE PCN EG00-0366-98-40 | 24-APR-98 | KBWWE | - |



Bemerkungen

- △ 1 AMP-Logo
AMP-LOGO
- △ 2 Bestell-Nummer
ORDER-NO.
- △ 3 Werkzeugänderungsindex
REVISION STATUS OF THE MOULD
- △ 4 Werkstoffkennzeichnung
MATERIAL MARKING
- △ 5 Produktionsdatum
PRODUCTION DATE
- △ 6 Feld für Nestmarkierung
FIELD FOR CAVITY MARKING
- △ 7 Strichzahl ist abhängig von der Verarbeitungsmaschine
PART NUMBER WILL BE DICTATED BY PROCESS



| JUNIOR-POWER-TIMER | 927 768-1 | 927 777-1 | 1.5 - 2.5 mm ² | CuFe2 | PRE TIN PLATED | 878 180-2 | 169 400 MATRIZE, 734 468 |
|--------------------|-----------|-----------|---------------------------|-------|----------------|-----------|-----------------------------|
| JUNIOR-POWER-TIMER | 927 771-1 | 927 779-1 | 0.5 - 1 mm ² | CuFe2 | PRE TIN PLATED | 878 181-2 | 169 400 MATRIZE, 169 917 |
| MODU IV | 963 720-1 | 965 969-1 | 0.2 - 0.50mm ² | CuSn | PRE TIN PLATED | 878 635-7 | - |
| MODU IV | 167 418-1 | 167 419-1 | 0.2 - 0.56mm ² | CuSn | PRE TIN PLATED | 872 006-7 | 169 481-1 |

| CONTACTS | AMP ORDER NUMBER | | WIRE RANGE | MATERIAL | FINISH | CRIMP TOOL | |
|----------|------------------|-------------|------------|----------|--------|------------|-----------------------------|
| | STRIP FORM | LOOSE PIECE | | | | APPLICATOR | HAND TOOL |
| - | - | 968443-1 | A | - | PA66 | schwarz | JPT/MODU IV Gehäuse, 28pol. |

| CUSTOMER PART NO | AMP PART NO | REV. | PCS. | MATERIAL | SURFACE COLOR | DESCRIPTION | ITEM NO |
|------------------|-------------|------|------|----------|---------------|-----------------------------|---------|
| - | 968443-1 | A | - | PA66 | schwarz | JPT/MODU IV Gehäuse, 28pol. | - |

| DIMENSIONS, DIMENSIONEN, mm | TOLERANCES UNLESS OTHERWISE SPECIFIED, ALL GEMEINSAME TOLERANZEN | DWN | DATE | CHK | DATE | APVD | NAME | PRODUCT SPEC | APPLICATION SPEC | WEIGHT | SIZE | CAGE CODE | DRAWING NO | RESTRICTED TO |
|-----------------------------|--|--------|-----------|---------|-----------|------|------|-----------------------------|--------------------|--------|------|-----------|------------|---------------|
| 0 PLC ±0.05 mm | 1 PLC ±0.05 mm | L.Post | 27-FEB-96 | J.Kunze | 28-FEB-96 | - | - | JPT/MODU IV-HOUSING, 28POS. | VERARBEITUNGSSPEZ. | - | A3 | 00779 | C-968 443 | NUR FUER |

单击下面可查看定价，库存，交付和生命周期等信息

[>>TE Connectivity\(泰科\)](#)