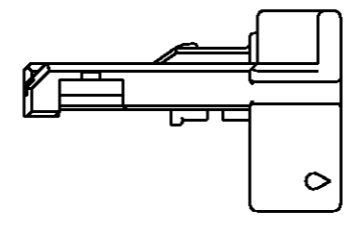
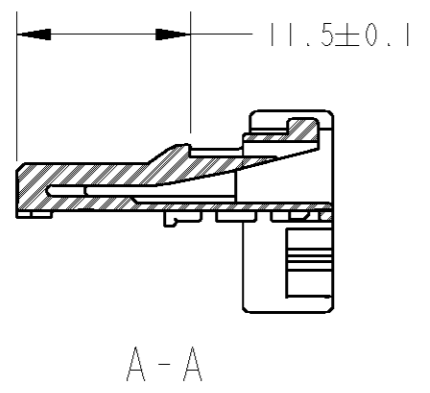
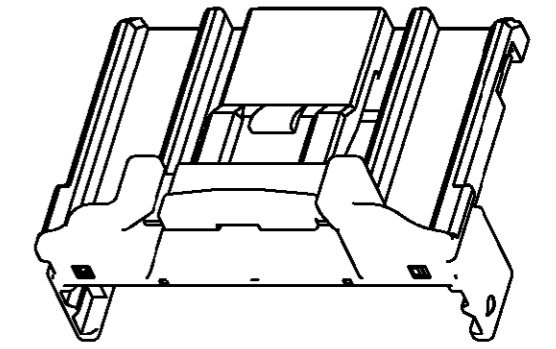
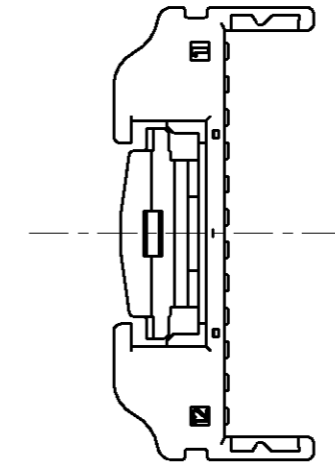
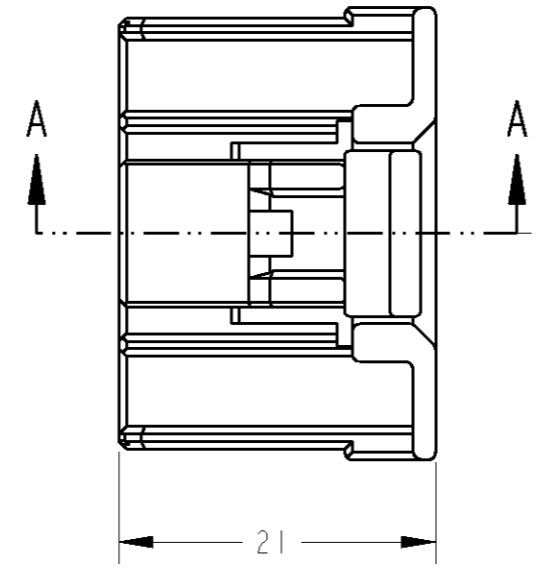
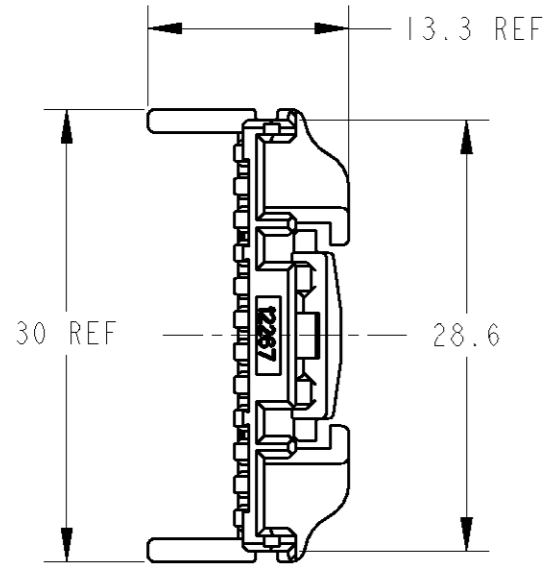


THIS DRAWING IS UNPUBLISHED. RELEASED FOR PUBLICATION 20
 © COPYRIGHT 20 BY TYCO ELECTRONICS CORPORATION. ALL RIGHTS RESERVED.

LOC	DIST	REVISIONS						
		P	LTR	DESCRIPTION	ECN	DATE	DWN	APVD
J		0		RELEASED	FJ00-2067-01	10OCT01	SA	NS



- 1. 本品はプラグハウジング型番 1473803を装着して使用する。
- 2. 取扱説明書; 411-5912
- 3. 嵌合相手型番; 1318853, 1376111, 1376103

- 1. PLUG HOUSING MUST BE USED WITH PLUG HOUSING P/N: 1473803
- 2. INSTRUCTION SHEET No; 411-5912
- 3. PART NUMBER OF HOUSINGS TO BE MATED; 1318853, 1376111, 1376103

NATURAL	1473804-1
HOUSING COLOR	PART NUMBER

THIS DRAWING IS A CONTROLLED DOCUMENT FOR TYCO ELECTRONICS CORPORATION IT IS SUBJECT TO CHANGE AND THE CONTROLLING ENGINEERING ORGANIZATION SHOULD BE CONTACTED FOR THE LATEST REVISION.		DWN	S. AMEMIYA	10OCT2001	AMP Tyco Electronics AMP K.K. Kawasaki, Japan
DIMENSIONS: 単位: 概 mm		CHK	N. SAI	10OCT2001	
TOLERANCES UNLESS OTHERWISE SPECIFIED: 一般公差; ±0.3		APVD	N. SAI	10OCT2001	NAME 名称
0-PLC ±		PRODUCT SPEC	108-5660		24POSITION LOCK HOUSING 025 IDC CONNECTOR
1-PLC ±0.1		APPLICATION SPEC	114-5276		
2-PLC ±0.01		WEIGHT	1.9 g		SIZE
3-PLC ±0.001		CUSTOMER DRAWING	A3		CAGE CODE
4-PLC ±0.0001			00779		DRAWING NO
ANGLES ±3°00'		C=1473804		RESTRICTED TO	
MATERIAL 材料	PBT	FINISH 仕上		SEE TABLE	SCALE 尺度
				2:1	SHEET 1 OF 1
					REV 0

单击下面可查看定价，库存，交付和生命周期等信息

[>>TE Connectivity\(泰科\)](#)